

UNDERCOUNTER SINK K-3158

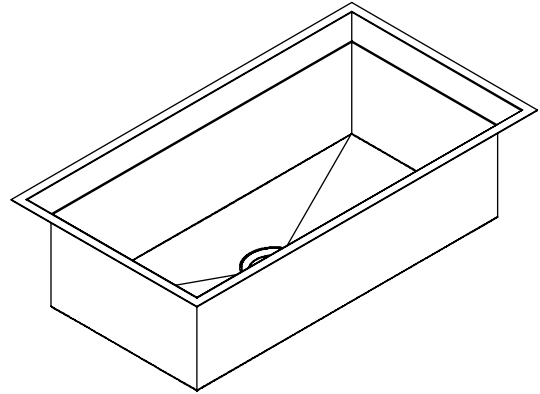
Features

- 16-gauge stainless steel
- Mirror finished rim (-H)
- Undercounter
- Single compartment
- Includes cutting board and bottom basin rack
- Includes installation hardware
- 29" (73.7 cm) x 14" (35.6 cm)

Codes/Standards Applicable

Specified model meets or exceeds the following:

- ASME A112.19.3/CSA B45.4



Colors/Finishes

- NA: None applicable

Accessories:

- CP: Polished Chrome
- ST: Stainless Steel
- NA: None applicable
- Other: Refer to Price Book for additional colors/finishes

Specified Model

Model	Description	Colors/Finishes	
K-3158	Undercounter sink with cutting board and bottom basin rack	<input type="checkbox"/> NA	
K-3158-H	Undercounter sink with mirror finished rim, cutting board and bottom basin rack	<input type="checkbox"/> NA	
Included Accessories			
K-3140	Bamboo cutting board	<input type="checkbox"/> NA	
K-3141	Bottom basin rack	<input type="checkbox"/> ST	
Optional Accessories			
K-2989	Countertop cutting board	<input type="checkbox"/> NA	
K-8801	Duostrainer® sink strainer	<input type="checkbox"/> CP	<input type="checkbox"/> Other_____

Product Specification

The undercounter sink shall be 29" (73.7 cm) in length and 14" (35.6 cm) in width. Sink shall be made of 16 gauge stainless steel. Sink shall have mirror finished rim (-H). Sink shall be single compartment. Sink shall include installation hardware, cutting board, and bottom basin rack. Sink shall be Kohler Model K-3158-_____.

Technical Information

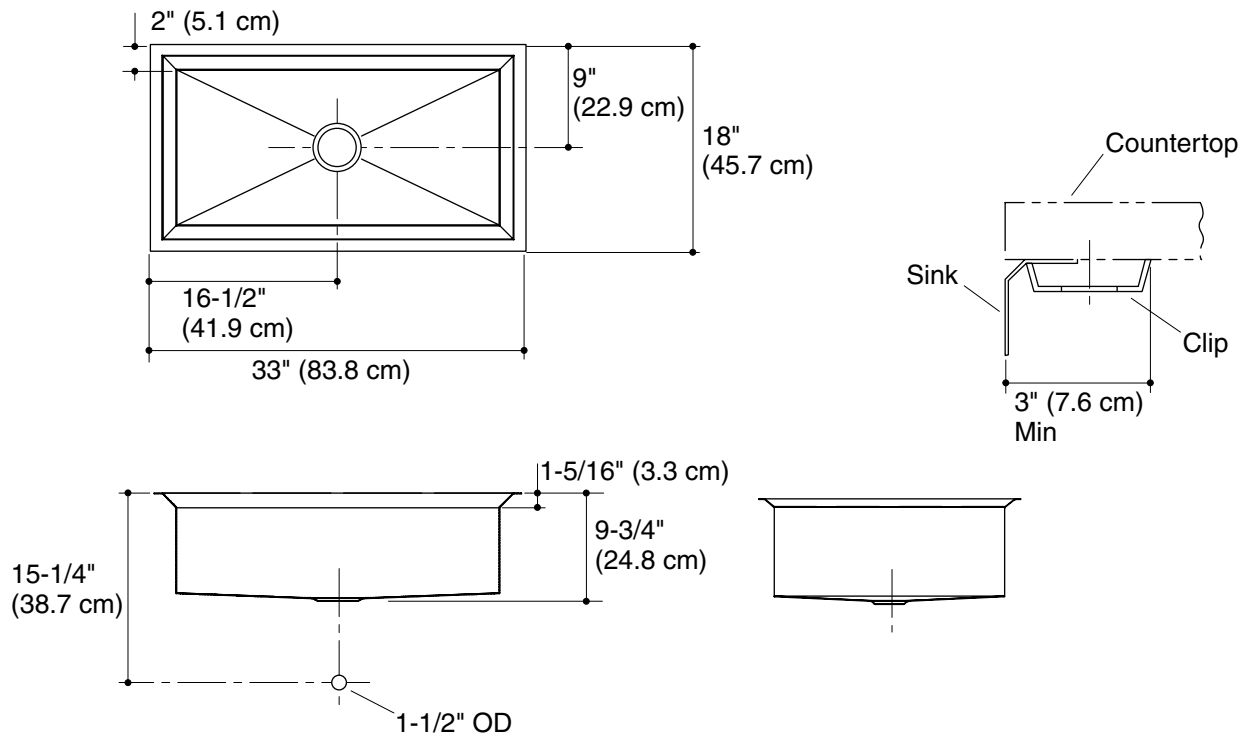
Fixture*:	
Basin area	29" (73.7 cm) x 14" (35.6 cm)
Water depth	9-1/2" (24.1 cm)
Drain hole	3-5/8" (9.2 cm) D.
*Approximate measurements for comparison only.	

Included components:	
Hardware kit	91915
Cut-out template	1021992-7
Sink	K-3387
Bamboo cutting board	K-3140
Bottom basin rack	K-3141

Installation Notes

Install this product according to the installation guide.

Allow a minimum of 3" (7.6 cm) clearance around the sink rim for clip attachment.



Product Diagram