

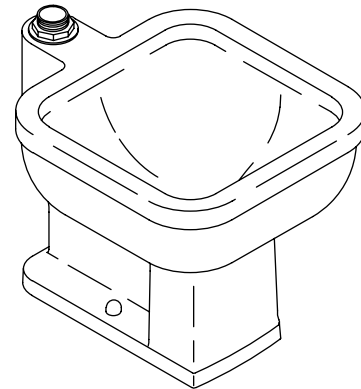
#### Features

- Vitreous china
- 1-1/2" top spud
- Siphon jet flushing rim
- Includes installation hardware
- 26-5/8" (67.6 cm) x 21" (53.3 cm) x 20" (50.8 cm)

#### Codes/Standards Applicable

Specified model meets or exceeds the following:

- ASME A112.19.2
- IAPMO/UPC
- CSA B45



#### Colors/Finishes

- 0: White

#### Accessories:

- ST: Stainless Steel
- NA: None applicable

#### Specified Model

Model	Description	Colors/Finishes
K-6676	Service sink	<input type="checkbox"/> 0
<b>Recommended Accessories</b>		
K-8935	Stainless steel rim guard	<input type="checkbox"/> ST
21401	Floor bolts (pair)	<input type="checkbox"/> NA

#### Product Specification

The service sink shall be made of vitreous china. Sink shall have a 1-1/2" top spud. Sink shall have siphon jet flushing rim. Sink shall include installation hardware. Sink shall be 20" (50.8 cm) in length and 21" (53.3 cm) in width. Sink shall be Kohler Model K-6676-0.

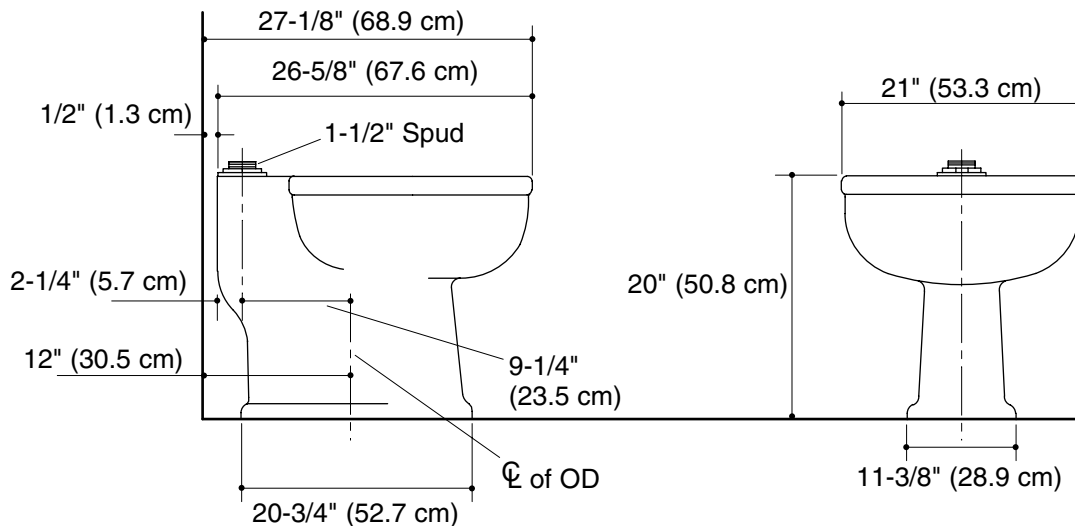
# TYRRELL™

## Technical Information

Fixture*:	
Basin area	17" (43.2 cm) x 17" (43.2 cm)
Water depth	7-5/8" (19.4 cm)
Water surface	12" (30.5 cm) x 12" (30.5 cm)
Drain hole	2-5/8" (6.7 cm) D.
Spud hole	2-1/4" D.
Passageway	2-1/2" (6.4 cm) D.
Minimum running pressure required	25 psi (2 kg/cm <sup>2</sup> )
* Approximate measurements for comparison only.	
Included components:	
1-1/2" spud	18357
Bolt caps (pair)	52048

## Installation Notes

Install this product according to the installation guide.



## Product Diagram