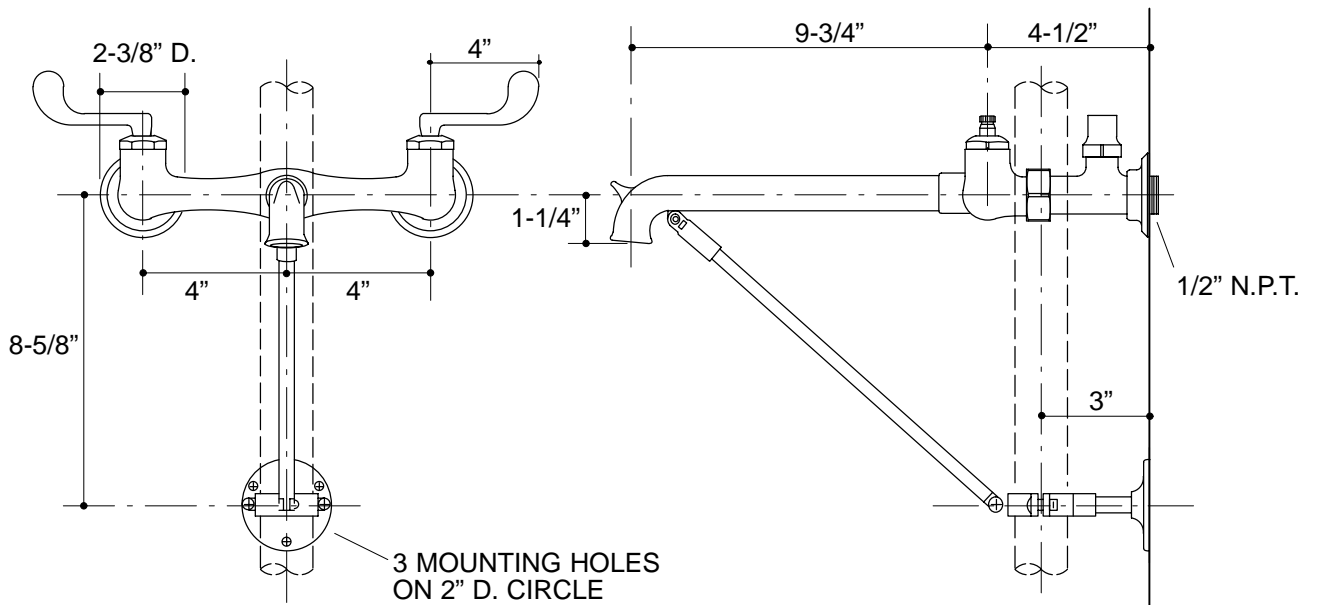


Ordering Information

| | |
|---|-----------|
| Applicable faucet: | |
| Wristblade handles | K-7309-5A |
| ADA Wristblade handles are ADA compliant | |



316

K-7309-5A Service Sink Faucet
115061-1-AA (9619)

NOTES: