

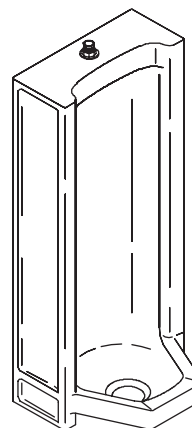
#### Features

- Vitreous china
- Washout stall
- 3/4" rear spud
- ADA compliant
- 1 gpf (3.78 lpf)

#### Codes/Standards Applicable

Specified model meets or exceeds the following:

- ADA
- ASME A112.19.2
- IAPMO/UPC
- ICC/ANSI A117.1
- Energy Policy Act of 1992 (EPACT)
- CSA B45



#### Colors/Finishes

- 0: White
- Other: Refer to Price Book for additional colors/finishes

#### Accessory:

- 0: White
- G: Brushed Chrome
- NA: None applicable

#### Specified Model

Model	Description	Colors/Finishes	
K-4920-T	3/4" top spud stall urinal	<input type="checkbox"/> 0	<input type="checkbox"/> Other_____
<b>Recommended Accessories</b>			
K-9172	Strainer with china grate	<input type="checkbox"/> NA	
K-9183	Strainer with stainless steel beehive grate	<input type="checkbox"/> NA	
<b>Optional Accessories</b>			
K-4931	Seam cover [for urinal set on 21" (53.3 cm) centers]	<input type="checkbox"/> 0	<input type="checkbox"/> Other_____
K-4932	Seam cover [for urinal set on 24" (61 cm) centers]	<input type="checkbox"/> 0	<input type="checkbox"/> Other_____
K-13686	Touchless battery-powered urinal flush valve, fixture mounted	<input type="checkbox"/> G	

#### Product Specification

Washout stall urinal shall be made of vitreous china with a 3/4" top spud. Urinal shall be ADA compliant. Urinal shall use 1 gpf (3.78 lpf). Urinal shall be Kohler Model K-4920-T-\_\_\_\_\_.

# BRANHAM™

## Technical Information

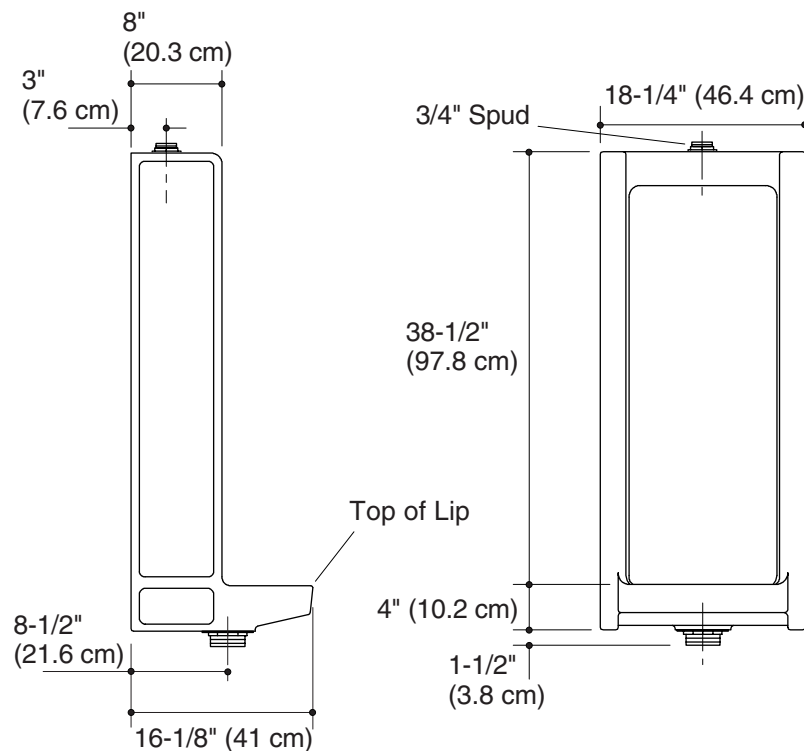
Fixture is ADA compliant. <span style="border: 1px solid black; padding: 2px;">ADA</span>	
Fixture:	
Configuration	Top spud
Water per flush	1 gal* (3.78 L)
Spud inlet size	3/4"
* Designed to flush with one gallon (3.78 L) of water when installed with a water-saving flush valve.	
Included component:	
Spud	18774

## Installation Notes

Install this product according to the installation guide.

For proper drainage, install lip of urinal below floor level.

Refer to manufacturer's instructions and local codes for flush valve requirements.



## Product Diagram