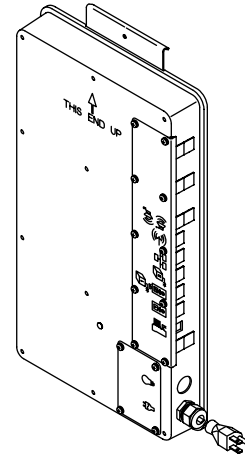


## MEDIA MODULE K-638-K

### Features

- Provides connections for digital mixing valve, 2 digital interfaces, incandescent lighting, audio, Ethernet, and steam or other peripheral
- Water-resistant construction
- Ethernet, (2) 1-speaker, (2) 2-speaker and audio line-in cables available in an accessory kit
- Knockout and fitting provided for high voltage lighting connection
- Mounts within a standard 2x4 wall
- Adjustable bracket allows easy installation in a 13'-19' (33 cm - 48.3 cm) stud pocket



### Codes/Standards Applicable

Specified model meets or exceeds the following:

- Underwriters Laboratories (UL 1951)
- CSA International
- CSA C22.2 No. 14
- FCC Part 15

### Colors/Finishes

- NA: None applicable

### Accessories:

- Other: Refer to Price Book for additional colors/finishes

### Specified Model

Model	Description	Colors/Finishes		
K-638-K	Media module	<input type="checkbox"/> NA		
<b>Required Accessories</b>				
K-694	Landscape digital interface <b>OR</b>	<input type="checkbox"/> 1CP	<input type="checkbox"/> 1SN	<input type="checkbox"/> 1AF
K-695	Portrait digital interface	<input type="checkbox"/> 1CP	<input type="checkbox"/> 1SN	<input type="checkbox"/> 1AF
<b>Optional Accessories</b>				
K-657	Landscape auxiliary digital interface <b>OR</b>	<input type="checkbox"/> 1CP	<input type="checkbox"/> 1SN	<input type="checkbox"/> 1AF
K-658	Portrait auxiliary digital interface	<input type="checkbox"/> 1CP	<input type="checkbox"/> 1SN	<input type="checkbox"/> 1AF
K-682-K	Digital mixing valve	<input type="checkbox"/> NA		
K-8034	Lighted Rain Panel	<input type="checkbox"/> Other _____		
K-1695	Fast-Response™ Steam Generator, 5 kW	<input type="checkbox"/> NA		
K-1708	Fast-Response Steam Generator, 7 kW	<input type="checkbox"/> NA		
<b>Optional accessories continued on next page.</b>				

### Product Specification

The media module shall provide connections for digital mixing valve, 2 digital interfaces, incandescent lighting, audio, Ethernet and steam or other peripherals. Cables for the Ethernet, (2) 1-speaker, (2) 2-speaker and audio line-in are available in an accessory kit. The media module shall be of water-resistant construction and include a knockout and fitting for connecting high voltage lighting. Media module shall mount within a standard 2x4 wall, within a 13"-19" (33 cm - 48.3 cm) stud pocket, using an adjustable bracket. Media module shall be Kohler Model K-638-K-NA.

### Optional Accessories, continued

K-1733	Fast-Response Steam Generator, 9 kW	<input type="checkbox"/> NA
K-1734	Fast-Response Steam Generator, 11 kW	<input type="checkbox"/> NA
K-1696	Fast-Response Steam Generator, 13 kW	<input type="checkbox"/> NA
K-1713	Fast-Response Steam Generator, 5 kW	<input type="checkbox"/> NA
K-1714	Fast-Response Steam Generator, 18 kW	<input type="checkbox"/> NA
K-1715	Fast-Response Steam Generator, 22 kW	<input type="checkbox"/> NA
K-1697	Fast-Response Steam Generator, 26 kW	<input type="checkbox"/> NA
K-1716	Fast-Response Steam Generator, 30 kW	<input type="checkbox"/> NA
K-1737	RS485 Adapter for steam generator with single steam head	<input type="checkbox"/> Other _____
K-1838	RS485 Adapter for steam generator with dual steam heads	<input type="checkbox"/> Other _____
K-8033	Speaker (requires K-10609-A, 2-speaker kit <b>OR</b> K-10609-B, 4-speaker kit)	<input type="checkbox"/> Other _____

### Required Electrical Service

Dedicated circuit required, protected with Class A Ground-Fault Circuit-Interrupter (GFCI) or Earth-Leakage Circuit-Breaker (ELCB):

Locate a 120 V outlet within close proximity to the media module.

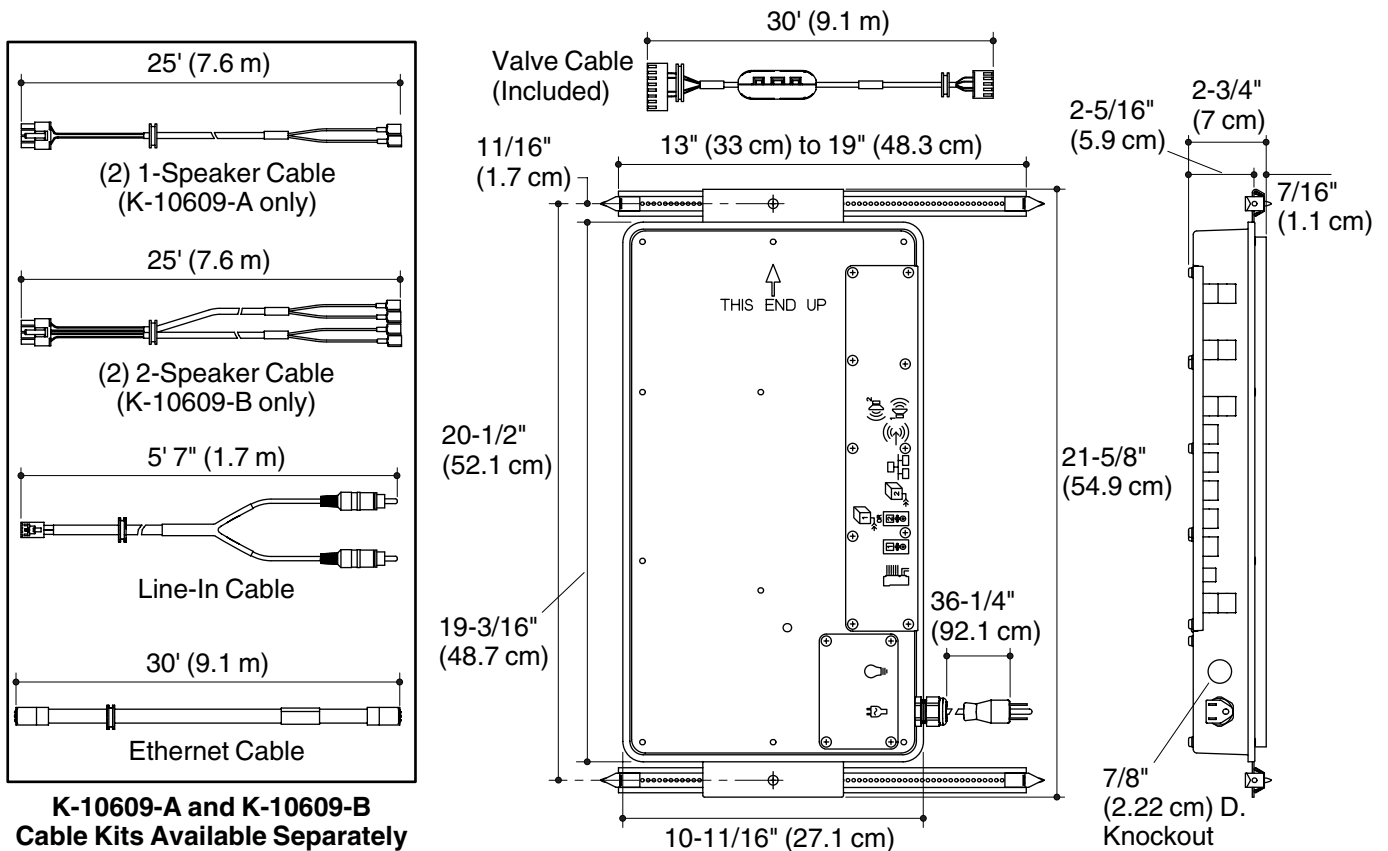
### Installation Notes

Install this product according to the installation guide.

Media module may be mounted in the same wall cavity as the digital mixing valve.

A 3' (0.9 m) power cord provided or unit may be hard-wired.

Provide access for servicing.



### Product Diagram