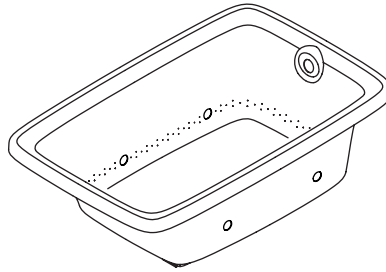


Homeowners Guide

Bath with Airjets

K-1158



M product numbers are for Mexico (i.e. K-12345**M**)
Los números de productos seguidos de **M** corresponden a México
(Ej. K-12345**M**)
Français, page "Français-1"
Español, página "Español-1"

THE BOLD LOOK
OF **KOHLER**®

Important Information

INSTRUCTIONS PERTAINING TO A RISK OF FIRE, ELECTRICAL SHOCK, OR INJURY TO PERSONS READ AND FOLLOW ALL INSTRUCTIONS SAVE THESE INSTRUCTIONS



WARNING: When using electrical products, basic precautions should always be followed, including the following:



DANGER: Risk of personal injury. To reduce the risk of injury, do not permit children to use this unit unless they are closely supervised at all times.



WARNING: Risk of personal injury. To avoid injury, exercise care when entering or exiting the bath with airjets.



WARNING: Risk of electric shock. Do not permit electric appliances (such as a hair dryer, lamp, telephone, radio, or television) within 5' (1.5 m) of this bath with airjets.



WARNING: The use of alcohol, drugs, or medication can greatly increase the risk of fatal hyperthermia. Prolonged immersion in hot water may induce hyperthermia. Hyperthermia occurs when the internal temperature of the body reaches a level several degrees above the normal body temperature of 98.6° F (37° C). The symptoms of hyperthermia include an increase in the internal temperature of the body, dizziness, lethargy, drowsiness, and fainting. The effects of hyperthermia include: (a) failure to perceive heat, (b) failure to recognize the need to exit the bath, (c) unawareness of impending hazard, (d) fetal damage in pregnant women, (e) physical inability to exit the bath, and (f) unconsciousness resulting in the danger of drowning.

An equipment grounding terminal is provided in the field wiring compartment. To reduce the risk of electric shock, this terminal must be connected to the grounding means provided in the electric supply panel with a conductor equivalent in size to the circuit conductors supplying this bath with airjets.

A pressure wire connector is provided on the exterior of the blower motor or control within this unit to permit connection of a bonding conductor between this unit and all other exposed metal in the vicinity, as needed to comply with local requirements.

Use this bath with airjets only for its intended purpose as described in this manual. Do not use attachments not recommended by the manufacturer.

Never drop or insert any object into any opening.

The bath with airjets must be connected only to a supply circuit that is protected by a Ground-Fault Circuit-Interrupter (GFCI) or Earth-Leakage Circuit-Breaker (ELCB). Such a GFCI or ELCB should be provided by the installer and should be tested on a routine basis. To test the GFCI or ELCB, press the test button. The GFCI or ELCB should interrupt power. Press the reset button. Power should be restored. If the GFCI or ELCB fails to operate in this manner, the GFCI or ELCB is defective. If the GFCI or ELCB interrupts power to the bath without the test button being pressed, a ground current is flowing, indicating the possibility of an electric shock. Do not use this bath. Disconnect the bath and have the problem corrected by a qualified service representative before using.

Your new Kohler bath with airjets has been listed by Underwriter's Laboratories, thus ensuring safety for you and your family. Your new bath with airjets also conforms to rigid ANSI and IAPMO standards set within the plumbing industry.

Table of Contents

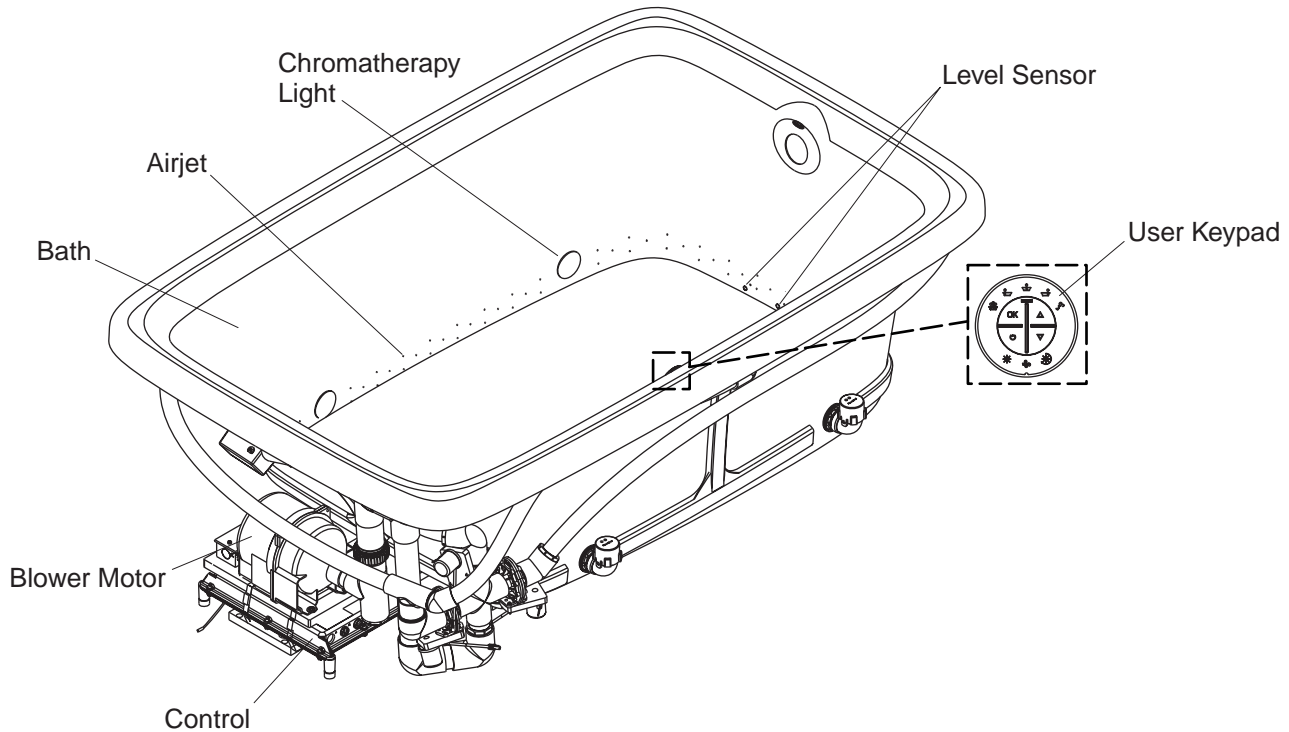
Important Information	2
Thank You For Choosing Kohler Company	3
Your Kohler Bath with Airjets	4
How to Use this Manual	4
User Keypad And Bath with Airjets Modes/Features	6
Operating Your Bath with Airjets	8
Chromatherapy Operation (if Equipped)	9
Care and Cleaning Instructions	9
One-Year Limited Warranty - USA and Canada	10
One-Year Warranty - For Mexico	10
Troubleshooting Procedures	12
Service Parts	16

Thank You For Choosing Kohler Company

Thank you for choosing The Bold Look of Kohler. Kohler craftsmanship offers you a rare combination of proven performance and graceful sophistication that will satisfy you for years to come. The dependability and beauty of your new bath with airjets will surpass your highest expectations. We're proud of our bath with airjets here at Kohler, and we know you will be too.

Please take a few minutes to study this Homeowners Guide before you use your bath with airjets. Pay special attention to the "Care and Cleaning" instructions in this manual.

All information in this manual is based upon the latest product information available at the time of publication. At Kohler, we constantly strive to improve the quality of our products. We reserve the right to make changes in product characteristics, packaging, or availability at any time without notice.



Your Kohler Bath with Airjets

Your new bath with airjets is designed to stimulate, invigorate, and energize your body. You will use the following components:

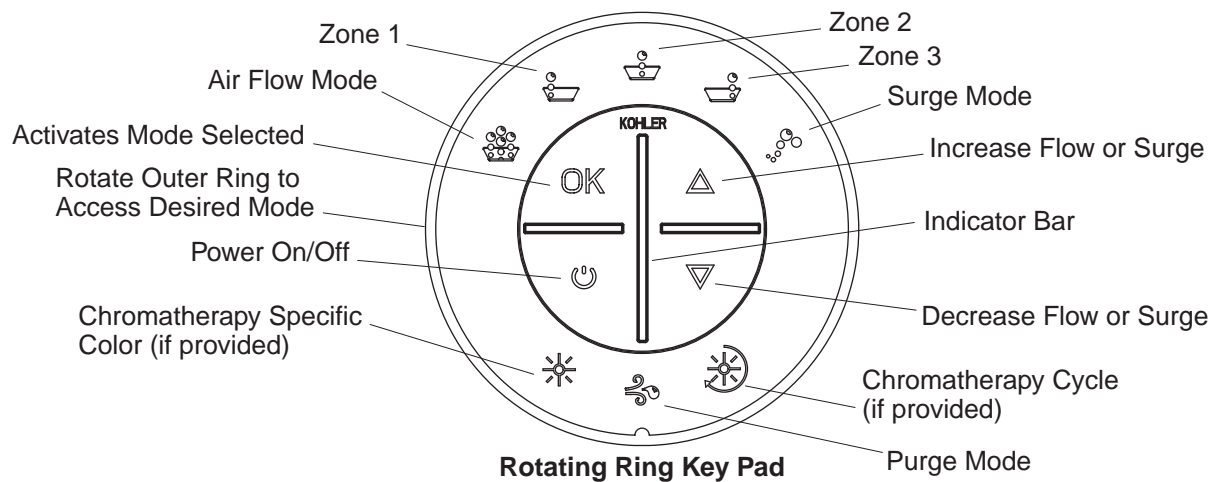
- **Bath** - Allows the bather to relax in comfort while enjoying the air massage.
- **User Keypad** - Located within easy reach, the keypad allows you to turn the bath on and off. It also allows you to access the airjet modes and adjust the airflow.
- **Airjets** - Holes through which the air flows.
- **Chromatherapy Lights (if provided)** - Adds ambience to your bath with a specific color or set the bath to continuously cycle through all eight colors.
- **Level Sensor** - Determines when the bath has been drained and starts the timing for the automatic purge cycle.
- **Blower Motor** - Provides quiet, variable speed power to force air through the airjets into the water and create the soothing bubbling action.

How to Use this Manual

- This manual is designed to help you troubleshoot any problems that may develop with the operation of the bath with airjets.
- If a problem occurs, refer to the "Troubleshooting" section to determine a probable cause.
- Check the "Service Parts" section to determine the part numbers for any replacement parts necessary.

How to Use this Manual (cont.)

- Use the information on the back cover of this manual to contact Kohler Company to order parts, or for help if you cannot correct the problem.

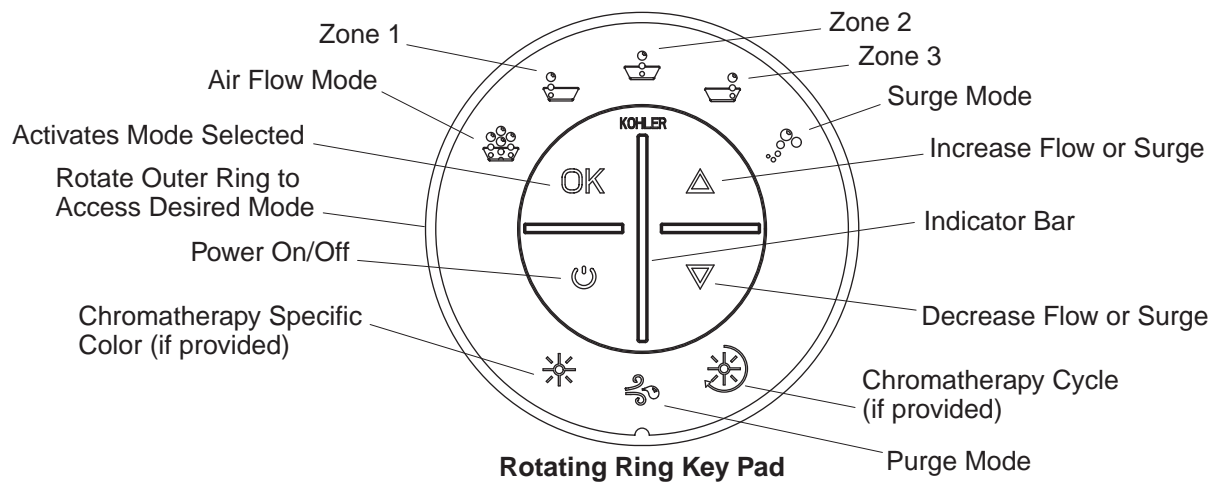


User Keypad And Bath with Airjets Modes/Features

- **Power On/Off** - Turns the blower motor on and off. Symbols illuminated in blue indicate available modes/features. Modes which are operating will display in green.
- **Activate Button** - Press "OK" to activate the desired mode. The active mode will flash (green).
- **Up Arrow** - Increases the air flow when the air flow mode is active. Increases the pulse speed when the surge mode is active.
- **Down Arrow** - Decreases the air flow when the air flow mode is active. Decreases the pulse speed when the surge mode is active.
- **Outer Ring** - Rotate the outer ring to the desired mode. The selected mode will flash (blue).
- **Indicator Bar** - Shows the air flow volume when operating in the air flow mode. Shows the surge speed when operating in the surge mode.
- **Purge Mode** - Select to initiate the purge mode manually. The purge cycle will not start if there is water in the bath with airjets. The purge mode blows any residual water out of the air channels. The blower motor starts and runs at a low speed for about two minutes. An automatic purge cycle occurs when the bath is drained and the water level falls below the level sensors.
- **Air Flow Mode** - In this mode, air flow is directed through any combination of the airjets in the selected zones. Air flow can be adjusted with the arrow buttons. When the surge mode is selected, the air flow mode stops. When the air flow mode is selected while operating in the surge mode, the surge mode stops.
- **Zone 1** - This mode is used to select or deselect the air flow through Zone 1.
- **Zone 2** - This mode is used to select or deselect the air flow through Zone 2.
- **Zone 3** - This mode is used to select or deselect the air flow through Zone 3.
- **Surge Mode** - When active, the air flow ramps up from minimum to maximum and then down again to minimum. The surge speed is adjustable between approximately 10 seconds to 60 seconds by using the up or down buttons. The up and down arrow buttons can be used to adjust the surge speed. Zones can be selected or deselected when in the surge mode.
- **Chromatherapy Cycle (if provided)** - Chromatherapy lights will automatically and continuously cycle through the eight colors; white, violet, indigo blue, aqua blue, green, yellow, orange and red. One cycle through all eight colors takes approximately one minute.
- **Chromatherapy Specific-Color (if provided)** - When this mode is selected, you may choose a specific color for the bath.

User Keypad And Bath with Airjets Modes/Features (cont.)

- **User Keypad “Sleep” Modes** - To enhance your bathing experience, the keypad is programmed to darken after approximately 15 seconds of inactivity. Only the last feature selected will remain illuminated. To resume normal operation, press any key or turn the outer ring. Approximately 60 seconds after all equipment is turned off, the keypad will darken completely to conserve power. Press the power button or turn the outer ring to reactivate the keypad.



Operating Your Bath with Airjets

Starting the Unit

If the unit does not function properly, please refer to the "Troubleshooting" section.

- Close the drain.
- Fill the bath to a level at least 2" (5 cm) above the top of the airjets.
- Use your hand to test the water temperature for comfort and safety.
- Carefully enter the bath basin.
- Press the On/Off button on the user keypad.
- Observe that the air system starts and air begins to flow to all zones.
- Observe that the chromatherapy lights (if provided) also begin operation in the cycling mode.
- If desired, adjust the air flow rate using the up button or the down button.
- After about 15 seconds, observe that only the last feature selected remains illuminated on the user keypad.

Selecting Air Flow Modes

- Rotate the outer ring to select a desired mode.
- Observe that the selected icon is flashing blue.
- Press the "OK" button to activate the mode.
- Observe that the active mode flashes green and the mode is implemented.
- Observe that, after about 15 seconds, the icon stops flashing.
- To turn off a mode, rotate the outer ring until the icon is flashing green and then press the "OK" button again.
- The icon will then turn blue indicating the mode is off.

Stopping the Bath

- When ready, press the power button a second time to stop the air system.
- Carefully exit the bath.
- Open the drain to empty the bath.

Operating Your Bath with Airjets (cont.)

- Observe that, when the bath drains below the level sensors, the automatic two-minute purge cycle occurs. The air system operates at a low speed to blow any residual water out of the air channels.
- Observe that, about 60 seconds after shutdown, all user keypad lights extinguish.

Initiating a Manual Purge Cycle

- After stopping the air system and draining the bath, rotate the ring on the user keypad to the purge icon.
- Observe that the purge cycle icon is flashing blue.
- Press the "OK" button once.
- The purge icon flashes green and the mode is implemented. The air system operates at a low speed to blow any residual water out of the air channels.
- After about two minutes, the air system stops automatically.

Chromatherapy Operation (if Equipped)

NOTE: Chromatherapy may be used with all modes of operation. Chromatherapy may also be used when the air system is not operating.

- **Chromatherapy Cycle** - When this mode is activated, the chromatherapy lights automatically and continuously cycle through the eight colors: white, violet, indigo blue, aqua blue, green, yellow, orange, and red. One cycle through all eight colors takes about one minute. Rotate the outer ring to select this mode and press "OK" to activate it. To turn off the lights, press the "OK" button while the chromatherapy mode is selected and active.
- **Chromatherapy Specific Color Selection** - When this mode is activated, you may choose a specific color for the bath. Rotate the outer ring to select this mode, press the "OK" button, and use the up/down buttons to reach the desired color. To turn off the lights, press the "OK" button while the chromatherapy mode is selected and active.

Care and Cleaning Instructions

Cleaning Your Acrylic Bath

- **Do not use powdered cleaners unless the cleaner is fully dissolved in water.** Solid substances could block the airjets.
- **Do not use full strength bleach or ammonia cleaning solutions.** Chemically active cleaning solutions can damage the bath surface.
- **Do not use abrasive cleansers or solvents on acrylic surfaces.** Abrasive cleaners and solvents can damage the bath surface.
- Wipe out your acrylic bath with a soft cloth after each use.
- Avoid detergents, disinfectants, or cleaning products in aerosol cans.
- If the surface gets excessively dirty you can use a general purpose cleaner such as: Formula 409[®] All Purpose Cleaner, Scrub Free[®] Mildew Stain Remover, Mr. Clean, Lemon Fresh, Cinch[®], Glass Plus[®], or Fantastik[®] All Purpose.

NOTE: To restore dull or scratched units: Apply white automotive polishing compound with a clean rag. Rub scratches and dull areas vigorously. Wipe off residue. Follow with a coat of white automotive paste wax. Do not wax areas where you walk or stand.

Cleaning Your User Keypad and Remote Control

- Use a soft cloth to wipe the keypad and remote control after each use. If the surface becomes dirty, use a non-abrasive soap and warm water to clean.

Maintaining the Airjets

Care and Cleaning Instructions (cont.)

- If cleaning the airjets is required due to hard water deposits, use a small between-the-teeth dental brush and white vinegar. Dip the brush in the vinegar, brush the hole, rinse the brush in clean water, and then use the wet rinsed brush to rinse the hole.
- Fill the bath with water to the top row of airjets. Drain the bath and press the purge button.

One-Year Limited Warranty - USA and Canada

KOHLER® plumbing fixtures, faucets and fittings are warranted to be free of defects in material and workmanship for one year from date of installation.

Kohler Co. will, at its election, repair, replace or make appropriate adjustment where Kohler Co. inspection discloses any such defects occurring in normal usage within one year after installation. Kohler Co. is not responsible for removal or installation costs.

To obtain warranty service, contact Kohler Co. either through your Dealer, Plumbing Contractor, Home Center or E-tailer, or by writing Kohler Co., Attn.: Customer Service Department, 444 Highland Drive, Kohler, WI 53044, USA, or by calling 1-800-4-KOHLER from within the USA, 1-800-964-5590 from within Canada and 001-877-680-1310 from within Mexico.

Implied warranties including that of merchantability and fitness for a particular purpose are expressly limited in duration to the duration of this warranty, Kohler Co. disclaims any liability for special, incidental or consequential damages. Some states/provinces do not allow limitations on how long an implied warranty lasts, or the exclusion or limitation of special, incidental or consequential damages so these limitations and exclusions may not apply to you. This warranty gives you specific legal rights. You may also have other rights which vary from state/province to state/province.

This is our exclusive written warranty.

Notes:

1. There may be variation in color fidelity between catalog images and actual plumbing fixtures.
2. Kohler Co. reserves the right to make changes in product characteristics, packaging or availability at any time with out notice.

COPYRIGHT © 1999, 2000, 2001, 2002 BY KOHLER CO.

One-Year Warranty - For Mexico

KOHLER CO.

It is recommended that at the time of purchase, you verify that all accessories and components are complete in this package.

This Kohler product is warranted to be free of defects in material and workmanship for one (1) year from the date of purchase as shown on the invoice or receipt.

1. Kohler Co. will only service its commercialized products through its authorized distributors.
2. To obtain warranty service, please present the invoice and corresponding warranty.
3. Through its authorized distributors, Kohler Co. promises to repair the defective product or provide a new replacement or an equivalent model (in those cases that the model has been discontinued) when the product is beyond repair, without any charge to the consumer.
4. The time of repair will not exceed six (6) weeks commencing on the date the product is received.
5. It is recommended that the consumer save the invoice or receipt as additional protection, as it may substitute the warranty in the case that there is a discrepancy in the validity of the warranty.

EXCEPTIONS AND RESTRICTIONS

The Warranty will not be valid in the following cases:

1. When the product is not operated in accordance with the instructions concerning use and operation set

One-Year Warranty - For Mexico (cont.)

forth in the owner's manual or installation instructions, and when the recommendations and warnings included are not observed.

2. When the product has been modified or dismantled partially or totally; or has been used in a negligent fashion and as a consequence has suffered damages attributable to the consumer, individual, or hardware not authorized by Kohler Co.

3. This warranty does not cover the damages as a result of disaster such as fire or acts of God, including flooding, earthquake, or electric storms, etc. To obtain a list of distributors in your area where you can exercise your rights under this warranty, please call 001-877-680-1310.

KOHLER CO., KOHLER, WI 53044 U.S.A.

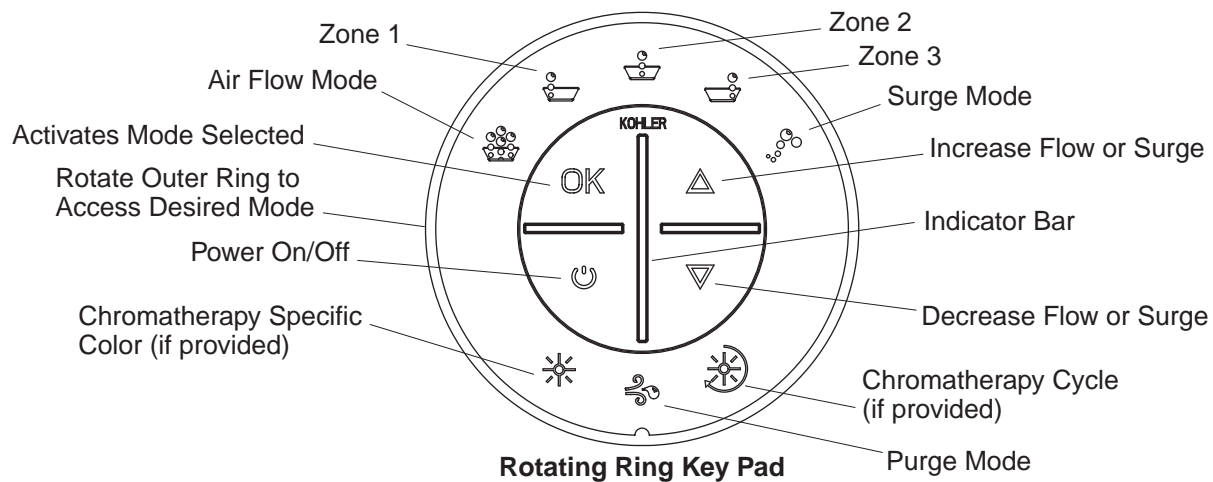
IMPORTER:

INTERNACIONAL DE CERÁMICA, S.A. DE C.V.

AV. CARLOS PACHECO NO. 7200

CHIHUAHUA, CHIH., MEXICO C.P. 31060

TEL: 52 (14) 29-11-11



1. Troubleshooting Procedures

This troubleshooting guide is for general aid only. A Kohler Authorized Service Representative or qualified electrician should correct all electrical problems. For warranty service, contact your dealer or wholesale distributor.

Troubleshooting the Bath System

Symptoms	Probable Causes	Recommended Action
1. User keypad does not illuminate when power button is pressed or the outer ring is rotated.	A. No power to control.	A. Check wiring and connect power.
	B. Ground-Fault Circuit-Interrupter (GFCI) or Earth-Leakage Circuit-Breaker (ELCB) tripped.	B. Reset GFCI or ELCB. If it trips again, refer to "Ground-Fault Circuit-Interrupter (GFCI) or Earth-Leakage Circuit-Breaker (ELCB) trips when unit is turned on".
	C. Wiring harness from user keypad to control is loose, disconnected or damaged.	C. Check wiring for proper connections. Replace the wiring harness if necessary. Refer to your installer or wholesale dealer.
	D. User keypad does not work.	D. Replace the user keypad. Refer to your installer or wholesale dealer.
	E. Control does not work.	E. Replace the control. Refer to your installer or wholesale dealer.
2. Ground-Fault Circuit-Interrupter (GFCI) or Earth-Leakage Circuit-Breaker (ELCB) trips when unit is turned on.	A. Electrical harness is wet or damaged.	A. Check for wet connections. Dry the connections and repair the leak. Check for insulation or connector damage. Replace the harness if damaged. Refer to your installer or wholesale dealer.
	B. Electrical wiring to the junction box is wet or damaged.	B. Have a qualified electrician diagnose and correct the problem in accordance with applicable building and electrical codes.

Troubleshooting Procedures (cont.)

Symptoms	Probable Causes	Recommended Action
	C. Electrical wiring to the power cord is wet or damaged.	C. Have a qualified electrician diagnose and correct the problem in accordance with applicable building and electrical codes.
	D. Blower motor does not work.	D. Replace the blower motor. Refer to your installer or wholesale dealer.
	E. Control does not work.	E. Replace the control. Refer to your installer or wholesale dealer.
3. User keypad is illuminated, but does not respond to buttons or outer ring.	A. Control program is locked.	A. Reset GFCI or ELCB.
	B. P5 plug assembly harness from user keypad to control is loose, disconnected, or damaged.	B. Check wiring for proper connections. Replace the wiring harness if necessary. Refer to your installer or wholesale dealer.
	C. User keypad does not work.	C. Replace the user keypad. Refer to your installer or wholesale dealer.
	D. Control does not work.	D. Replace the control. Refer to your installer or wholesale dealer.
4. Blower motor will not start.	A. No water in the bath.	A. Fill the bath at least 2" (5 cm) above the top of the highest air jet.
	B. Power cord from blower motor to control is loose, disconnected, or damaged.	B. Check wiring for proper connections.
	C. Blower motor does not work.	C. Replace the blower motor. Refer to your installer or wholesale dealer.
	D. Control does not work.	D. Replace the control. Refer to your installer or wholesale dealer.
5. Blower motor stops running and will not immediately restart. Keypad is illuminated.	A. Blower motor overheated and protection device activated.	A. Check for blockage at motor vents. Remove blockage and allow motor to cool. Refer to dealer or wholesale distributor. Otherwise, refer to "User keypad is illuminated, but does not respond to buttons or outer ring".
6. Blower motor starts, some but not all airjets are bubbling.	A. Blower motor speed is too low.	A. Increase speed setpoint to blower motor.
	B. Blower motor inlet is blocked.	B. Clean blower motor inlet.
	C. Blower motor does not work.	C. Replace the blower motor. Refer to your installer or wholesale dealer.
	D. Blower motor discharge is blocked.	D. Check blockage.
	E. Check valve does not work.	E. Replace the check valve. Refer to your installer or wholesale dealer.

Troubleshooting Procedures (cont.)

Symptoms	Probable Causes	Recommended Action
	<p>F. Airjets are clogged.</p>	<p>F. Use a small between-the-teeth dental brush and white vinegar. Dip the brush in the vinegar, brush the hole, rinse the brush in clean water, and then use the wet rinsed brush to rinse the hole.</p>
<p>7. Blower motor runs but no air bubbles are formed.</p>	<p>A. Blower motor inlet is blocked.</p>	<p>A. Clean blower motor inlet.</p>
	<p>B. Airjets are clogged.</p>	<p>B. Use a small between-the-teeth dental brush and white vinegar. Dip the brush in the vinegar, brush the hole, rinse the brush in clean water, and then use the wet rinsed brush to rinse the hole.</p>
	<p>C. Check valve does not work.</p>	<p>C. Replace the check valve. Refer to your installer or wholesale dealer.</p>
	<p>D. Blower motor does not work.</p>	<p>D. Replace the blower motor. Refer to your installer or wholesale dealer.</p>
	<p>E. Control does not work.</p>	<p>E. Replace the control. Refer to your installer or wholesale dealer.</p>
<p>8. Blower motor operates, air bubbles are formed, zone controls work, but variable speed feature does not work.</p>	<p>A. Blower motor inlet is blocked.</p>	<p>A. Clean blower motor inlet.</p>
	<p>B. Loose, disconnected, or damaged wiring harness.</p>	<p>B. Check wiring for proper connections. Replace the wiring harness if necessary. Refer to your installer or wholesale dealer.</p>
	<p>C. User keypad does not work.</p>	<p>C. Replace the user keypad. Refer to your installer or wholesale dealer.</p>
	<p>D. Blower motor does not work.</p>	<p>D. Replace the blower motor. Refer to your installer or wholesale dealer.</p>
	<p>E. Control does not work.</p>	<p>E. Replace the control. Refer to your installer or wholesale dealer.</p>
<p>9. Blower motor won't turn off when the power button on user keypad is pressed.</p>	<p>A. User keypad does not work.</p>	<p>A. Replace the user keypad. Refer to your installer or wholesale dealer.</p>
	<p>B. Loose, disconnected, or damaged wiring harness.</p>	<p>B. Check wiring for proper connections. Replace the wiring harness if necessary. Refer to your installer or wholesale dealer.</p>
	<p>C. Control does not work.</p>	<p>C. Replace the control. Refer to your installer or wholesale dealer.</p>

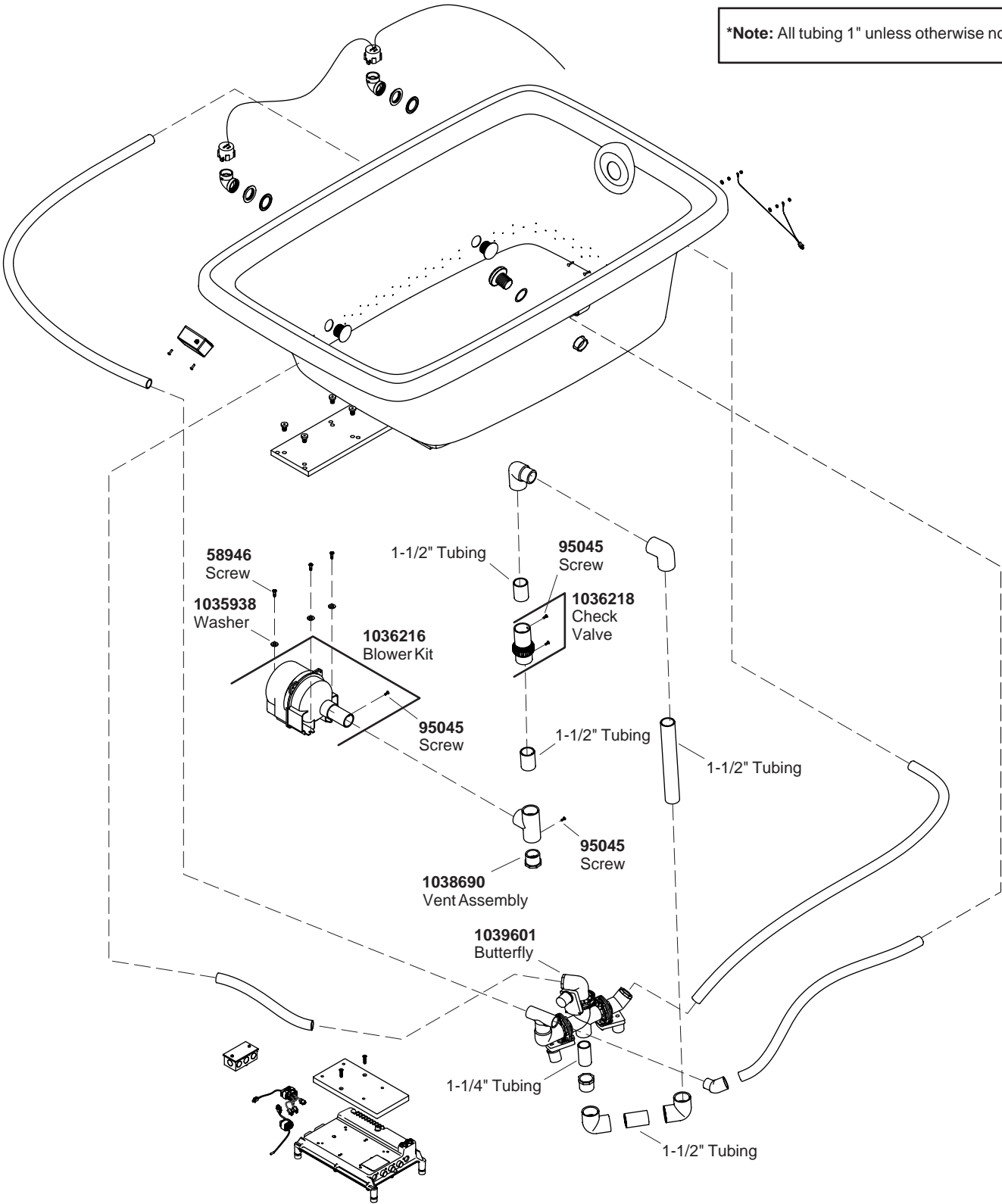
Troubleshooting Procedures (cont.)

Symptoms	Probable Causes	Recommended Action
10. A zone does not produce air bubbles but another zone operates normally.	A. Zone is not selected.	A. Select the zone according to the instructions in "User Keypad and Bath with Airjets Modes/Features".
	B. Butterfly valve does not work.	B. Replace the butterfly valve. Refer to your installer or wholesale dealer.
	C. Loose, disconnected, or damaged wiring harness.	C. Check wiring for proper connections. Replace the wiring harness if necessary. Refer to your installer or wholesale dealer.
	D. User keypad does not work.	D. Replace the user keypad. Refer to your installer or wholesale dealer.
	E. Control does not work.	E. Replace the control. Refer to your installer or wholesale dealer.
11. Surge mode does not work.	A. User keypad does not work.	A. Replace the user keypad. Refer to your installer or wholesale dealer.
	B. Control does not work.	B. Replace the control. Refer to your installer or wholesale dealer.
12. Water spillage or damage observed under the bath.	A. Drain or overflow leaking.	A. Repair or replace the drain assembly according to the manufacturer's instructions.
	B. Wall, deck, and/or shower door is improperly sealed.	B. Apply silicone sealant at the seams between the bath and the wall, deck, or door.
	C. Cracked acrylic air channels.	C. Refer to the manufacturer.

For Baths with Chromatherapy

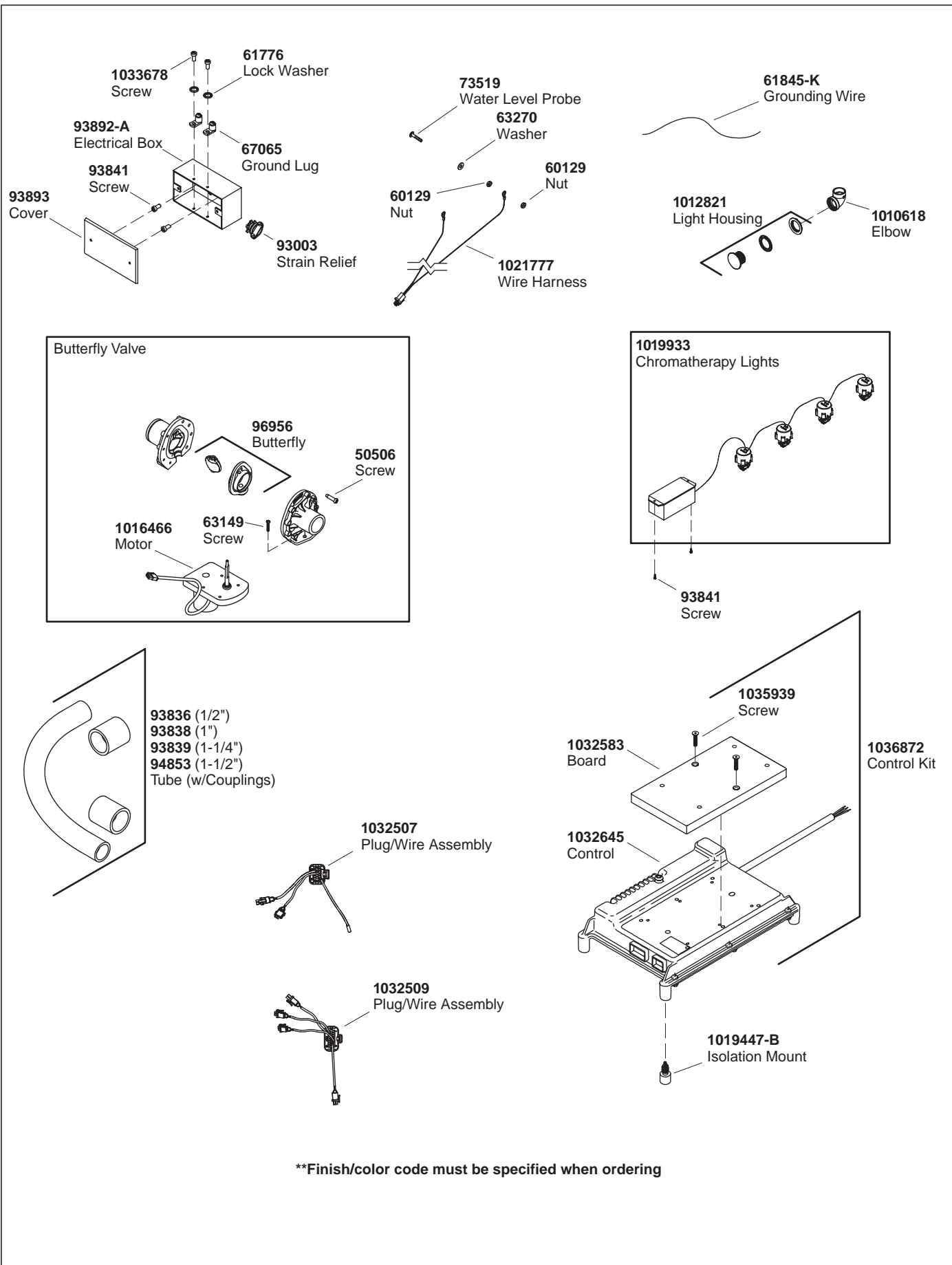
Symptoms	Probable Causes	Recommended Action
13. Chromatherapy lights do not work.	A. Loose, disconnected or damaged wiring/connections.	A. Check wiring for proper connections. Replace wiring if necessary. Refer to your installer or wholesale dealer.
	B. Control does not work.	B. Replace control. Refer to your installer or wholesale dealer.

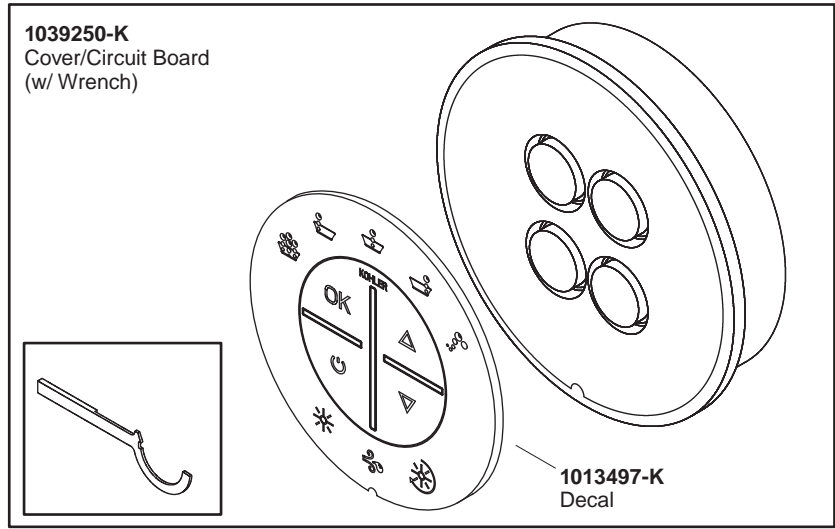
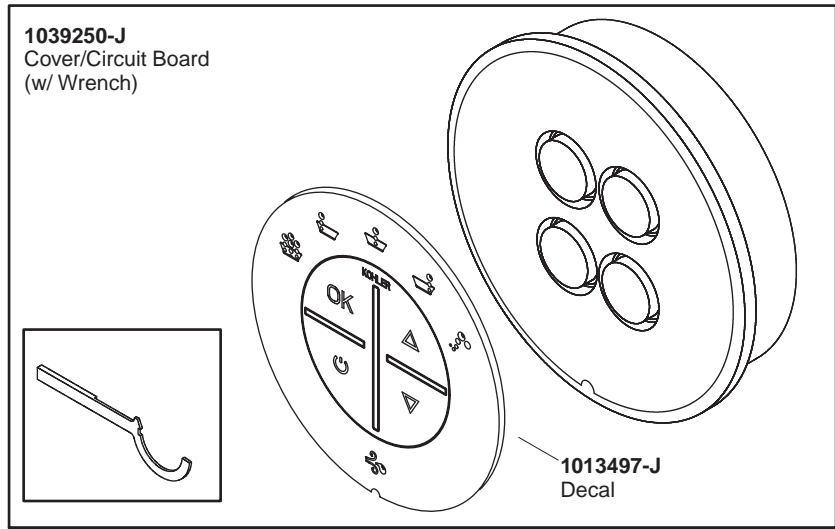
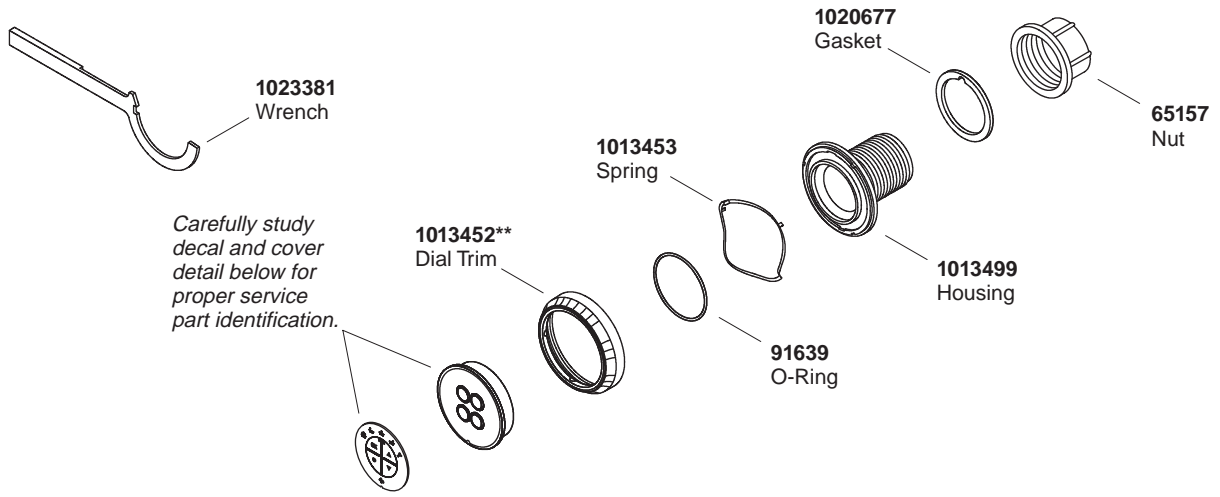
***Note:** All tubing 1" unless otherwise noted.



****Finish/color code must be specified when ordering.**

Service Parts





****Finish/color code must be specified when ordering**

Guide du propriétaire

Baignoire à jets d'air

Renseignements importants

CONSIGNES RELATIVES AUX RISQUES D'INCENDIE, D'ÉLECTROCUTION OU DE BLESSURES CORPORELLES LISEZ ET SUIVEZ TOUTES LES INSTRUCTIONS CONSERVEZ CES INSTRUCTIONS



AVERTISSEMENT : Toutes les précautions de base devront être observées pour l'installation des équipements électriques, incluant ce qui suit :



DANGER : Risques de blessure corporelle. Afin de réduire les risques de blessures, ne jamais permettre à un enfant d'utiliser cet appareil sans surveillance.



AVERTISSEMENT : Risques de blessure corporelle. Pour éviter les blessures corporelles, entrez et sortez de la baignoire à jets d'air avec précaution.



AVERTISSEMENT : Risque d'électrocution. Ne pas raccorder d'appareils électriques (tels que sèche-cheveux, lampe, téléphone, radio ou télévisions) à moins de 5' (1,5 m) de la baignoire à jets d'air.



AVERTISSEMENT : L'alcool, les drogues ou les médicaments peuvent augmenter considérablement le risque d'hyperthermie. Une immersion prolongée dans l'eau chaude peut provoquer l'hyperthermie. L'hyperthermie se passe lorsque la température corporelle interne atteint plusieurs degrés au dessus de la température normale de 98.6° F (37°C). Les symptômes d'hyperthermie comprennent la hausse de la température corporelle, l'étourdissement, la léthargie, la somnolence et l'évanouissement. Les effets de l'hyperthermie comprennent : (a) défaut de percevoir la chaleur, (b) défaut de s'apercevoir du besoin de sortir de la baignoire, (c) incapacité de reconnaître le danger, (d) souffrance foetale dans le cas des femmes enceintes, (e) incapacité physique de sortir de la baignoire et (f) inconscience et danger subséquent à la noyade.

Une borne de mise à la terre est incluse dans le boîtier du câblage. Afin de réduire les risques d'électrocution, le panneau du service électrique doit être raccordé à la borne de mise à la terre, avec un câble de même calibre que celui du circuit de contrôle qui alimente cette baignoire à jets d'air.

Un câble connecteur à pression est prévu à l'extérieur du moteur souffleur ou de la commande de cet appareil afin de permettre la connexion entre l'appareil et toutes autres surfaces de métal exposé avoisinantes, conformément aux normes locales.

N'utiliser cette baignoire à jets d'air qu'à des fins telles que décrites dans ce manuel. Ne pas utiliser toutes fixations non recommandées par le fabricant.

Ne pas faire tomber ni insérer aucun objet dans les ouvertures.

La baignoire à jets d'air doit uniquement être raccordée à un Disjoncteur Différentiel (GFCI) ou un Disjoncteur de Mise à la Terre (ELCB). L'installateur doit fournir les GFCI ou ELCB, lesquels devraient être vérifiés régulièrement. Appuyez sur le bouton de Test pour tester les disjoncteurs GFCI ou ELCB. Les disjoncteurs GFCI ou ELCB de mise à la terre devraient couper l'alimentation. Enfoncez le bouton de remise en circuit. L'alimentation devrait être restituée. Si les disjoncteurs GFCI ou ELCB ne fonctionnent pas de cette façon, ils sont donc défectueux. Si les disjoncteurs GFCI ou ELCB stoppent l'alimentation électrique à la baignoire à hydromassage sans que le bouton test soit utilisé, il y a donc un court circuit. Danger d'électrocution. Ne pas utiliser cette baignoire. Débrancher la baignoire et faire vérifier par un technicien qualifié avant de l'utiliser.

Renseignements importants (cont.)

Votre nouvelle baignoire à jets d'air Kohler a été homologuée par l'ULC, assurant ainsi votre sécurité et celle de votre famille. Cette nouvelle baignoire à jets d'air est conforme aux normes ANSI et aux normes IAPMO établies pour l'industrie de la plomberie.

Sommaire

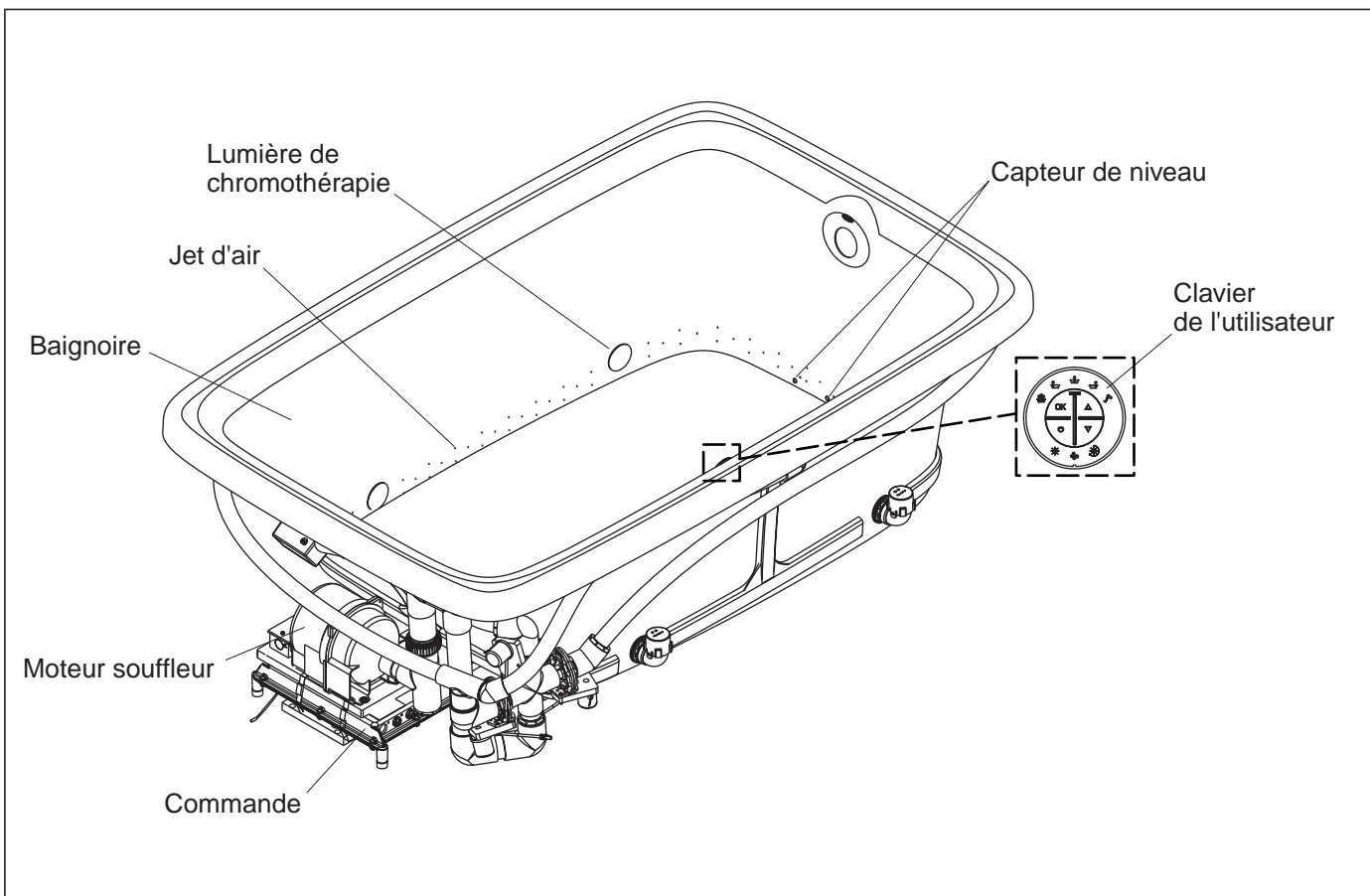
Renseignements importants	1
Merci d'avoir choisi la compagnie Kohler	2
Votre baignoire à jets d'air Kohler	3
Comment utiliser le manuel	3
Clavier de l'utilisateur et baignoire à jets d'air avec modes/fonctions	5
Fonctionnement de votre baignoire à jets d'air	7
Fonctionnement de la chromathérapie (si équipé)	8
Instructions d'entretien et de nettoyage	8
Garantie limitée d'un an - États-Unis et Canada	9
Procédures de dépannage	10
Pièces de rechange	14

Merci d'avoir choisi la compagnie Kohler

Merci d'avoir choisi la ligne The Bold Look de Kohler. Le travail soigné des artisans de Kohler vous fera apprécier une rare combinaison de performances éprouvées et une sophistication gracieuse, qui vous satisferont pour les années à venir. La fiabilité et la beauté de votre nouvelle baignoire surpasseront toutes vos espérances. Chez Kohler, nous sommes fiers de la qualité de nos baignoires, et nous savons que vous le serez aussi.

Veillez prendre quelques minutes pour consulter votre Guide du propriétaire avant d'utiliser votre baignoire pour la première fois. Porter une attention particulière aux instructions d'entretien et de nettoyage.

Tous les renseignements contenus dans ce manuel sont basés sur les informations relatives au produit les plus récentes au moment de la publication. Chez Kohler, nous nous efforçons toujours d'améliorer la qualité de nos produits. Nous nous réservons le droit d'apporter des modifications aux caractéristiques, conditionnements et disponibilités des produits à tout moment et sans préavis.



Votre baignoire à jets d'air Kohler

Votre nouvelle baignoire à jets d'air est conçue pour stimuler, revigorer et tonifier votre corps. Vous utiliserez les composants suivants:

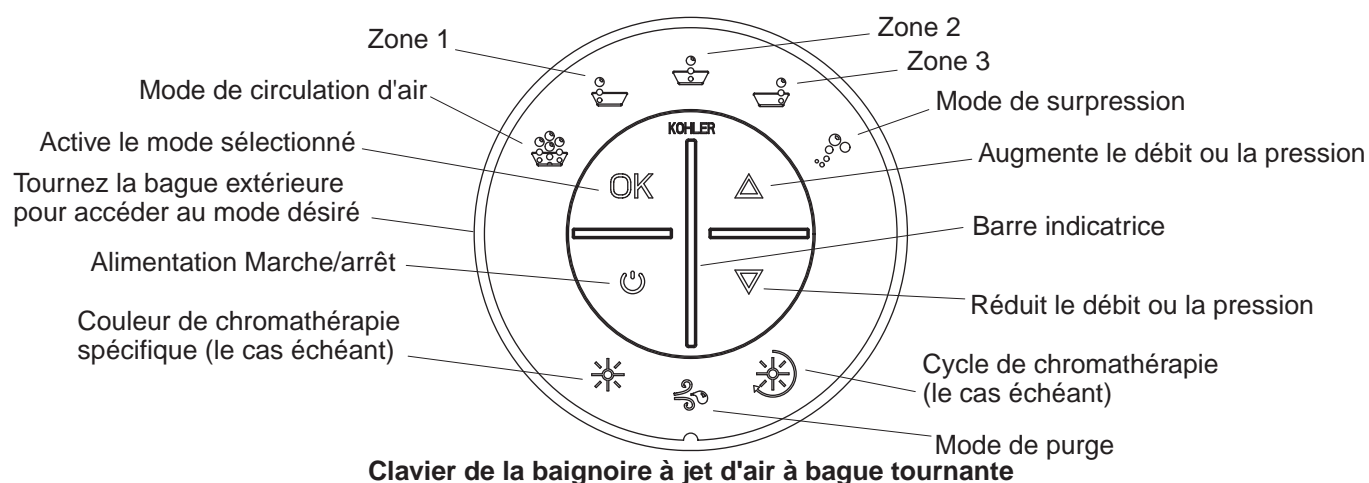
- **Baignoire** -Permet au baigneur de se relaxer confortablement tout en appréciant le massage d'air.
- **Clavier de l'utilisateur** -Simple d'accès, le clavier utilisateur vous permet de démarrer ou d'arrêter votre baignoire. Il vous permet aussi d'accéder aux modes jets d'air et d'ajuster la circulation d'air.
- **Jets d'air** -Orifices par lesquels l'air circule.
- **Lumières chromathérapie (si fournies)** -Rajoute du caractère à la baignoire, en spécifiant une couleur ou en réglant la baignoire sur un cycle chromatique continu des huit couleurs.
- **Détecteurs de niveau** -Déterminer quand la baignoire à été vidée et démarrer la minuterie pour le cycle automatique de purge.
- **Moteur souffleur** -Silencieux et à vitesse variable, fournit une alimentation en air à travers les jets dans l'eau afin de créer une action douce de bulles d'air.

Comment utiliser le manuel

- Ce manuel est conçu pour vous assister dans le dépannage de tout problème qui pourrait subvenir dans le fonctionnement de la baignoire à jets d'air.
- Si un problème se pose, se référer à la section "Dépannage" afin de déterminer la cause probable.
- Consulter la section "Pièces de remplacement" pour déterminez le numéro de la pièce en cas de remplacement nécessaire.

Comment utiliser le manuel (cont.)

- Utiliser les informations au verso de ce manuel pour contacter Kohler Co. et commander vos pièces de rechange, ou pour vous faire aider si vous ne pouvez pas corriger le problème.

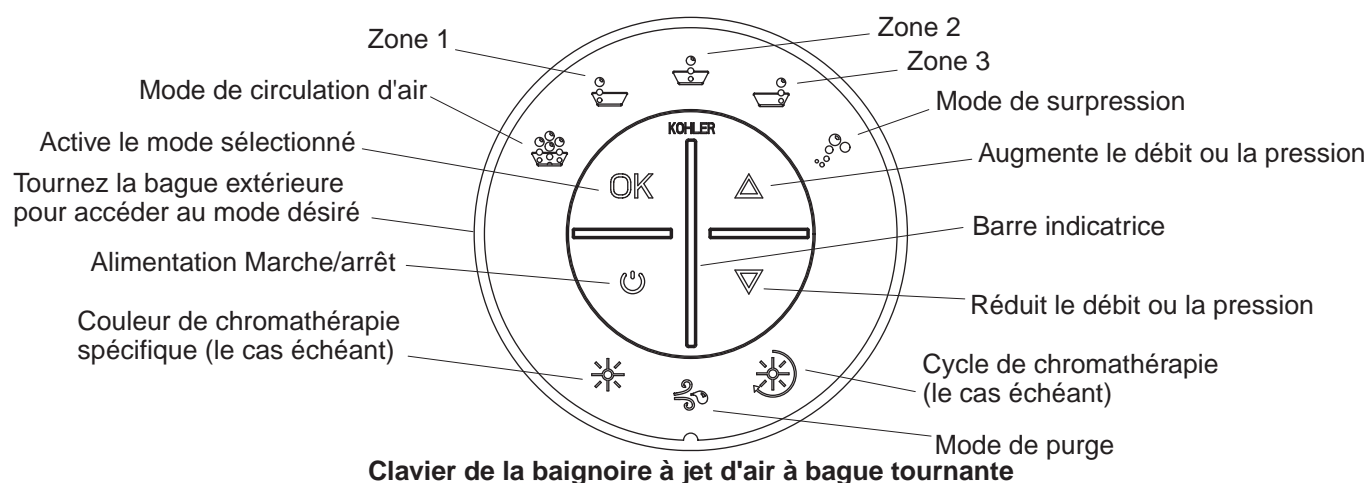


Clavier de l'utilisateur et baignoire à jets d'air avec modes/fonctions

- **Fonction marche/arrêt** - Met en marche/arrêt le moteur-souffleur. Les symboles illuminés en bleu indiquent la disponibilité des modes et des fonctions. Les modes en opération seront illuminés en vert.
- **Bouton d'activation** -Appuyer sur "OK" pour activer le mode désiré. Le mode sélectionné clignotera (en vert).
- **Flèche haut** -Augmente le débit d'air lorsque le mode débit d'air est activé. Augmente la vitesse de pulsation quand le mode est activé.
- **Flèche bas** -Diminue le débit d'air lorsque le mode débit d'air est activé. Diminue la vitesse de pulsation quand le mode vague est activé.
- **Bague extérieure** -Tourner la bague extérieure pour accéder au mode désiré. Le mode sélectionné clignotera (en bleu).
- **Barre indicatrice** -Indique le volume du débit d'air lors du fonctionnement en mode débit d'air. Indique la vitesse de pulsation en opération sous mode augmentation.
- **Mode purge** -Sélectionner manuellement afin d'amorcer le mode purge. Le cycle de purge ne démarrera pas si il y a présence d'eau dans la baignoire à jets d'air. Le mode purge évacue toute eau résiduelle des conduits d'air. Le moteur-souffleur démarre et fonctionne à vitesse lente pendant à peu près deux minutes. Un cycle de purge automatique a lieu lorsque la baignoire est vidée et que le niveau d'eau baisse sous le niveau des détecteurs.
- **Mode débit d'air** -Dans ce mode, la circulation d'air est dirigée dans toute combinaison de jets d'air dans les zones sélectionnées. Le débit d'air peut être ajusté avec les boutons en flèches. Lorsque le mode vague est sélectionné, le débit d'air s'arrête. Quand le mode débit d'air est sélectionné sous le mode vague, ce dernier s'arrête.
- **Zone 1** -Ce mode est utilisé pour sélectionner ou dé-sélectionner le débit d'air à travers la zone 1.
- **Zone 2** -Ce mode est utilisé pour sélectionner ou dé-sélectionner le débit d'air à travers la zone 2.
- **Zone 3** -Ce mode est utilisé pour sélectionner ou dé-sélectionner le débit d'air à travers la zone 3.
- **Mode vague** -Lorsqu'il est activé, le débit d'air fluctue du minimum au maximum puis à nouveau au minimum. La vitesse de la vague est réglable entre approximativement de 10 à 60 secondes en utilisant les boutons haut et bas. Les flèches haut et bas peuvent être utilisées pour ajuster la vitesse de la vague. Les zones peuvent être sélectionnées ou dé-sélectionnées en mode vague.
- **Cycle chromathérapie (si fourni)** -les lumières de chromathérapie vont continuellement et automatiquement alterner leurs cycles de couleur blanche, violette, bleu indigo, aigue-marine, verte, jaune, orange et rouge. Le cycle des huit couleurs dure à peu près 1 minute.

Clavier de l'utilisateur et baignoire à jets d'air avec modes/fonctions (cont.)

- **Couleur spécifique de chromathérapie (si fournie)** -Lorsque ce mode est sélectionné, vous pouvez sélectionner une couleur spécifique pour la baignoire.
- **Clavier de l'utilisateur Mode "Veille"** - Pour améliorer votre expérience de bain, le clavier est programmé pour s'éteindre après environ 15 secondes d'inactivation. Seule la dernière option sélectionnée restera allumée. Pour redémarrer une commande, presser une touche quelconque ou tourner la bague extérieure. Approximativement 60 secondes après que tous les équipements soient arrêtés, le clavier s'assombriera pour conserver l'énergie. Presser le bouton marche ou tourner la bague extérieure pour réactiver le clavier.



Fonctionnement de votre baignoire à jets d'air

Démarrer l'unité

Si la baignoire à jets d'air ne fonctionne pas correctement, se reporter à la section "Dépannage".

- Fermer le drain.
- Remplir la baignoire à au moins 2" (5 cm) au-dessus des jets d'air.
- Utiliser votre main pour tester la température de l'eau pour le confort et la sécurité.
- Entrer délicatement dans la baignoire.
- Appuyer sur le bouton On/Off sur le clavier opérateur.
- S'assurer que le système d'air démarre et que l'air circule dans toutes les zones.
- S'assurer aussi que les lumières de chromathérapie (si fournies) démarrent aussi dans le mode cyclique.
- Si désiré, ajuster le débit d'air en actionnant le bouton haut et le bouton bas.
- A peu près 15 secondes plus tard, s'assurer que seule la dernière commande soit allumée sur le clavier.

Sélectionner les modes débit d'air

- Tourner la bague extérieure pour accéder au mode désiré.
- S'assurer que l'icône sélectionnée clignote en bleu.
- Appuyer sur le bouton "OK" pour activer ce mode.
- S'assurer que le mode actif clignote en vert et qu'il est implémenté.
- S'assurer qu'après 15 secondes, l'icône s'arrête de clignoter.
- Pour arrêter un mode, tourner la bague extérieure jusqu'à ce que le voyant vert clignote et appuyer de nouveau sur "OK".
- L'icône deviendra bleue indiquant le mode d'arrêt.

Stopper la baignoire

- Dès que c'est prêt, appuyer sur le bouton une seconde fois pour stopper le système d'air.
- Sortir de la baignoire avec précaution.

Fonctionnement de votre baignoire à jets d'air (cont.)

- Ouvrir le drain pour vider la baignoire.
- S'assurer que le cycle de deux minutes de purge automatique se déclenche lorsque la baignoire se vide au dessous du niveau des capteurs. Le système d'air fonctionne à une vitesse lente pour évacuer toute eau des conduits d'air.
- S'assurer, approximativement 60 secondes après arrêt, que tous les voyants du clavier soient éteints.

Démarrer un cycle de purge manuelle

- Après l'arrêt du système de circulation d'air et la vidange de la baignoire, tourner l'anneau sur le clavier jusqu'à l'icône purge.
- S'assurer que l'icône sélectionnée clignote en bleu.
- Appuyer une fois sur le bouton "OK".
- L'icône de purge clignote en vert et le mode est engagé. Le système d'air fonctionne à une vitesse lente pour évacuer toute eau des conduits d'air.
- Après à peu près deux minutes, le système d'air s'arrête automatiquement.

Fonctionnement de la chromathérapie (si équipé)

REMARQUE : La chromathérapie peut être utiliser dans tous les modes. La chromathérapie peut être utiliser quand les pompes sont en marche.

- **Cycle de chromathérapie** - Lorsque ce mode est activé, les lumières chromathérapie alternent les huit couleurs automatiquement et de manière continue. blanc, violet, bleu indigo, aigue-marine, verte, jaune, orange et rouge. Le cycle des 8 couleurs dure à peu près 1 minute. Tourner la bague extérieure pour sélectionner ce mode et appuyer sur "OK" pour l'activer. Pour éteindre les lumières, appuyer sur le bouton "OK" lorsque le mode chromathérapie est sélectionné et actif.
- **Sélection d'une couleur chromatique spécifique** - Lorsque ce mode est activé, vous pouvez sélectionner une couleur spécifique pour votre bain. Tourner la bague extérieure pour sélectionner ce mode, appuyer sur "OK" pour l'activer et appuyer sur les flèches haut/bas pour choisir votre couleur désirée. Pour éteindre les lumières, appuyer sur le bouton "OK" lorsque le mode chromathérapie est sélectionné et actif.

Instructions d'entretien et de nettoyage

Nettoyer votre baignoire en acrylique

- **N'utiliser d'agent nettoyant en poudre que si celui-ci est complètement dilué.** Des substances solides pourraient obstruer les jets d'air.
- **Ne pas utiliser de produits javéllisants forts ou à base d'ammoniaque pour le nettoyage.** Les solutions de nettoyage à agents chimiques actifs peuvent endommager la surface de la baignoire.
- **Ne pas utiliser de nettoyeurs abrasifs ou de solvants sur les surfaces acryliques.** Les produits nettoyeurs abrasifs et solvants peuvent endommager la surface de la baignoire.
- Essuyer votre baignoire avec un tissu doux après chaque usage.
- Eviter les détergents, les désinfectants ou les produits aérosols.
- Si la surface devient excessivement sale, vous pouvez utiliser un nettoyant d'usage général, tel que : Formule 409® Nettoyant tout usage, sans frotter® Nettoyant pour moisissure, Mr. Propre® Citron Frais, Cinch®, Verre Plus®, ou Fantastik® Tout Usage.

REMARQUE : Pour réparer une baignoire d'apparence détériorée : Appliquer un produit à polir blanc pour automobiles avec un chiffon propre. Polir les rayures et les apparences détériorées vigoureusement. Essuyer les résidus. Passer ensuite une couche de produit à polir blanc pour voiture. Ne pas polir les surfaces sur lesquelles vous vous tenez ou vous marchez.

Instructions d'entretien et de nettoyage (cont.)

Nettoyer votre clavier et votre télécommande.

- Utiliser un chiffon doux pour essuyer votre clavier et votre télécommande après chaque usage. Si la surface devient sale, utiliser un savon doux et de l'eau tiède pour le nettoyage.

Maintenance des jets d'air

- Si le nettoyage des jets d'air s'avère nécessaire dû au dépôt calcaire, utiliser une petite brosse de nettoyage dentaire et du vinaigre blanc. Tremper la brosse dans le vinaigre, brosser l'orifice, rincer à l'eau claire, et utiliser la brosse humide pour rincer l'orifice.
- Remplir la baignoire avec de l'eau jusqu'au niveau supérieur des jets d'air. Vidanger la baignoire et presser le bouton de purge.

Garantie limitée d'un an - États-Unis et Canada

Les robinets, meubles et accessoires KOHLER® sont garantis contre tout défaut matériel et de fabrication pour un an, à partir de la date de l'installation.

Kohler Co. jugera de la réparation, du remplacement ou du réglage approprié et ceci après une inspection faite par la Kohler Co. ; tous défauts seront uniquement dû à une utilisation normale, et ceci pendant un an à partir de la date d'installation. Kohler Co. n'est pas responsable des coûts de démontage ou d'installation.

Pour vous prévaloir du service en vertu de cette garantie, contactez Kohler Co. par l'intermédiaire de votre Concessionnaire ou Entrepreneur Plombier, Centre de Rénovation, Revendeur par Internet ou par écrit à : Département du Service Clientèle, 444 Highlands Drive, KOHLER, Wisconsin 53044. USA , ou en composant le 1-800-4-KOHLER à partir des É.U., le 1-800-964-5590 à partir du Canada et le 001-877-680-1310 depuis le Mexique.

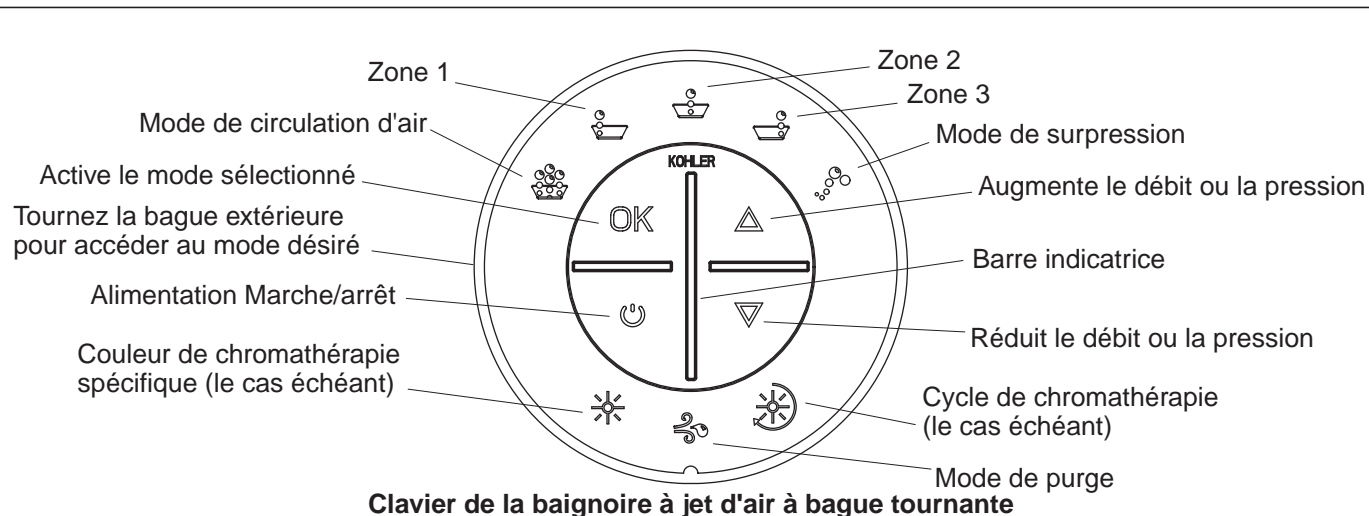
La durée des garanties tacites, y compris celles de ça commercialité et d'aptitude à un emploi particulier, se limite expressément à la durée de la présente garantie. Kohler Co. décline toute responsabilité contre tout dommage particulier, accidentel ou préjudice indirect. Certains États ou Provinces ne permettent pas la limitation sur la durée de la garantie, ou l'exclusion ou la limitation spéciale, de dommages occasionnés, ou corrélatif à un accident, de sorte que ces limitations ou exclusions pourraient ne pas s'appliquer dans votre cas. La présente garantie vous donne des droits légaux spécifiques. Vous pouvez également avoir d'autres droits qui varient d'une Province à l'autre.

Ceci constitue notre garantie écrite exclusive.

Remarques :

1. Il se peut que les couleurs des produits illustrés dans les catalogues présentent quelques variations par rapport aux couleurs réelles.
2. Kohler Co. se réserve le droit d'apporter toutes modifications aux caractéristiques, conditionnements et disponibilités des produits, à tout moments et, ceci sans préavis.

COPYRIGHT © 1999, 2000, 2001, 2002 PAR KOHLER CO.



1. Procédures de dépannage

Ce guide de dépannage est destiné à procurer seulement une aide générale. Seul un technicien agréé de Kohler ou un électricien qualifié pourra corriger tous problèmes électriques. Pour une réparation sous garantie, contacter votre détaillant ou distributeur.

Dépannage du système de baignoire

Symptômes	Causes probables	Action recommandée
1. Le clavier ne s'illumine pas quand le bouton est pressé ou quand la bague extérieure est tournée.	A. Pas d'alimentation au contrôle.	A. Vérifier le câblage et l'alimentation.
	B. Disjoncteur de Fuite de Terre (GFCI) ou à un Disjoncteur de Mise à la Terre (ELCB).	B. Réinitialiser le GFCI ou le ELCB. Si ceci se reproduit, se référer au "Disjoncteur de Fuite de Terre (GFCI) ou à un Disjoncteur de Mise à la Terre (ELCB)".
	C. Le harnais du câblage du clavier est desserré, débranché ou endommagé.	C. Vérifier les connexions du câblage. Remplacer le harnais du câblage si besoin. Consulter l'installateur ou le revendeur.
	D. Le clavier ne fonctionne pas.	D. Remplacer le clavier. Consulter l'installateur ou le revendeur.
	E. La commande ne fonctionne pas.	E. Remplacer le contrôle. Consulter l'installateur ou le revendeur.
2. Disjoncteur de Fuite de Terre (GFCI) ou à un Disjoncteur de Mise à la Terre (ELCB).	A. Harnais électrique est mouillé ou endommagé.	A. Inspecter pour les connexions mouillées. Sécher les connexions et réparer la fuite. Inspecter pour l'endommagement d'isolation ou de raccord. Remplacer le harnais si endommagé. Consulter l'installateur ou le revendeur.
	B. Le branchement électrique à la boîte de jonction est mouillé ou endommagé.	B. Faire diagnostiquer et réparer par un électricien qualifié en concordance avec les codes de bâtiment et d'électricité en vigueur.

Procédures de dépannage (cont.)

Symptômes	Causes probables	Action recommandée
	C. Le branchement électrique à la boîte de jonction est mouillé ou endommagé.	C. Faire diagnostiquer et réparer par un électricien qualifié en concordance avec les codes de bâtiment et d'électricité en vigueur.
	D. Le moteur-souffleur ne fonctionne pas.	D. Remplacer le moteur-souffleur. Consulter l'installateur ou le revendeur.
	E. La commande ne fonctionne pas.	E. Remplacer le contrôle. Consulter l'installateur ou le revendeur.
3. Le clavier est illuminé mais, ne répond pas aux commandes ou bague extérieur.	A. Le programme est bloqué.	A. Ré-initialisez le GFCI ou le ELCB.
	B. Le harnais du câblage P5 du clavier est desserré, débranché ou endommagé.	B. Vérifier les connexions du câblage. Remplacer le harnais du câblage si besoin. Consulter l'installateur ou le revendeur.
	C. Le clavier ne fonctionne pas.	C. Remplacer le clavier. Consulter l'installateur ou le revendeur.
	D. La commande ne fonctionne pas.	D. Remplacer le contrôle. Consulter l'installateur ou le revendeur.
4. Le moteur-souffleur ne veut pas démarrer.	A. Pas d'eau dans la baignoire.	A. Remplir la baignoire à un minimum de 2" (5 cm) au-dessus du jet d'air le plus élevé.
	B. Le câble de la pompe est desserré, déconnecté ou endommagé.	B. Vérifier les connexions du câblage.
	C. Le moteur-souffleur ne fonctionne pas.	C. Remplacer le moteur-souffleur. Consulter l'installateur ou le revendeur.
	D. La commande ne fonctionne pas.	D. Remplacer le contrôle. Consulter l'installateur ou le revendeur.
5. Le moteur-souffleur s'arrête et ne veut pas immédiatement redémarrer. Le clavier est illuminé.	A. Le moteur-souffleur a surchauffé et le disjoncteur est activé.	A. Vérifier si la prise d'air du moteur n'est pas bouchée. Retirer l'obstruction et laisser le moteur refroidir. Consulter le revendeur ou distributeur. Autrement, consulter "Le clavier est illuminé mais, ne répond pas aux commandes ou bague extérieure".
6. Le moteur-souffleur démarre, quelques jets d'airs émettent des bulles seulement.	A. La vitesse du moteur-souffleur est trop lente.	A. Augmenter la vitesse sélectionnée du moteur-souffleur.
	B. La prise d'air du moteur-souffleur est obstruée.	B. Nettoyer la prise d'air du moteur-souffleur.
	C. Le moteur-souffleur ne fonctionne pas.	C. Remplacer le moteur-souffleur. Consulter l'installateur ou le revendeur.
	D. La sortie du moteur-souffleur est obstruée.	D. Inspecter les obstructions.

Procédures de dépannage (cont.)

Symptômes	Causes probables	Action recommandée
	E. La valve de contrôle ne fonctionne pas.	E. Remplacer la valve clapet. Consulter l'installateur ou le revendeur.
	F. Les jets d'air sont bouchés.	F. Utiliser une petite brosse de nettoyage dentaire et du vinaigre blanc. Tremper la brosse dans le vinaigre, brosser l'orifice, rincer à l'eau claire, et utiliser la brosse humide pour rincer l'orifice.
7. Le moteur-souffleur fonctionne mais il n'y a pas de formation de bulles d'air.	A. La prise d'air du moteur-souffleur est obstruée.	A. Nettoyer la prise d'air du moteur-souffleur.
	B. Les jets d'air sont bouchés.	B. Utiliser une petite brosse de nettoyage dentaire et du vinaigre blanc. Tremper la brosse dans le vinaigre, brosser l'orifice, rincer à l'eau claire, et utiliser la brosse humide pour rincer l'orifice.
	C. La valve de contrôle ne fonctionne pas.	C. Remplacer la valve clapet. Consulter l'installateur ou le revendeur.
	D. Le moteur-souffleur ne fonctionne pas.	D. Remplacer le moteur-souffleur. Consulter l'installateur ou le revendeur.
	E. La commande ne fonctionne pas.	E. Remplacer le contrôle. Consulter l'installateur ou le revendeur.
8. Le moteur-souffleur fonctionne, des bulles d'air se forment, les contrôles de zone fonctionnent, mais la commande de vitesse variable ne fonctionne pas.	A. La prise d'air du moteur-souffleur est obstruée.	A. Nettoyer la prise d'air du moteur-souffleur.
	B. Câblage électrique desserré, déconnecté ou endommagé.	B. Vérifier les connexions du câblage. Remplacer le harnais du câblage si besoin. Consulter l'installateur ou le revendeur.
	C. Le clavier ne fonctionne pas.	C. Remplacer le clavier. Consulter l'installateur ou le revendeur.
	D. Le moteur-souffleur ne fonctionne pas.	D. Remplacer le moteur-souffleur. Consulter l'installateur ou le revendeur.
	E. La commande ne fonctionne pas.	E. Remplacer le contrôle. Consulter l'installateur ou le revendeur.
9. La pompe ne s'arrête pas quand le bouton de marche du clavier est pressé.	A. Le clavier ne fonctionne pas.	A. Remplacer le clavier. Consulter l'installateur ou le revendeur.
	B. Câblage électrique desserré, déconnecté ou endommagé.	B. Vérifier les connexions du câblage. Remplacer le harnais du câblage si besoin. Consulter l'installateur ou le revendeur.
	C. La commande ne fonctionne pas.	C. Remplacer le contrôle. Consulter l'installateur ou le revendeur.

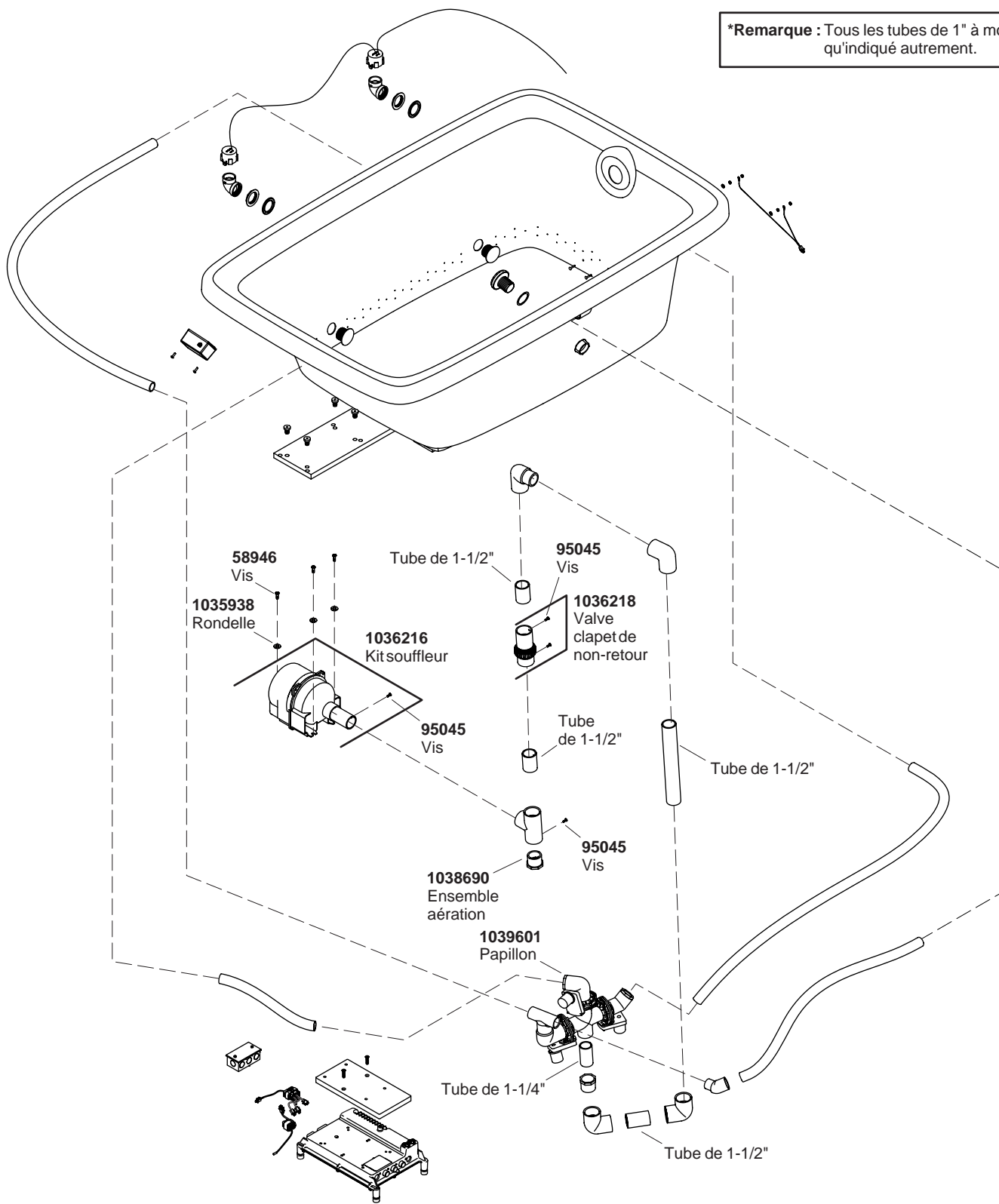
Procédures de dépannage (cont.)

Symptômes	Causes probables	Action recommandée
10. Une zone ne produit pas de bulles d'air mais une autre fonctionne normalement.	A. Zone n'est pas sélectionné.	A. Sélectionner la zone selon les instructions dans la section "Clavier de l'utilisateur et baignoire à jets d'air avec modes/fonctions".
	B. La valve papillon ne fonctionne pas.	B. Remplacer la valve papillon. Consulter l'installateur ou le revendeur.
	C. Câblage électrique desserré, déconnecté ou endommagé.	C. Vérifier les connexions du câblage. Remplacer le harnais du câblage si besoin. Consulter l'installateur ou le revendeur.
	D. Le clavier ne fonctionne pas.	D. Remplacer le clavier. Consulter l'installateur ou le revendeur.
	E. La commande ne fonctionne pas.	E. Remplacer le contrôle. Consulter l'installateur ou le revendeur.
11. Mode vague ne fonctionne pas.	A. Le clavier ne fonctionne pas.	A. Remplacer le clavier. Consulter l'installateur ou le revendeur.
	B. La commande ne fonctionne pas.	B. Remplacer le contrôle. Consulter l'installateur ou le revendeur.
12. Renversement d'eau ou dommage constaté sous la baignoire.	A. Drain ou fuite du trop-plein.	A. Réparer ou remplacer le tuyau d'évacuation selon les instructions du fabricant.
	B. Mur, plancher, et/ou porte de douche ne sont pas correctement étanches.	B. Appliquer un joint de silicone entre les rebords de la baignoire, du mur, plancher, ou porte.
	C. Canal d'air en acrylique endommagé.	C. Consulter le fabricant.

Pour les baignoires avec chromothérapie

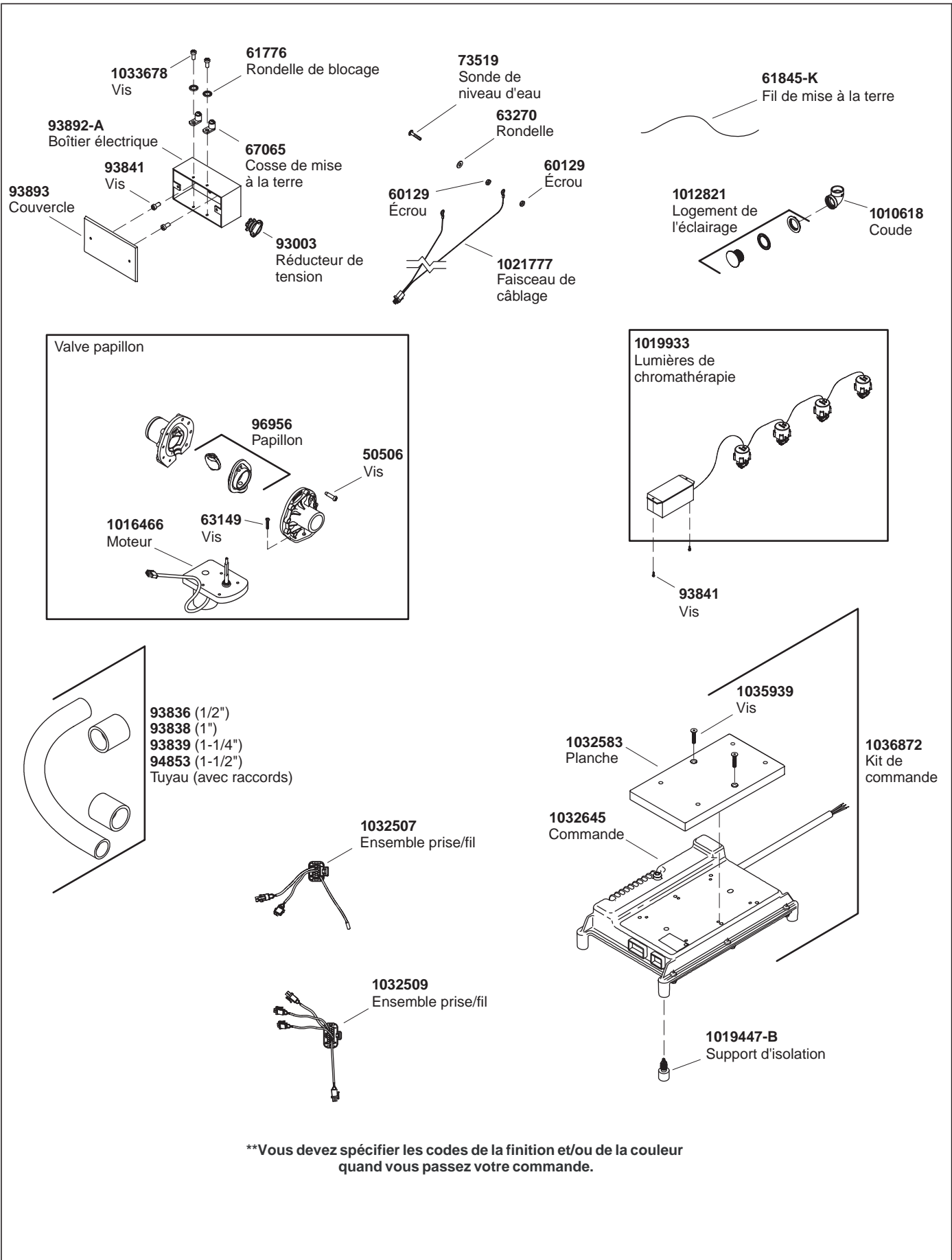
Symptômes	Causes probables	Action recommandée
13. Les lumières chromatiques ne fonctionnent pas.	A. Le câblage est desserré ou endommagé.	A. Vérifier les connexions du câblage. Remplacer le câblage si nécessaire. Consulter l'installateur ou le revendeur.
	B. La commande ne fonctionne pas.	B. Remplacer le contrôle. Consulter l'installateur ou le revendeur.

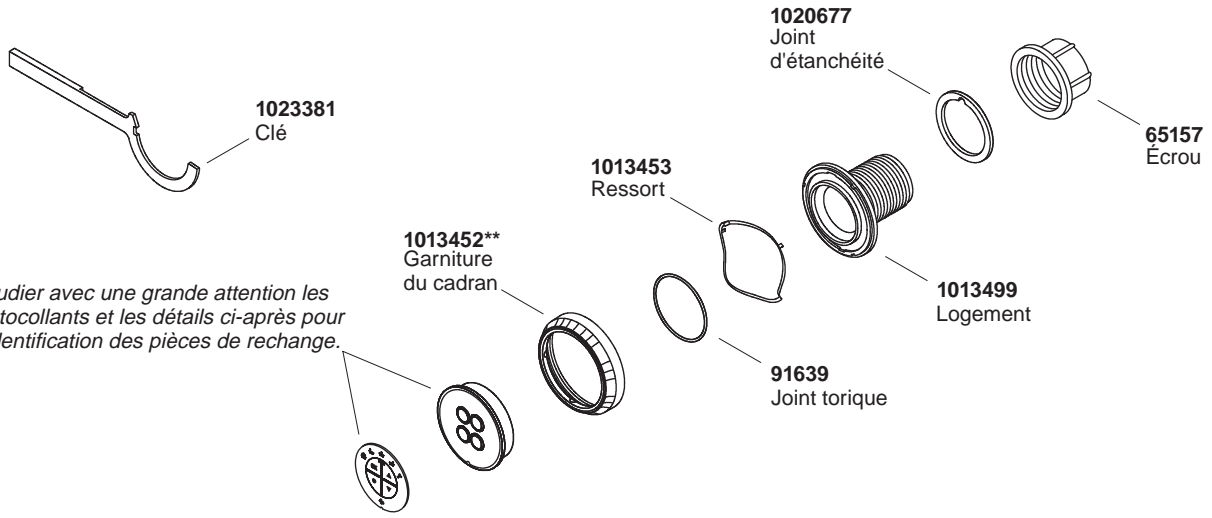
***Remarque :** Tous les tubes de 1" à moins qu'indiqué autrement.



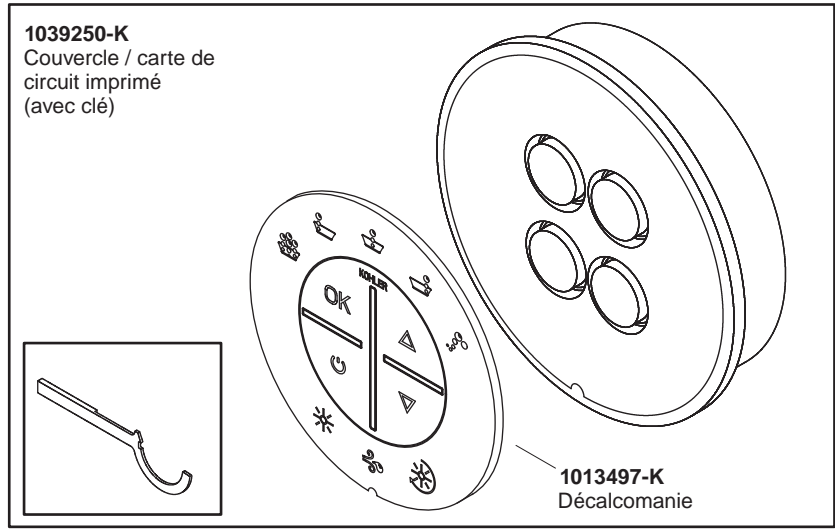
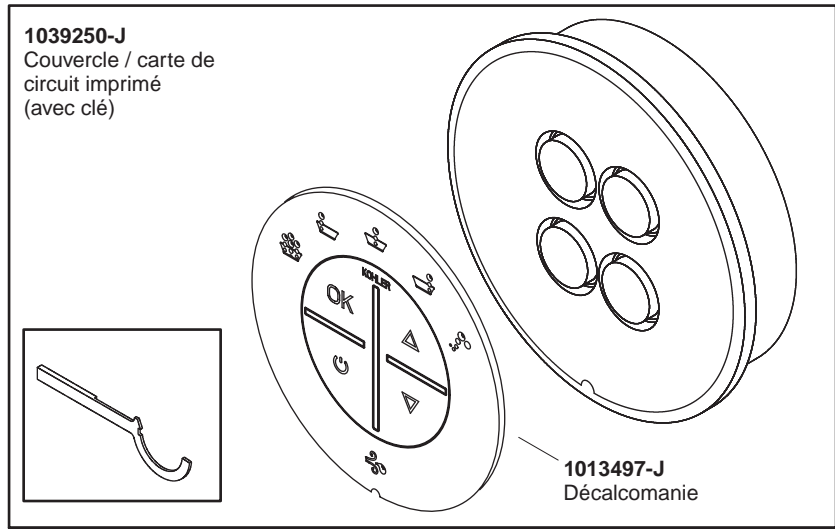
****Vous devez spécifier les codes de la finition et/ou de la couleur quand vous passez votre commande.**

Pièces de rechange





Étudier avec une grande attention les autocollants et les détails ci-après pour l'identification des pièces de rechange.



****Vous devez spécifier les codes de la finition et/ou de la couleur quand vous passez votre commande.**

Guía del usuario

Bañera con inyectores de aire

Información importante

INSTRUCCIONES RELACIONADAS CON RIESGOS DE INCENDIO, DESCARGA ELÉCTRICA O LESIONES PERSONALES

LEA Y SIGA TODAS LAS INSTRUCCIONES GUARDE ESTAS INSTRUCCIONES



ADVERTENCIA: Al usar aparatos eléctricos, siga siempre las precauciones básicas, incluyendo las siguientes:



PELIGRO: Riesgo de lesiones personales. Para reducir el riesgo de lesiones, no permita que los niños usen esta unidad sin estricta supervisión en todo momento.



ADVERTENCIA: Riesgo de lesiones personales. Para evitar lesiones, tenga cuidado al entrar y salir de la bañera con inyectores de aire.



ADVERTENCIA: Riesgo de descarga eléctrica. No coloque aparatos eléctricos (como secador de pelo, lámpara, teléfono, radio o televisión) a menos de 5' (1,5 m) de la bañera con inyectores de aire.



ADVERTENCIA: El uso de alcohol, drogas u otros medicamentos puede aumentar enormemente el riesgo de sufrir hipertermia fatal. La inmersión prolongada en agua caliente puede producir hipertermia. La hipertermia ocurre cuando la temperatura interna del cuerpo alcanza un nivel superior a la temperatura corporal normal de 98,6° F (37° C). Los síntomas de la hipertermia incluyen el aumento de la temperatura corporal interna, mareos, letargo, somnolencia y desfallecimiento. Los efectos de la hipertermia incluyen: (a) incapacidad para percibir calor, (b) incapacidad para reconocer la necesidad de salir de la bañera, (c) inconsciencia de un peligro inminente, (d) daño al feto en mujeres embarazadas, (e) inhabilidad física para salir de la bañera y (f) pérdida del conocimiento y consecuente peligro de ahogarse.

El compartimento de cables incluye un terminal a tierra para el equipo. Para reducir el riesgo de descarga eléctrica, debe conectar el terminal de tierra en el panel de suministro eléctrico con un conductor del mismo tamaño que los conductores del circuito que alimentan esta bañera con inyectores de aire.

En la parte exterior del motor soplador o control de esta unidad se incluye un conector de presión para permitir la conexión de un conductor de puesta a tierra entre esta unidad y cualquier metal expuesto en las proximidades de la unidad, tal como lo requieren las normas locales.

Use esta bañera con inyectores de aire únicamente con el fin para el que se ha fabricado, tal como se explica en este manual. No utilice accesorios que no estén recomendados por el fabricante.

No deje caer ni introduzca objetos en ninguna de las aberturas.

La bañera con inyectores de aire debe conectarse solamente a un circuito protegido con un interruptor de pérdida a tierra (GFCI) o un disyuntor de fuga a tierra (ELCB). El instalador debe suministrar el interruptor de protección GFCI o ELCB, cuyo funcionamiento debe ser revisado de manera rutinaria. Para probar el interruptor GFCI o ELCB, oprima el botón de prueba (test). El interruptor GFCI o ELCB debe interrumpir el suministro eléctrico. Oprima el botón de restablecer (reset). Esto debe restablecer el suministro eléctrico. Si el interruptor GFCI o ELCB no funciona de este modo, significa que está averiado. Si el interruptor GFCI o ELCB interrumpe la alimentación eléctrica a la bañera sin oprimir el botón de prueba, significa que existe corriente a tierra y la posibilidad de una descarga eléctrica. No utilice esta bañera. Desconecte la bañera y, antes de usarla, solicite que un representante de servicio autorizado solucione el problema.

Información importante (cont.)

Su nueva bañera con inyectoros de aire Kohler ha sido incluida en la lista de Underwriter's Laboratories, aumentando así su seguridad y la de su familia. Asimismo, su nueva bañera con inyectoros de aire cumple con las estrictas normas del ANSI e IAPMO establecidas dentro de la industria de plomería.

Contenido

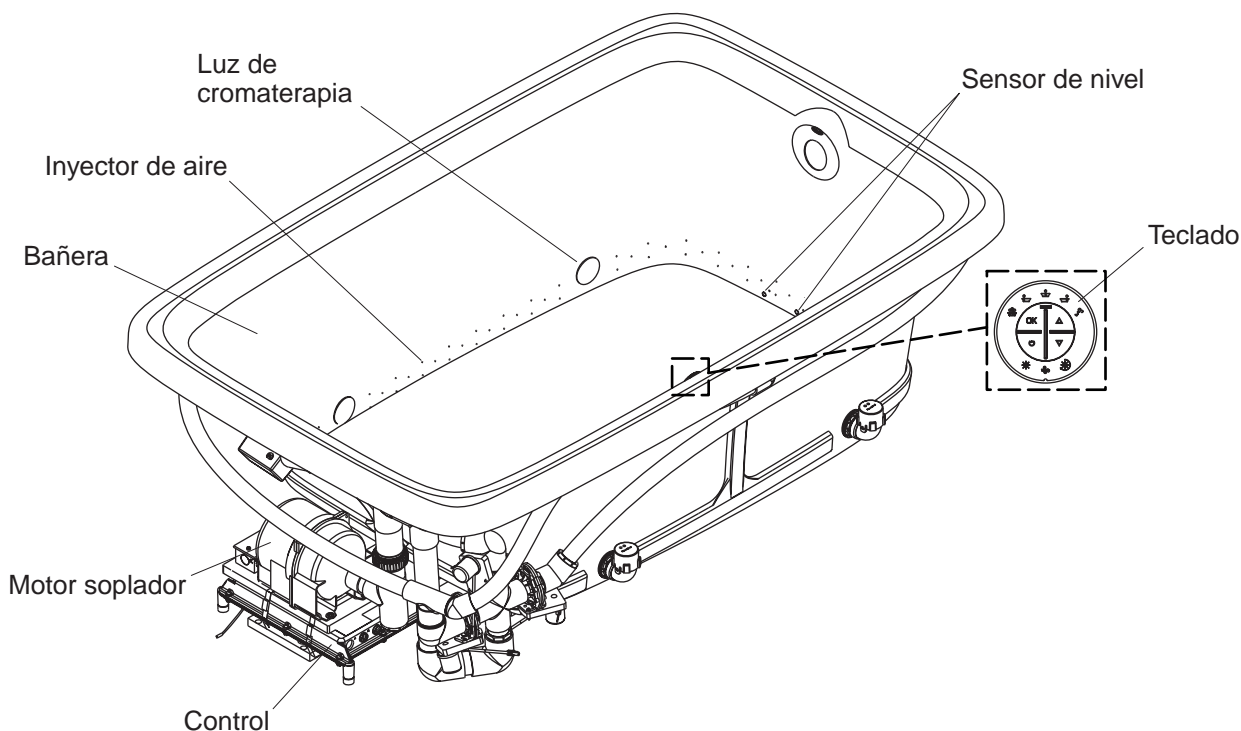
Información importante	1
Gracias por elegir los productos de Kohler	2
Su bañera con inyectoros de aire Kohler	3
Cómo utilizar este manual	3
Modos/funciones del teclado y bañera con inyectoros de aire	5
Funcionamiento de la bañera con inyectoros de aire	7
Funcionamiento del modo de cromaterapia (de estar equipada)	8
Instrucciones de cuidado y limpieza	8
Garantía limitada de un año - Estados Unidos y Canadá	9
Garantía de un año - México	9
Procedimientos de reparación	11
Piezas de repuesto	16

Gracias por elegir los productos de Kohler

Gracias por elegir la línea de productos de The Bold Look of Kohler. La artesanía de Kohler le ofrece una rara combinación de rendimiento comprobado y agraciada elegancia capaces de satisfacer sus exigencias durante muchos años. La fiabilidad y belleza de su nueva bañera con inyectoros de aire sobrepasarán sus mayores expectativas. En Kohler, nos sentimos orgullosos de nuestras bañeras con inyectoros de aire y sabemos que usted también lo estará.

Por favor, tome unos minutos para leer esta Guía del usuario antes de utilizar su nueva bañera con inyectoros de aire. Preste especial atención a las instrucciones de "Cuidado y limpieza" en este manual.

Toda la información contenida en las instrucciones está basada en la información más reciente disponible al momento de su publicación. En Kohler, nos esforzamos constantemente por mejorar la calidad de nuestros productos. Por lo tanto, Kohler se reserva el derecho de efectuar cambios en las características del producto, embalaje o disponibilidad en cualquier momento, sin previo aviso.



Su bañera con inyectores de aire Kohler

Su nueva bañera con inyectores de aire está diseñada para estimular, tonificar y dar energía a su cuerpo. Se utilizan los siguientes componentes:

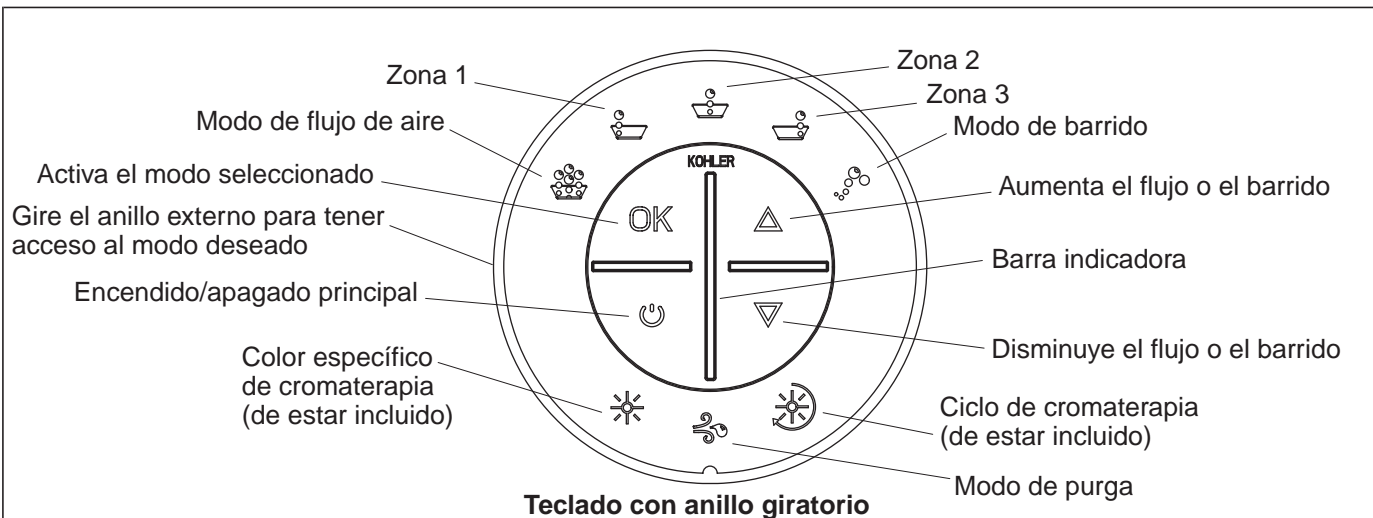
- **Bañera** - Permite al usuario relajarse con confort mientras disfruta de un masaje de aire.
- **Teclado** - El teclado, de fácil alcance, le permite encender y apagar la bañera. También le permite acceder a los modos de los inyectores de aire y ajustar el flujo de aire.
- **Inyectores de aire** - Orificios por los que el aire fluye.
- **Luces de cromaterapia (si están incluidas)** - Ambientan la bañera con un color específico o el ciclo de ocho colores que cambian de manera continua.
- **Sensor de nivel** - Determina cuando se ha vaciado la bañera e inicia el ciclo de purga automática.
- **Motor soplador**- Proporciona una potencia de velocidad variable y silenciosa para forzar el aire a través de los inyectores de aire y llegar al agua, creando una acción burbujeante y relajante.

Cómo utilizar este manual

- Este manual está diseñado para ayudarle a solucionar cualquier problema que se produzca durante el funcionamiento de la bañera con inyectores de aire.
- Si se produce algún problema, consulte la sección "Problemas de reparación" para determinar la causa probable.
- Consulte la sección "Piezas de repuesto" para determinar el número de pieza de cualquier repuesto necesario.

Cómo utilizar este manual (cont.)

- Utilice la información en el reverso de este manual para comunicarse con Kohler y realizar pedidos de piezas o para obtener ayuda si no puede corregir el problema.

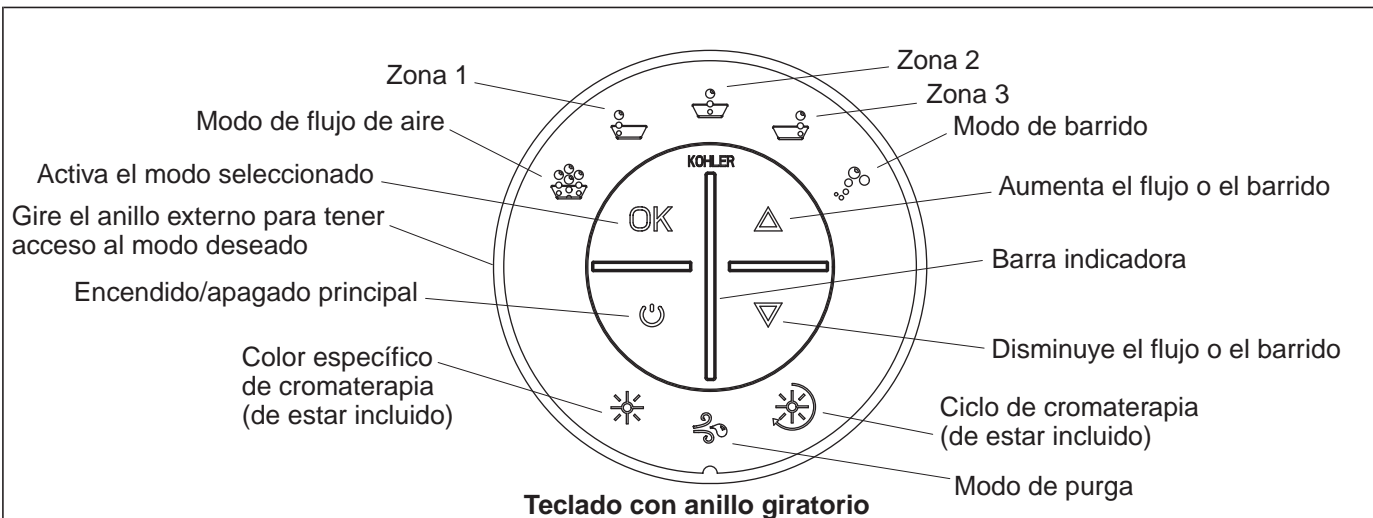


Modos/funciones del teclado y bañera con inyectores de aire

- **Encendido/apagado principal** - Enciende y apaga el motor soplador. Los símbolos iluminados en azul indican los modos/funciones disponibles. Los modos en funcionamiento se iluminarán en verde.
- **Selector de modo** - Oprima "OK" para activar el modo deseado. El modo activado se encenderá de forma intermitente (en verde).
- **Flecha hacia arriba** - Aumenta el flujo de aire cuando el modo de flujo de aire está activado. Aumenta la velocidad de pulsación cuando el modo de barrido está activado.
- **Flecha hacia abajo** - Disminuye el flujo de aire cuando el modo de flujo de aire está activado. Disminuye la velocidad de pulsación cuando el modo de barrido está activado.
- **Anillo externo** - Gire el anillo externo al modo deseado. El modo seleccionado se encenderá de forma intermitente (en azul).
- **Barra indicadora** - Muestra el volumen del flujo de aire cuando funciona en el modo de flujo de aire. Muestra la velocidad de barrido cuando funciona en el modo de barrido.
- **Modo de purga** - Seleccione para iniciar manualmente el modo de purga. El ciclo de purga no comenzará a funcionar si hay agua en la bañera con inyectores de aire. El modo de purga expulsa el agua residual que pueda haber de los canales de aire. El motor soplador arranca y continua funcionando a baja velocidad durante unos dos minutos. El ciclo de purga automática funciona cuando la bañera se vacía y el nivel de agua desciende por debajo de los sensores de nivel.
- **Modo de flujo de aire**- En este modo, el flujo de aire se dirige a través de algunos de los inyectores de aire en las zonas seleccionadas. El flujo de aire se puede ajustar con los botones de flechas. Cuando se selecciona el modo de barrido, el modo de flujo de aire se detiene. Cuando se selecciona el modo de flujo de aire y el modo de barrido está funcionando en ese momento, el modo de barrido se detiene.
- **Zona 1** - Este modo se utiliza para seleccionar o anular la selección del flujo de aire en la Zona 1.
- **Zona 2** - Este modo se utiliza para seleccionar o anular la selección del flujo de aire en la Zona 2.
- **Zona 3** - Este modo se utiliza para seleccionar o anular la selección del flujo de aire en la Zona 3.
- **Modo de barrido** - Cuando está activado, el flujo de aire aumenta de mínimo a máximo y disminuye de nuevo al mínimo. La velocidad de barrido se puede ajustar entre aproximadamente 10 segundos a 60 segundos, mediante los botones con flechas hacia arriba y hacia abajo. Los botones con flechas hacia arriba y hacia abajo se pueden utilizar para ajustar la velocidad de barrido. En el modo de barrido se pueden seleccionar zonas o se puede anular su selección.
- **Ciclo de cromaterapia (si está incluido)** - Las luces de cromaterapia cambian de color automática y continuamente a través del ciclo de ocho colores; blanco, violeta, azul añil, azul agua, verde, amarillo, naranja y rojo. Un ciclo con los ocho colores tarda aproximadamente un minuto.

Modos/funciones del teclado y bañera con inyectores de aire (cont.)

- **Color específico de cromaterapia (si está incluido)** - Cuando este modo está seleccionado, se puede elegir un color específico para la bañera.
- **Modos "en espera" del teclado** - A fin de realzar el placer del baño, el teclado está programado para que se atenúe tras 15 segundos de inactividad. Solamente la última opción seleccionada permanecerá iluminada. Para continuar con el funcionamiento normal, oprima cualquier tecla o gire el anillo externo. Unos 60 segundos después de que todo el equipo se haya apagado, el teclado se oscurecerá por completo para conservar energía. Oprima el botón de encendido o gire el anillo externo para reactivar el teclado.



Funcionamiento de la bañera con inyectores de aire

Puesta en marcha

Si la bañera no funciona correctamente, consulte la sección "Problemas de Reparación".

- Cierre el desagüe.
- Llene la bañera a un nivel al menos 2" (5 cm) por encima de los inyectores de aire.
- Pruebe la temperatura del agua con la mano para su confort y seguridad.
- Entre en la bañera con cuidado.
- Oprima el botón de encendido/apagado en el teclado.
- Observe que el sistema de aire se ponga en funcionamiento y el aire empiece a fluir por todas las zonas.
- Observe que también comience a funcionar el ciclo de las luces de cromaterapia (de estar incluidas).
- Si lo desea, ajuste la velocidad del flujo de aire mediante los botones de flechas hacia arriba y hacia abajo.
- Tras unos 15 segundos, observe que sólo la última función seleccionada permanezca iluminada en el teclado.

Selección de los modos de flujo de aire

- Gire el anillo externo para seleccionar el modo deseado.
- Observe que el icono seleccionado parpadee en azul.
- Oprima el botón "OK" para activar el modo.
- Observe que el modo activado parpadee en verde y se ejecute.
- Observe que, tras unos 15 segundos, el icono deje de parpadear.
- Para desactivar un modo, gire el anillo externo hasta que el icono se ilumine de forma intermitente en verde, y oprima el botón "OK" otra vez.
- El icono cambiará a azul lo que indicará que el modo se ha apagado.

Paro del sistema

- Cuando esté listo, oprima el botón de encendido por segunda vez para detener el sistema de aire.

Funcionamiento de la bañera con inyectores de aire (cont.)

- Salga con cuidado de la bañera.
- Abra el desagüe para vaciar la bañera.
- Observe que, cuando la bañera se vacía por debajo de los sensores de nivel, se inicie el ciclo de purga automática de dos minutos. El sistema de aire funciona a baja velocidad para expulsar los restos de agua de los canales de aire.
- Observe que, unos 60 segundos después de detenerse, todas las luces del teclado se apaguen.

Inicie un ciclo de purga manual

- Una vez que se haya detenido el sistema de aire y haya vaciado la bañera, gire el anillo en el teclado hasta llegar al icono de purga.
- Observe que el icono del ciclo de purga parpadee en azul.
- Oprima el botón "OK" una vez.
- El icono de purga se ilumina de forma intermitente en verde y el modo se ejecuta. El sistema de aire funciona a baja velocidad para expulsar los restos de agua de los canales de aire.
- Después de unos dos minutos, el sistema de aire se detiene automáticamente.

Funcionamiento del modo de cromaterapia (de estar equipada)

NOTA: La cromaterapia se puede utilizar con todos los modos de funcionamiento. La cromaterapia también se puede utilizar cuando el sistema de aire no esté en funcionamiento.

- **Ciclo de cromaterapia** - Cuando este modo está activado, las luces de cromaterapia cambian de color automática y continuamente a través del ciclo de ocho colores: blanco, violeta, azul añil, azul agua, verde, amarillo, naranja y rojo. Un ciclo con los ocho colores tarda aproximadamente un minuto. Para seleccionar este modo, gire el anillo externo y oprima "OK" para activarlo. Para apagar las luces, oprima el botón "OK" mientras que el modo de cromaterapia esté seleccionado y activo.
- **Selección específica del color de cromaterapia** - Cuando este modo está activado, se puede elegir un color específico para la bañera. Gire el anillo externo para seleccionar este modo, oprima el botón "OK" para activarlo y utilice las flechas arriba/abajo para obtener el color deseado. Para apagar las luces, oprima el botón "OK" mientras que el modo de cromaterapia esté seleccionado y activo.

Instrucciones de cuidado y limpieza

Limpieza de la bañera acrílica

- **No utilice productos de limpieza en polvo a menos que estén completamente disueltos en el agua.** Las sustancias sólidas podrían obstruir los inyectores de aire.
- **No utilice productos que contengan cloro (lejía) o amoníaco concentrado.** Las soluciones de limpieza activas químicamente pueden dañar la superficie de la bañera.
- **No utilice limpiadores abrasivos ni disolventes en las superficies acrílicas.** Los disolventes y productos de limpieza abrasivos pueden dañar la superficie de la bañera.
- Limpie su bañera acrílica con un paño suave después de cada uso.
- Evite detergentes, desinfectantes o productos de limpieza en botes de aerosol.
- Si la superficie se ensucia demasiado, se puede utilizar un producto de limpieza de uso general, tal como: Formula 409® limpiador para todo uso, Scrub Free® eliminador de manchas de moho, Mr. Clean al limón fresco, Cinch®, Glass Plus®, o Fantastik® para todo uso.

Instrucciones de cuidado y limpieza (cont.)

NOTA: Para restaurar las unidades que estén opacas o rayadas: Aplique un compuesto de pulir para autos con un trapo limpio. Frote las áreas rayadas y opacas enérgicamente. Limpie los residuos. A continuación aplique una capa de cera en pasta para autos. No emplee la cera en las zonas donde camine o se sitúe de pie.

Limpieza del teclado y del control remoto

- Utilice un paño suave para limpiar el teclado y el control remoto tras cada uso. Si la superficie se ensucia, limpie con un detergente no abrasivo y agua tibia.

Mantenimiento de los inyectores de aire

- Si es necesario limpiar los inyectores de aire debido a la acumulación de agua dura, utilice un cepillo interdental pequeño y vinagre blanco. Sumerja el cepillo en el vinagre, cepille el orificio, enjuague el cepillo en agua limpia y luego utilice el cepillo enjuagado para enjuagar el orificio.
- Llene la bañera de agua hasta la fila superior de inyectores de aire. Vacíe la bañera y oprima el botón de purga.

Garantía limitada de un año - Estados Unidos y Canadá

Se garantiza que los productos de plomería, accesorios y la grifería de KOHLER® están libres de defectos de material y fabricación por un año a partir de la fecha de instalación.

Kohler Co., a su elección, reparará, reemplazará o hará los ajustes apropiados en los casos en que la inspección realizada por Kohler Co. demuestre la presencia de cualquier defecto ocurrido con el uso normal en el transcurso de un año desde la fecha de la instalación. Kohler Co. no se hace responsable por los gastos de instalación o desmontaje.

Para obtener el servicio de garantía, comuníquese con Kohler a través de su distribuidor, contratista de plomería o distribuidor a través de Internet, o escriba directamente a: Kohler Co., Att: Customer Service Department, 444 Highland Drive, Kohler, WI 53044, USA, o llame al 1-800-4-KOHLER desde los Estados Unidos, al 1-800-964-5590 desde Canadá, o al 001-877-680-1310 desde México.

Toda garantía implícita en relación a productos de uso comercial, incluyendo la comercialización e idoneidad del producto para un uso determinado, se limita expresamente a la duración de la presente garantía. Kohler Co. no se hace responsable por daños especiales, incidentales o emergentes. Algunos estados no permiten limitaciones en cuanto a la duración de la garantía implícita o a la exclusión o limitación de daños especiales, incidentales o de consecuencia, por lo que es posible que estas limitaciones y exclusiones no le afecten. La presente garantía le otorga ciertos derechos legales específicos. Además, es posible que usted cuente con derechos que varían de estado a estado y provincia a provincia.

El presente documento constituye nuestra garantía exclusiva por escrito.

Notas:

1. Puede que haya leves variaciones de color entre las imágenes del catálogo y los productos de plomería reales.
2. Kohler Co. se reserva el derecho de efectuar cambios en las características del producto, embalaje o disponibilidad en cualquier momento, sin previo aviso.

COPYRIGHT © 1999, 2000, 2001, 2002 POR KOHLER CO.

Garantía de un año - México

KOHLER CO.

Al adquirir el producto, se recomienda verificar que todos los accesorios y componentes contenidos en la caja estén completos.

Kohler Co. garantiza la falta de defectos de material o fabricación en este producto, por un (1) año, a partir de la fecha de compra que aparece en la factura o recibo.

1. Kohler Co. prestará servicio únicamente a los productos comercializados a través de sus distribuidores autorizados.

Garantía de un año - México (cont.)

2. A fin de obtener el servicio de garantía, favor de presentar la factura de compra y la garantía correspondiente.
3. Kohler Co., a través de sus distribuidores autorizados, se compromete a reparar el producto defectuoso o a reemplazarlo por uno nuevo o equivalente (en caso de que el producto esté descontinuado) cuando no sea posible la reparación, sin ningún cargo al consumidor.
4. El tiempo de reparación no excederá de seis (6) semanas, a partir de la fecha de recepción del producto.
5. Se recomienda al consumidor que conserve el recibo o factura de compra como protección adicional, pues el mismo puede sustituir a la garantía, en caso de que exista discrepancia en cuanto a la validez de la misma.

EXCEPCIONES Y RESTRICCIONES

La garantía no tendrá validez en los siguientes casos:

1. Cuando el producto no haya sido utilizado conforme a la instrucciones de uso y funcionamiento incluidas en el manual del usuario y cuando no se hayan observado las recomendaciones y advertencias allí contenidas.
2. Cuando el producto se haya modificado o desmantelado parcial o totalmente; o manipulado de manera negligente y, como consecuencia, haya sufrido daños atribuibles al consumidor, persona o talleres no autorizados por Kohler Co.
3. Esta garantía no cubre los daños que resulten como consecuencia de desastres naturales, tales como incendios o actos divinos, incluyendo inundaciones, tormentas eléctricas u otros. Para obtener una lista de distribuidores cerca de usted y así hacer valer sus derechos bajo esta garantía, llame al 001-877-680-1310.

KOHLER CO., KOHLER, WI 53044 U.S.A.

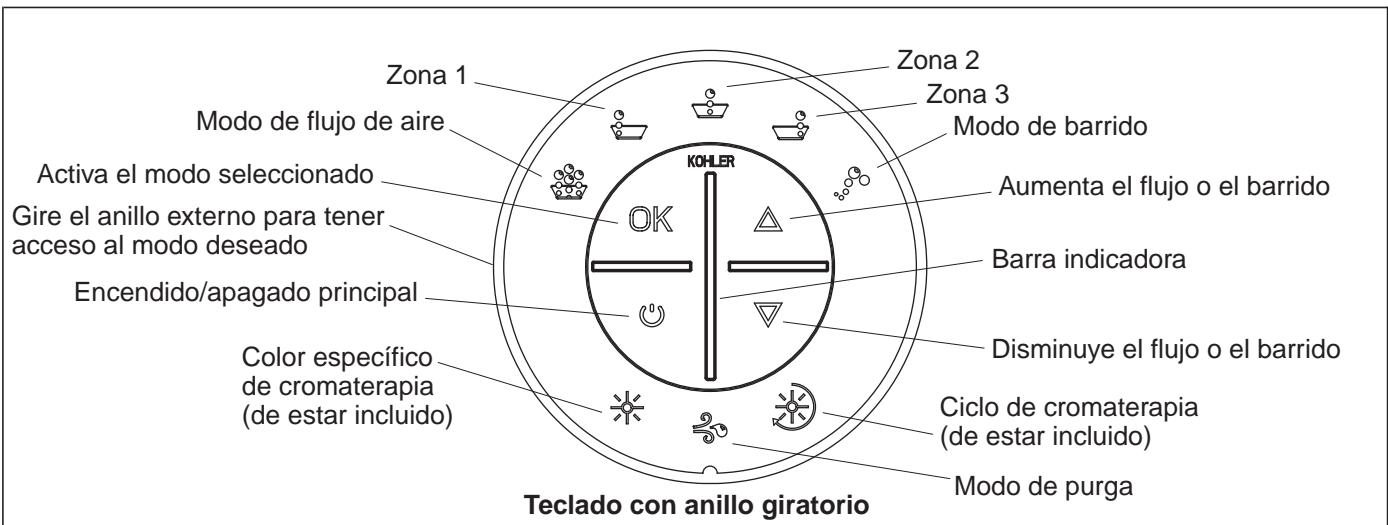
IMPORTADOR:

INTERNACIONAL DE CERÁMICA, S.A. DE C.V.

AV. CARLOS PACHECO NO. 7200

CHIHUAHUA, CHIH., MÉXICO C.P. 31060

TEL: 52 (14) 29-11-11



1. Procedimientos de reparación

La tabla de problemas de reparación está diseñada únicamente como ayuda general. Todos los problemas eléctricos deben ser resueltos por un representante de servicio autorizado de Kohler o un electricista calificado. Para obtener servicio cubierto por la garantía, póngase en contacto con el vendedor o el distribuidor mayorista.

Problemas de reparación en el sistema de la bañera

Síntomas	Causas probables	Acción recomendada
1. El teclado no se ilumina cuando se pulsa el botón de encendido o se hace girar el anillo externo.	A. El control no tiene suministro eléctrico.	A. Verifique el cableado y conecte el suministro eléctrico.
	B. El interruptor de circuito accionado por corriente de pérdida a tierra (GFCI) o el disyuntor de fuga a tierra (ELCB) se ha disparado.	B. Oprima el botón de restablecer (reset) del interruptor GFCI o ELCB. Si se dispara otra vez, consulte "El interruptor de circuito de pérdida a tierra (GFCI) o el disyuntor de fuga a tierra (ELCB) se dispara cuando la bañera está encendida".
	C. El arnés de cables que existe entre el teclado y el control está suelto, desconectado o dañado.	C. Verifique que los cables estén correctamente conectados. Reemplace el arnés de cables de ser necesario. Consulte al instalador o distribuidor mayorista.
	D. El teclado no funciona.	D. Reemplace el teclado. Consulte al instalador o distribuidor mayorista.
	E. El control no funciona.	E. Reemplace el control. Consulte al instalador o distribuidor mayorista.
2. El interruptor de circuito de pérdida a tierra (GFCI) o el disyuntor de fuga a tierra (ELCB) se dispara cuando la bañera está encendida.	A. El arnés eléctrico está mojado o dañado.	A. Compruebe que las conexiones no estén mojadas. Seque las conexiones y repare la fuga. Compruebe que el aislamiento o el conector no estén dañados. Reemplace el arnés si está dañado. Consulte al instalador o distribuidor mayorista.

Procedimientos de reparación (cont.)

Síntomas	Causas probables	Acción recomendada
	<p>B. El cableado eléctrico a la caja de empalmes está mojado o dañado.</p>	<p>B. Haga que un electricista calificado diagnostique y corrija el problema conforme a los códigos pertinentes de construcción y electricidad.</p>
	<p>C. El cableado eléctrico al cable de alimentación está mojado o dañado.</p>	<p>C. Haga que un electricista calificado diagnostique y corrija el problema conforme a los códigos pertinentes de construcción y electricidad.</p>
	<p>D. El motor soplador no funciona.</p>	<p>D. Reemplace el motor soplador. Consulte al instalador o distribuidor mayorista.</p>
	<p>E. El control no funciona.</p>	<p>E. Reemplace el control. Consulte al instalador o distribuidor mayorista.</p>
<p>3. El teclado está iluminado, pero no responde a los botones o anillo externo.</p>	<p>A. El programa del control está bloqueado.</p>	<p>A. Oprima el botón de restablecer (reset) del interruptor de circuito GFCI o ELCB.</p>
	<p>B. El arnés de cables P5 que existe entre el teclado y el control está suelto, desconectado o dañado.</p>	<p>B. Compruebe que los cables estén correctamente conectados. Reemplace el arnés de cables de ser necesario. Consulte al instalador o distribuidor mayorista.</p>
	<p>C. El teclado no funciona.</p>	<p>C. Reemplace el teclado. Consulte al instalador o distribuidor mayorista.</p>
	<p>D. El control no funciona.</p>	<p>D. Reemplace el control. Consulte al instalador o distribuidor mayorista.</p>
<p>4. El motor soplador no se enciende.</p>	<p>A. No hay agua en la bañera.</p>	<p>A. Llene la bañera al menos 2" (5 cm) por encima del inyector de aire más alto.</p>
	<p>B. El cable de alimentación que existe entre el motor soplador y el control está suelto, desconectado o dañado.</p>	<p>B. Compruebe que los cables estén correctamente conectados.</p>
	<p>C. El motor soplador no funciona.</p>	<p>C. Reemplace el motor soplador. Consulte al instalador o distribuidor mayorista.</p>
	<p>D. El control no funciona.</p>	<p>D. Reemplace el control. Consulte al instalador o distribuidor mayorista.</p>
<p>5. El motor soplador deja de funcionar y no se pone en funcionamiento de inmediato. El teclado está iluminado.</p>	<p>A. El motor soplador se ha recalentado, activando el dispositivo de protección.</p>	<p>A. Verifique que las salidas de aire del motor no estén tapadas. Elimine la obstrucción y permita que el motor se enfríe. Consulte al vendedor o al distribuidor mayorista. De lo contrario, consulte "El teclado está iluminado, pero no responde a los botones o anillo externo".</p>
<p>6. El motor soplador se pone en funcionamiento, algunos inyectores de aire burbujan pero no todos.</p>	<p>A. La velocidad del motor soplador es demasiado baja.</p>	<p>A. Aumente el valor establecido de velocidad en el motor soplador.</p>

Procedimientos de reparación (cont.)

Síntomas	Causas probables	Acción recomendada
	B. La entrada del motor soplador está obstruida.	B. Limpie la entrada del motor soplador.
	C. El motor soplador no funciona.	C. Reemplace el motor soplador. Consulte al instalador o distribuidor mayorista.
	D. La salida del motor soplador está obstruida.	D. Compruebe la obstrucción y retírela.
	E. La válvula de retención no funciona.	E. Reemplace la válvula de retención. Consulte al instalador o distribuidor mayorista.
	F. Los inyectores de aire están obstruidos.	F. Utilice un cepillo interdental pequeño y vinagre blanco. Sumerja el cepillo en el vinagre, cepille el orificio, enjuague el cepillo en agua limpia y luego utilice el cepillo enjuagado para enjuagar el orificio.
7. El motor soplador funciona pero no se forman burbujas de aire.	A. La entrada del motor soplador está obstruida.	A. Limpie la entrada del motor soplador.
	B. Los inyectores de aire están obstruidos.	B. Utilice un cepillo interdental pequeño y vinagre blanco. Sumerja el cepillo en el vinagre, cepille el orificio, enjuague el cepillo en agua limpia y luego utilice el cepillo enjuagado para enjuagar el orificio.
	C. La válvula de retención no funciona.	C. Reemplace la válvula de retención. Consulte al instalador o distribuidor mayorista.
	D. El motor soplador no funciona.	D. Reemplace el motor soplador. Consulte al instalador o distribuidor mayorista.
	E. El control no funciona.	E. Reemplace el control. Consulte al instalador o distribuidor mayorista.
8. El motor soplador funciona, se forman burbujas de aire, los controles de zonas funcionan, pero la característica de velocidad variable no funciona.	A. La entrada del motor soplador está obstruida.	A. Limpie la entrada del motor soplador.
	B. El arnés de cables está flojo, desconectado o dañado.	B. Compruebe que los cables estén correctamente conectados. Reemplace el arnés de cables de ser necesario. Consulte al instalador o distribuidor mayorista.
	C. El teclado no funciona.	C. Reemplace el teclado. Consulte al instalador o distribuidor mayorista.
	D. El motor soplador no funciona.	D. Reemplace el motor soplador. Consulte al instalador o distribuidor mayorista.

Procedimientos de reparación (cont.)

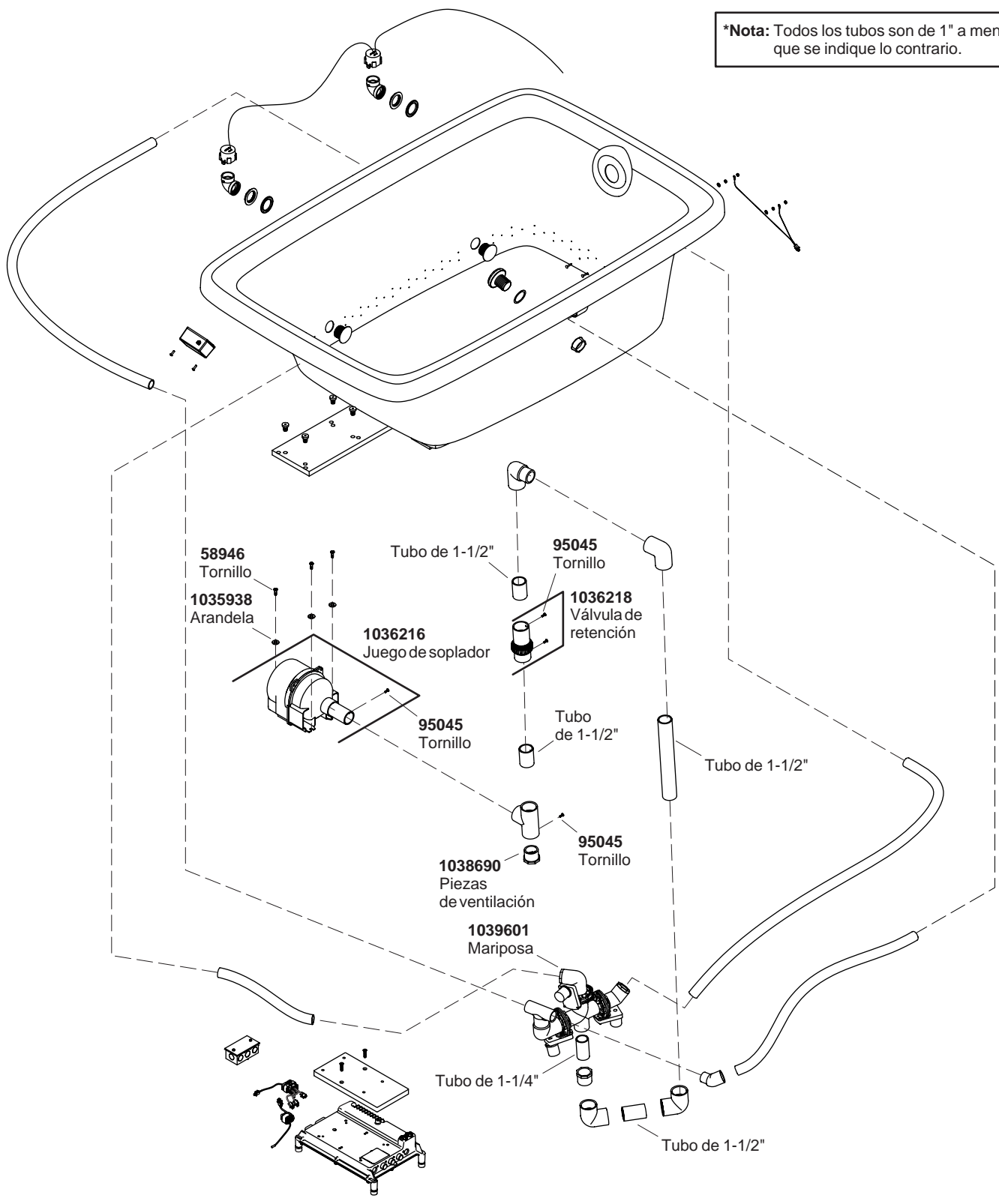
Síntomas	Causas probables	Acción recomendada
	E. El control no funciona.	E. Reemplace el control. Consulte al instalador o distribuidor mayorista.
9. El motor soplador no se apaga cuando se oprime el botón de encendido/apagado en el teclado.	A. El teclado no funciona.	A. Reemplace el teclado. Consulte al instalador o distribuidor mayorista.
	B. El arnés de cables está flojo, desconectado o dañado.	B. Compruebe que los cables estén correctamente conectados. Reemplace el arnés de cables de ser necesario. Consulte al instalador o distribuidor mayorista.
	C. El control no funciona.	C. Reemplace el control. Consulte al instalador o distribuidor mayorista.
10. Una zona no produce burbujas de aire pero otra zona funciona con normalidad.	A. La zona no está seleccionada.	A. Seleccione la zona conforme a las instrucciones en la sección "Modos/funciones del teclado y bañera con inyectores de aire".
	B. La válvula de mariposa no funciona.	B. Reemplace la válvula de mariposa. Consulte al instalador o distribuidor mayorista.
	C. El arnés de cables está flojo, desconectado o dañado.	C. Compruebe que los cables estén correctamente conectados. Reemplace el arnés de cables de ser necesario. Consulte al instalador o distribuidor mayorista.
	D. El teclado no funciona.	D. Reemplace el teclado. Consulte al instalador o distribuidor mayorista.
	E. El control no funciona.	E. Reemplace el control. Consulte al instalador o distribuidor mayorista.
11. El modo de barrido no funciona.	A. El teclado no funciona.	A. Reemplace el teclado. Consulte al instalador o distribuidor mayorista.
	B. El control no funciona.	B. Reemplace el control. Consulte al instalador o distribuidor mayorista.
12. Se ha derramado agua o se han producidos daños debajo de la bañera.	A. El desagüe o rebosadero presentan fugas.	A. Repare o reemplace el montaje de desagüe conforme a las instrucciones del fabricante.
	B. La pared, cubierta, y/o la puerta de la ducha no se han sellado correctamente.	B. Aplique sellador de silicona en las juntas entre la bañera y la pared, cubierta o puerta.
	C. Los canales de aire acrílicos están agrietados.	C. Consulte al fabricante.

Para las bañeras con cromaterapia

Procedimientos de reparación (cont.)

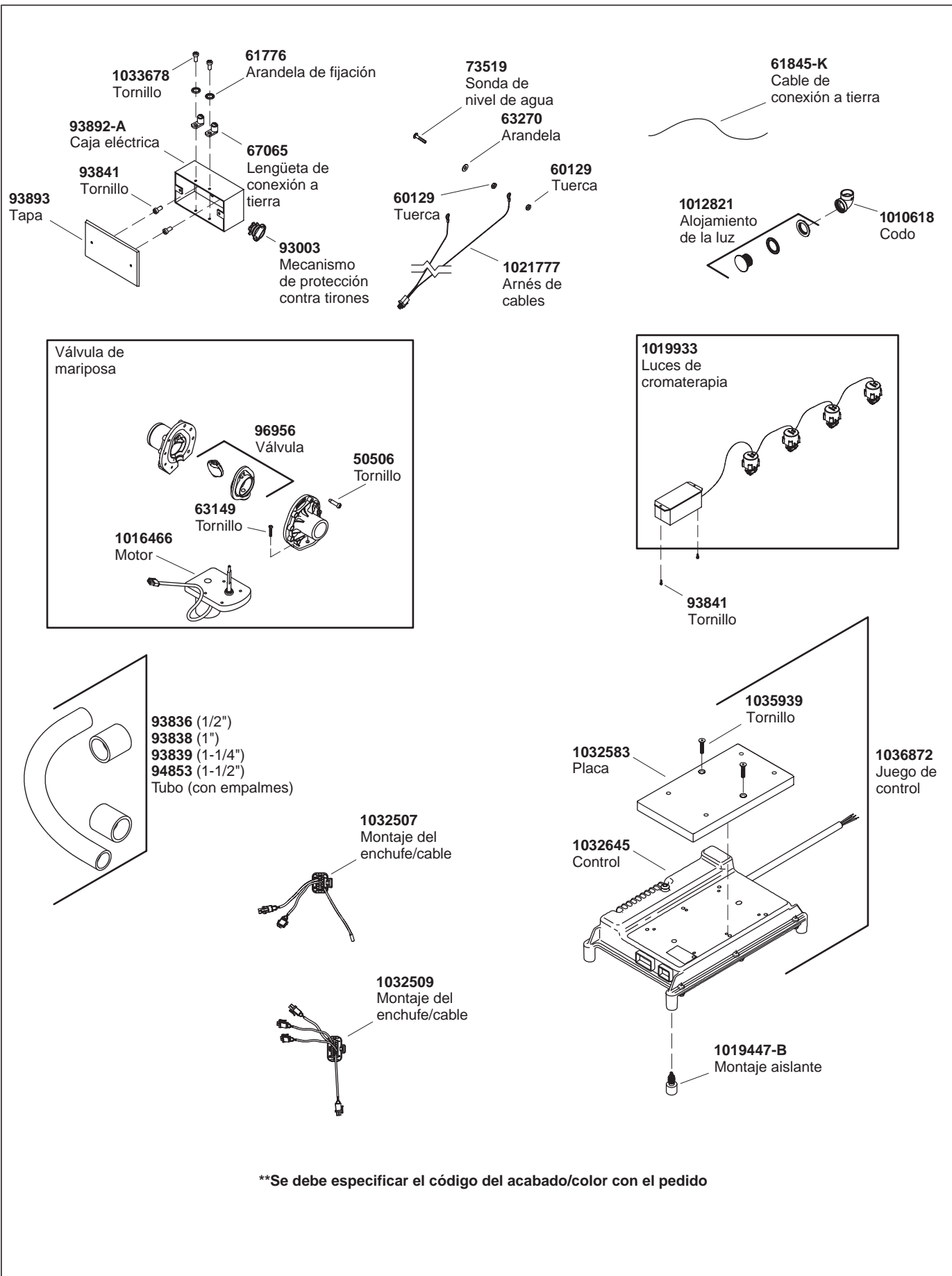
Síntomas	Causas probables	Acción recomendada
13. Las luces de cromaterapia no funcionan.	A. Los cables/conexiones están flojos, desconectados o dañados.	A. Compruebe que los cables estén correctamente conectados. Reemplace los cables de ser necesario. Consulte al instalador o distribuidor mayorista.
	B. El control no funciona.	B. Reemplace el control. Consulte al instalador o distribuidor mayorista.

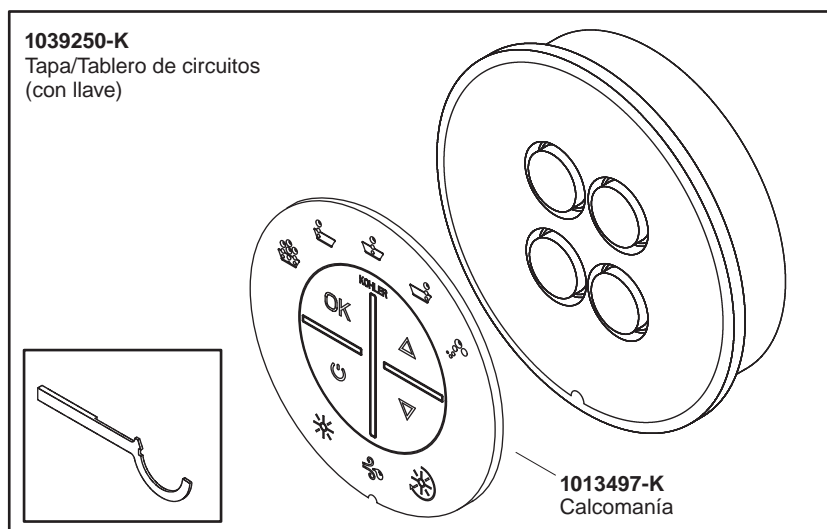
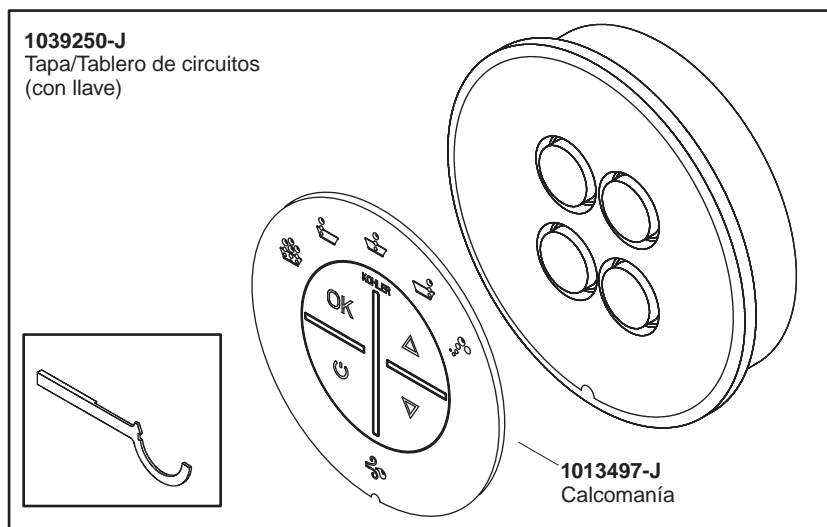
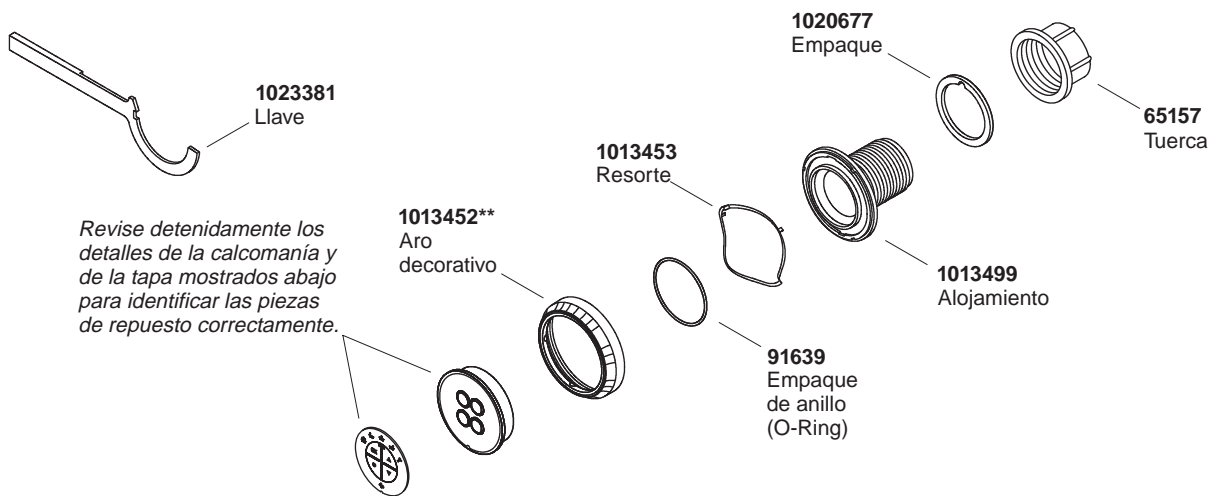
***Nota:** Todos los tubos son de 1" a menos que se indique lo contrario.



****Se debe especificar el código del acabado/color con el pedido.**

Piezas de repuesto





****Se debe especificar el código del acabado/color con el pedido**

USA: 1-800-4-KOHLER
Canada: 1-800-964-5590
México: 001-877-680-1310

kohler.com

THE BOLD LOOK
OF **KOHLER**®

©2005 Kohler Co.

1043960-5-A