

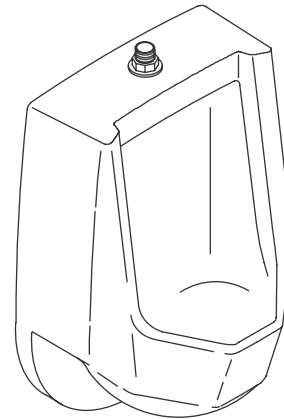
Features

- Vitreous china
- Siphon jet
- 3/4" top spud
- Includes inlet and outlet spuds and hangers
- 1 gpf (3.78 lpf)

Codes/Standards Applicable

Specified model meets or exceeds the following:

- ADA when rim is mounted no higher than 17" (43.2 cm) from finished floor
- ASME A112.19.2
- IAPMO/UPC
- ICC/ANSI A117.1
- Energy Policy Act of 1992 (EPACT)



Colors/Finishes

- 0: White
- Other: Refer to Price Book for additional colors/finishes

Specified Model

Model	Description	Colors/Finishes	
K-4989-T	3/4" top spud urinal	<input type="checkbox"/> 0	<input type="checkbox"/> Other _____

Product Specification

Siphon jet urinal shall be made of vitreous china with a 3/4" top spud. Urinal shall include inlet and outlet spuds and hangers. Urinal shall use 1 gpf (3.78 lpf). Urinal shall be Kohler Model K-4989-T-_____.

FRESHMAN™

Technical Information

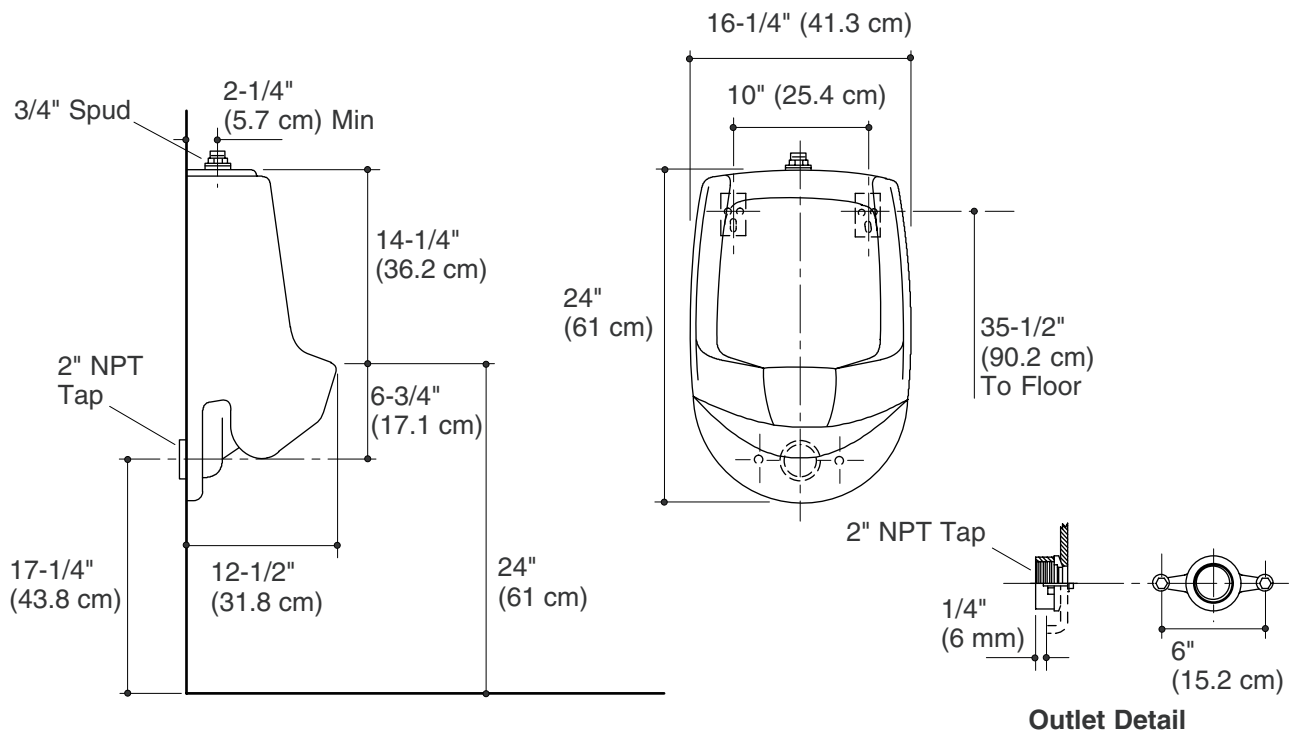
Urinal is ADA compliant when rim is mounted no higher than 17" (43.2 cm) from finished floor. ADA	
Fixture:	
Configuration	3/4" top spud
Gallons per flush	1 gal* (3.78 L)
Spud inlet size	3/4"
* Designed to flush with one gallon (3.78 L) of water when installed with a water saving flush valve.	

Included components:	
3/4" inlet spud	18376
2" outlet spud	18766
Hanger (2 required)	64512

Installation Notes

Install this product according to the installation guide.

Refer to manufacturer's instructions and local codes for flush valve requirements.



Product Diagram