

**ARTICULATING KITCHEN SINK
FAUCET
K-6227**

ADA

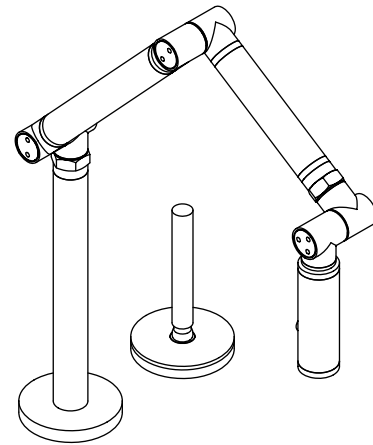
Features

- Metal and carbon fiber construction
- One-piece, self-contained ceramic disc valve allows both volume and temperature control
- Flexible connections for easy installation
- ADA compliant remote lever handle
- Integral sprayhead
- 2" (5.1 cm) diameter remote joystick valve
- Variable spout reach from less than 2" (5.1 cm) to over 13" (33 cm)
- For countertop-mount installation
- Lower flow aerator options available (refer to the Kohler Price Book)
- 2.2 gallons (8.3 L) per minute maximum flow rate

Codes/Standards Applicable

Specified model meets or exceeds the following at date of manufacture:

- ADA
- ASME A112.18.1/CSA B125.1
- ICC/ANSI A117.1
- Energy Policy Act of 1992
- NSF 61
- All applicable US Federal and State material regulations



Colors/Finishes

- CP: Polished Chrome
- VS: Stainless Steel
- Other: Refer to Price Book for additional colors/finishes

Specified Model

Model	Description	Colors/Finishes
K-6227	Articulating kitchen sink faucet	<input type="checkbox"/> CP <input type="checkbox"/> VS <input type="checkbox"/> Other ____

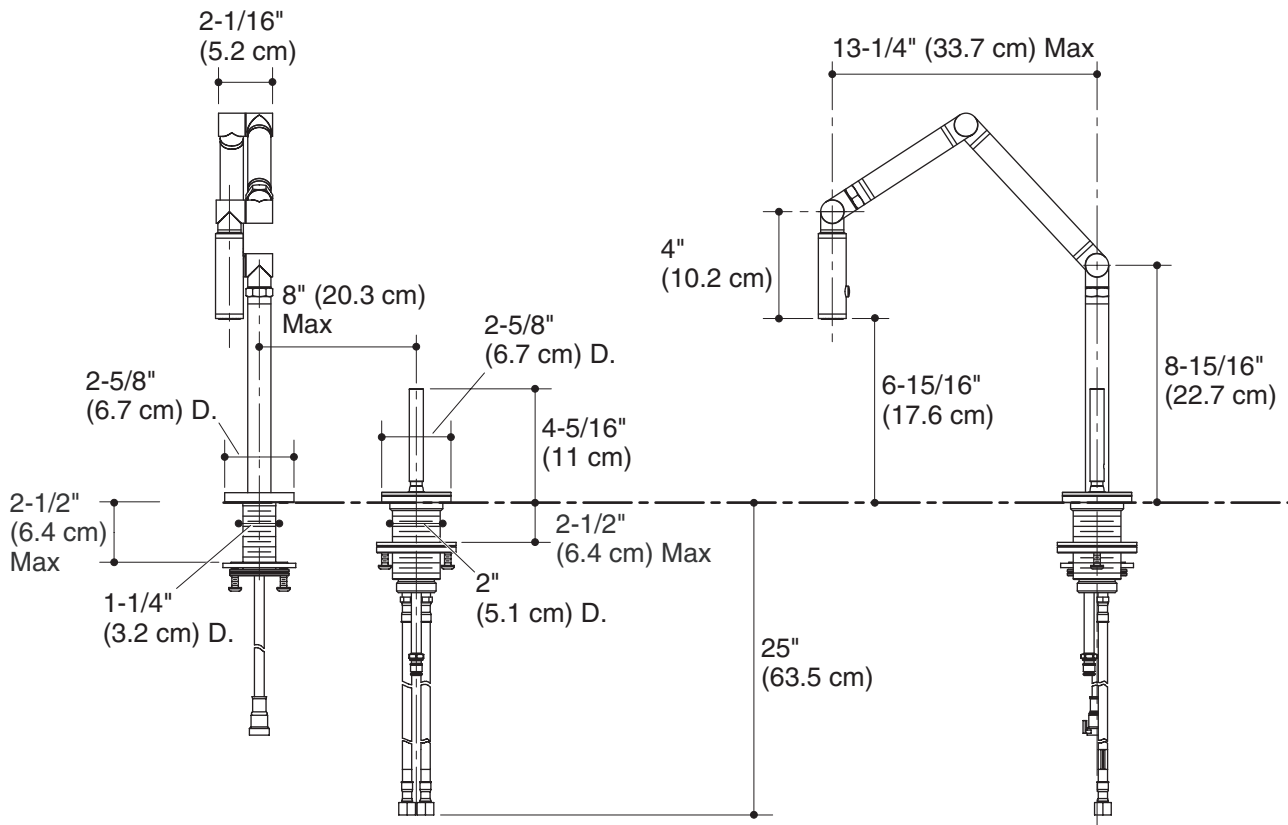
Product Specification

The articulating kitchen sink faucet shall be constructed of metal and carbon fiber. Product shall have a maximum flow rate of 2.2 gallons (8.3 L) per minute with lower flow aerator options available (refer to the Kohler Price Book). Product shall feature a one-piece, self-contained ceramic disc valve, which allows both volume and temperature control. Product shall feature an integral sprayhead and a 2" (5.1 cm) diameter remote joystick valve, and ADA compliant remote lever handle. Product shall feature a variable spout reach from less than 2" (5.1 cm) to over 13" (33 cm). Product shall feature flexible connections for easy installation. Product shall be for a countertop-mount installation. Faucet shall be Kohler Model K-6227-____.

KARBON™

Installation Notes

NOTICE: Due to the non-standard 2" (5.1 cm) diameter of the remote valve, the remote valve **cannot** be mounted through a standard 1-3/8" (3.5 cm) faucet hole of a sink. Choose a sink without faucet holes, then mount the faucet and remote valve through the countertop. Refer to the countertop manufacturer's instructions for proper hole drilling. Install this product according to the installation guide.



Product Diagram