

**FEATURES**

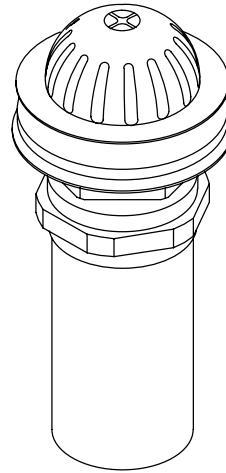
- Brass construction
- Intended for urinal installations
- Available with stainless steel beehive or china grate

**CODES/STANDARDS APPLICABLE**

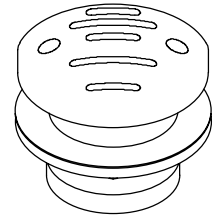
Specified model meets or exceeds the following:

- ASME/ANSI A112.18.1M
- CSA B125
- IAPMO/UPC

**STRAINER**  
**K-9161**  
**ALSO K-9172, K-9183**



K-9161  
K-9183



K-9172

**COLORS/FINISHES**

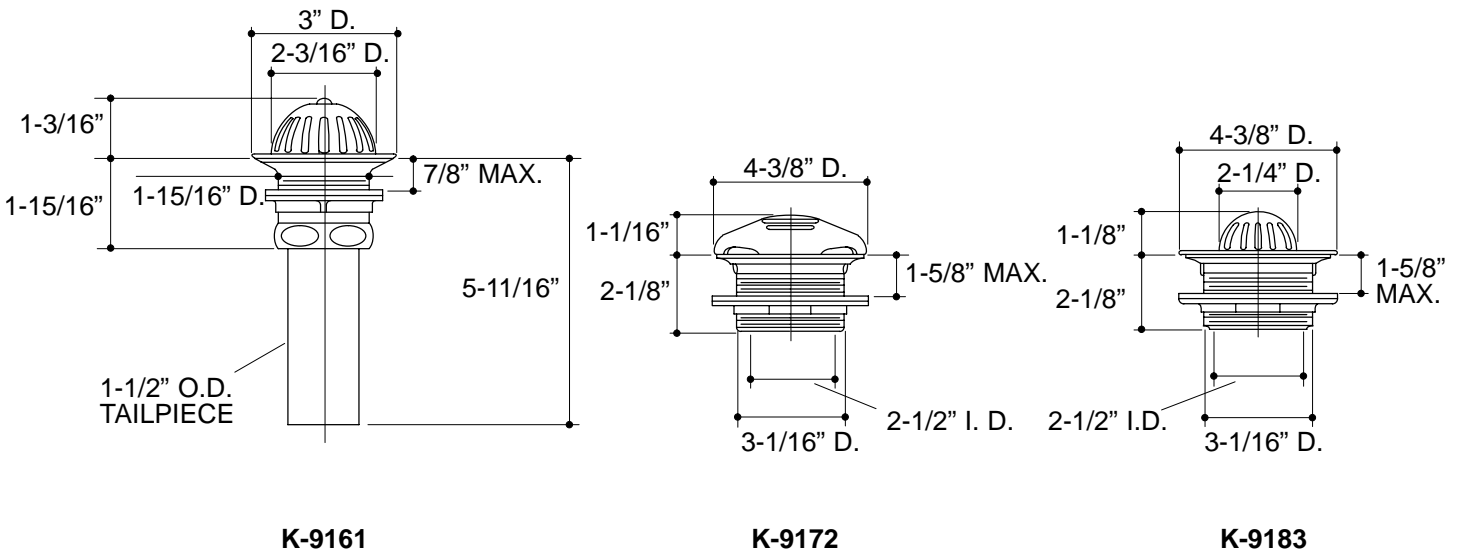
- NA Not applicable

**SPECIFIED MODEL:**

Model	Description			
K-9161	Beehive Strainer With Tailpiece	<input type="checkbox"/> NA		
K-9172	China Grate Strainer		<input type="checkbox"/> NA	
K-9183	Beehive Strainer Less Tailpiece			<input type="checkbox"/> NA

**PRODUCT SPECIFICATION:**

Urinal strainer shall be of brass construction. K-9161 is intended for enameled iron urinal installations. K-9172 and K-9183 are intended for vitreous china urinal installations with caulking 2" iron pipe or soldering 2" lead pipe connection. Strainer shall be Kohler Model K-\_\_\_\_\_ -NA.



316

## PRODUCT DIAGRAM