

Features

- Available 54 or 22 nozzle configurations
- 2.5 gallons (9.5 L) per minute maximum flow rate (at 80 psi)
- 1/2" NPT connections

SPRAYHEAD WITH HOUSING

K-8022
ALSO K-8023

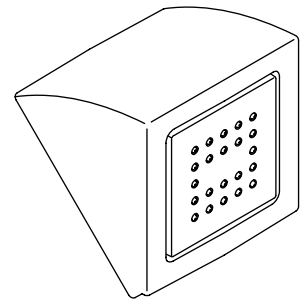
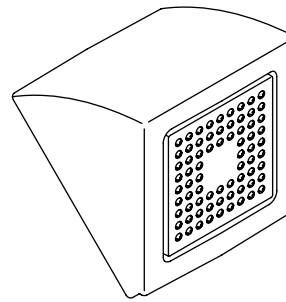
Codes/Standards Applicable

Specified model meets or exceeds the following:

- ASME A112.18.1
- CSA B125
- IAPMO/UPC
- Energy Policy Act of 1992 (EPACT)

K-8022

K-8023



Colors/Finishes

- CP: Polished Chrome
- Other: Refer to Price Book for additional colors/finishes

Specified Model

Model	Description	Colors/Finishes	
K-8022	54 nozzle sprayhead with housing	<input type="checkbox"/> CP	<input type="checkbox"/> Other_____
K-8023	22 nozzle sprayhead with housing	<input type="checkbox"/> CP	<input type="checkbox"/> Other_____

Product Specification

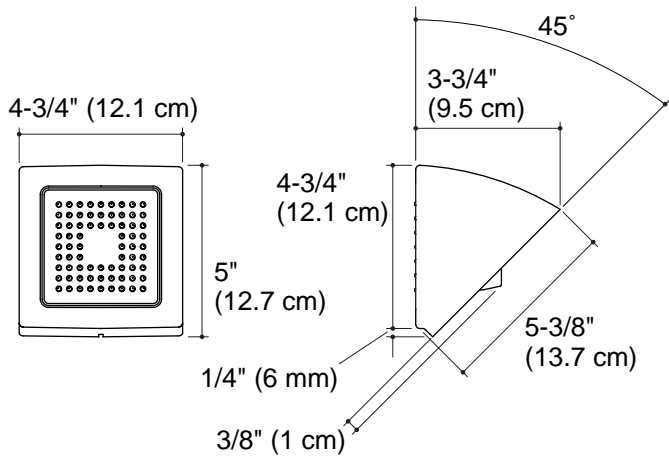
Sprayhead shall feature 54 or 22 nozzle configuration. Product flow rate shall be 2.5 gallons (9.5 L) per minute maximum at 80 psi. Sprayhead shall have 1/2" NPT connection. Sprayhead shall be Kohler Model K-____-____.

WATERTILE™

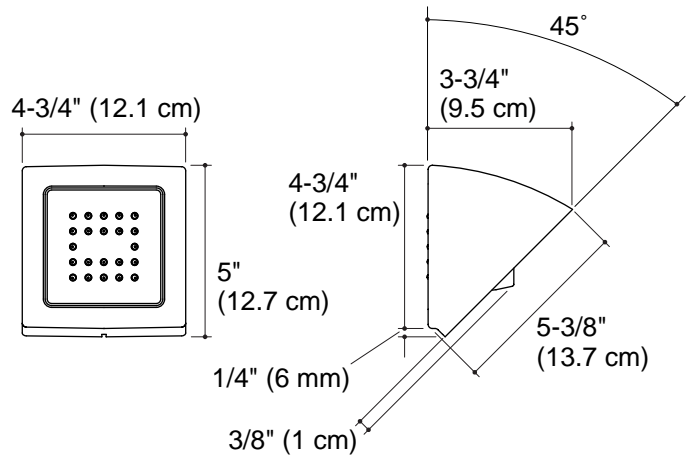
Installation Notes

Install this product according to the installation guide.

K-8022



K-8023



Product Diagram