

FEATURES

- 12" (30.5cm) rough-in
- Vitreous china
- Elongated bowl
- 1.6 gpf (6 lpf)
- Ingenium™ flushing system
- 2" (5cm) glazed trapway
- Combination toilet
- Less seat and supply
- With Insuliner® insulated tank lining (-U)



CODES/STANDARDS APPLICABLE

Specified model meets or exceeds the following:

- ASME/ANSI A112.19.2M
- ASME/ANSI A112.19.6M
- Energy Policy Act of 1992 (EPACT)
- IAPMO/UPC
- Canadian Standards Association (CSA)
- States of Massachusetts, New York, & Texas
- Cities of Los Angeles, CA

COLORS/FINISHES

- 0 White
- Other Refer to Fixtures Price Book for additional colors

Accessories:

- 0 White
- CP Polished Chrome
- PB Polished Brass
- Other Refer to Price Book for additional colors

SPECIFIED MODEL:

Model	Description	Colors/Finishes	
K-3591	Elongated bowl toilet	<input type="checkbox"/> 0 White	<input type="checkbox"/> Other_____
K-3591-U	Toilet with insuliner tank	<input type="checkbox"/> 0 White	<input type="checkbox"/> Other_____

Recommended Accessories			
K-4652	Lustra™ seat with cover	<input type="checkbox"/> 0 White	<input type="checkbox"/> Other_____
K-4652-A	Lustra™ seat with cover (includes anti-microbial agent)	<input type="checkbox"/> 0 White	
K-4752	Deluxe Triko™ seat with cover	<input type="checkbox"/> 0 White	<input type="checkbox"/> Other_____
K-4745	Vintage™ seat with cover	<input type="checkbox"/> CP	<input type="checkbox"/> PB
K-7637	Angle supply with stop	<input type="checkbox"/> CP	<input type="checkbox"/> PB <input type="checkbox"/> Other_____
Optional Accessories			
K-9437	Trip lever (non-CP)	<input type="checkbox"/> PB	<input type="checkbox"/> Other_____
K-113	Antique™ trip lever with wood insert	<input type="checkbox"/> PB	
K-114	Antique trip lever	<input type="checkbox"/> CP	<input type="checkbox"/> PB <input type="checkbox"/> Other_____
K-6822	IV Georges Brass™ trip lever	<input type="checkbox"/> PB	<input type="checkbox"/> Other_____

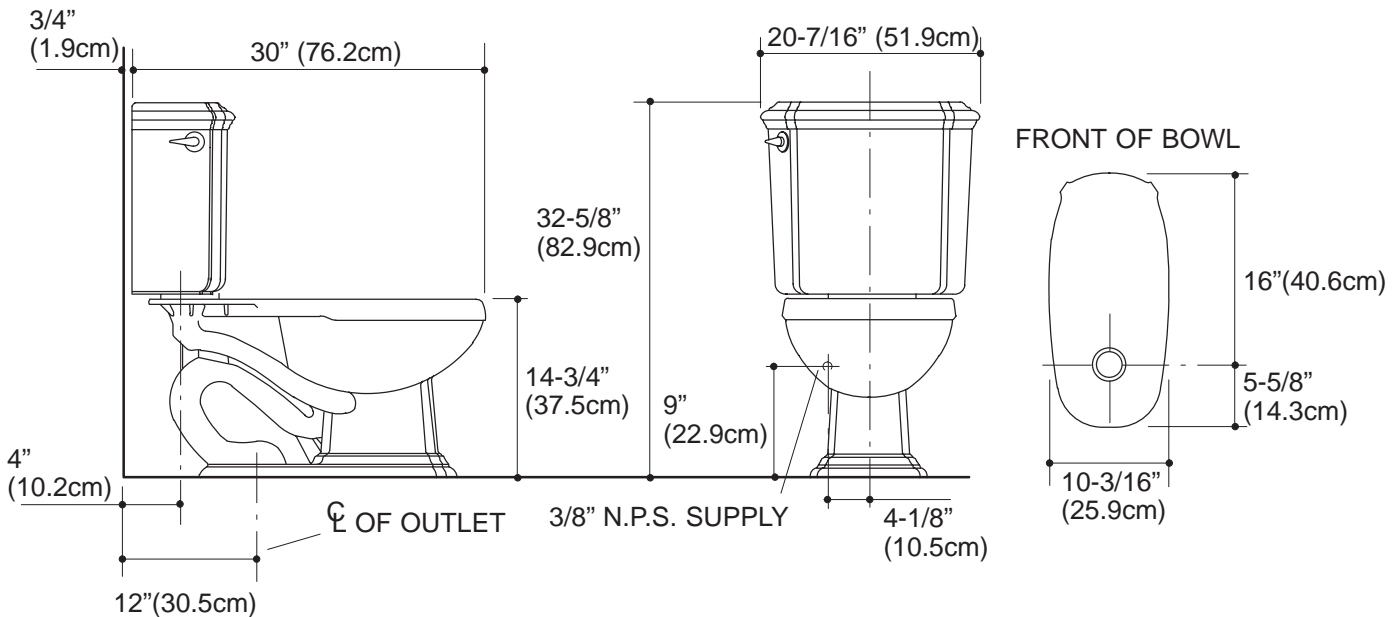
PRODUCT SPECIFICATION:

The elongated toilet combination shall be 12" (30.5cm) rough-in. Toilet shall be made of vitreous china. Toilet shall be 1.6 gpf (6 lpf) with Ingenium™ flushing system. Toilet shall have 2" (5cm) glazed trapway. Toilet shall include polished chrome trip lever. Toilet shall be less seat and supply. Toilet shall have Insuliner® insulated tank lining (-U). Toilet shall be Kohler Model K-3591-_____-_____.

PORTRAIT™

PRODUCT INFORMATION

Fixture:	
Configuration	2-piece, elongated
Water per flush	1.6 gallons (6L)
Passageway	2" (5cm)
Water depth from rim	5-3/4" (14.6cm)
Seat post hole centers	5-1/2" (14cm)
Included Components:	
Bowl	K-4317
Tank	K-4607
Tank cover	80625
Bolt cap accessory pack	52048
Tank accessory pack	73062



116

PRODUCT DIAGRAM