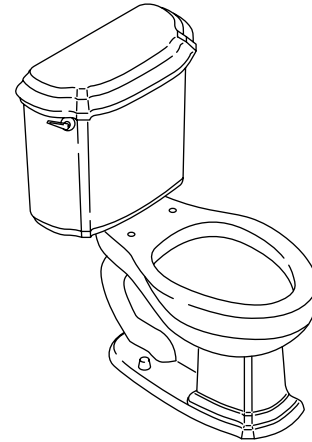


Features

- Vitreous china
- Combination toilet
- 12" (30.5 cm) rough-in
- 1.6 gpf (6 lpf)
- 2" (5.1 cm) glazed trapway
- Includes polished chrome trip lever
- Ingenium® flushing system
- Less seat and supply
- With Insuliner® insulated tank lining (-U)
- Elongated bowl
- 30" (76.2 cm) x 20-7/16" (51.9) x 32-5/8" (82.9 cm)



Codes/Standards Applicable

Specified model meets or exceeds the following:

- ASME A112.19.2
- Energy Policy Act of 1992
- IAPMO/UPC
- CSA International

Colors/Finishes

- 0: White
- Other: Refer to Price Book for additional colors/finishes

Accessories

- 0: White
- BR: New England Brass™
- CP: Polished Chrome
- PB: Vibrant® Polished Brass
- Other: Refer to Price Book for additional colors/finishes

Specified Model

| Model | Description | Trip Lever | Colors/Finishes | |
|----------|---------------------------------------|------------|----------------------------|-------------------------------------|
| K-3591 | Elongated bowl toilet | left-hand | <input type="checkbox"/> 0 | <input type="checkbox"/> Other_____ |
| K-3591-U | Elongated bowl toilet with Insuliner® | left-hand | <input type="checkbox"/> 0 | <input type="checkbox"/> Other_____ |

| Recommended Accessories | | | | |
|-------------------------|--|-----------------------------|-----------------------------|-------------------------------------|
| K-4636 | Closed-front toilet seat | | <input type="checkbox"/> 0 | <input type="checkbox"/> Other_____ |
| K-4755 | Solid oak toilet seat with cover | <input type="checkbox"/> BR | <input type="checkbox"/> CP | <input type="checkbox"/> Other_____ |
| K-7637 | Angle supply with stop – 3/8" NPT connection | <input type="checkbox"/> CP | <input type="checkbox"/> PB | <input type="checkbox"/> Other_____ |

| Optional Accessories | | | | |
|----------------------|---------------------|--|-----------------------------|-------------------------------------|
| K-9437 | Trip lever (non-CP) | | <input type="checkbox"/> PB | <input type="checkbox"/> Other_____ |

Product Specification

The elongated toilet combination shall be 30" (76.2 cm) in length, 20-7/16" (51.9) in width, and 32-5/8" (82.9 cm) in height. Toilet shall be made of vitreous china. Toilet shall feature a 12" (30.5 cm) rough-in, 2-1/8" (5.4 cm) glazed trapway, and polished chrome trip lever. Toilet shall feature a flush rate of 1.6 gpf (6 lpf) with Ingenium flushing system. Toilet shall be available with an Insuliner insulated tank lining [-U]. Toilet shall be less seat and supply. The toilet shall be Kohler Model K-3591-____ or K-3591-U-_____.

PORTRAIT®

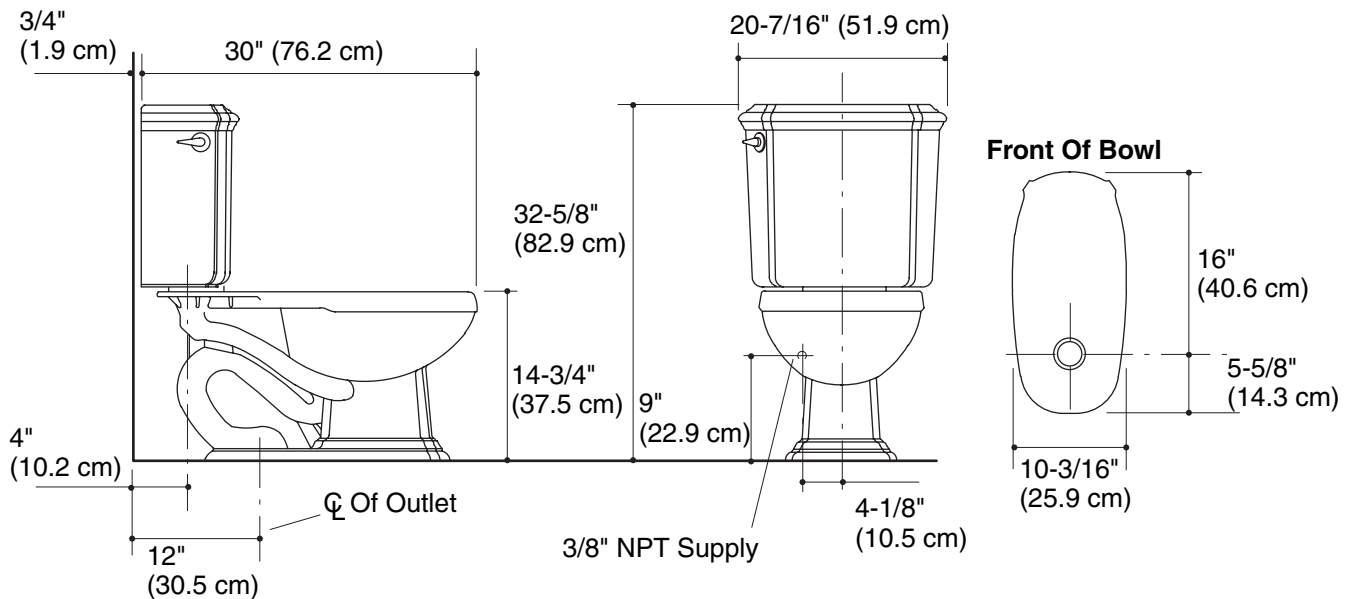
Technical Information

| | |
|------------------------|----------------------|
| Fixture: | |
| Configuration | two-piece, elongated |
| Flush rate | 1.6 gpf (6 lpf) |
| Passageway | 2" (5.1 cm) |
| Water depth from rim | 5-3/4" (14.6 cm) |
| Seat post hole centers | 5-1/2" (14 cm) |

| | |
|-------------------------|---------|
| Included components: | |
| Bowl | K-4317 |
| Tank | K-4607 |
| Tank cover | 80625 |
| Bolt cap accessory pack | 1013092 |
| Tank accessory pack | 73062 |

Installation Notes

Install this product according to the installation guide.



Product Diagram