

ADA

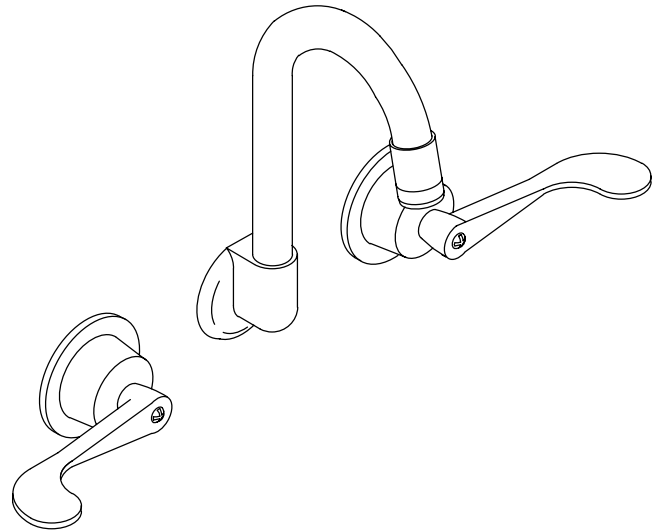
FEATURES

- Brass construction
- For 5-1/2" centers
- Brass valve bodies
- Quarter-turn washerless ceramic disc valves
- Intended for shelf-back installations
- 3-3/8" gooseneck spout
- Wristblade handles

CODES/STANDARDS APPLICABLE

Specified model meets or exceeds the following:

- ASME/ANSI A112.18.1M
- Energy Policy Act of 1992
- NSF 61



COLORS/FINISHES

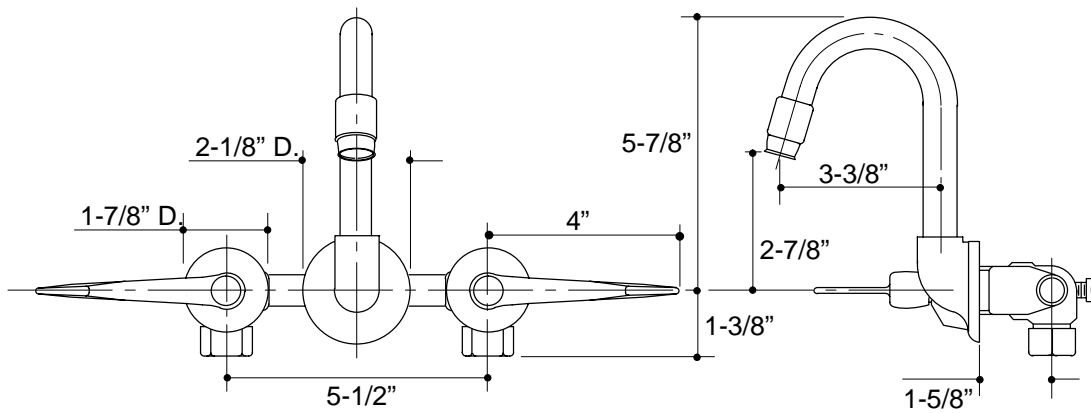
- CP Polished Chrome

SPECIFIED MODEL:

Model	Description	
K-7302-5A	Triton Shelf-Back Sink Faucet	<input type="checkbox"/> CP

PRODUCT SPECIFICATION:

Two-handle shelf-back sink faucet shall be of brass construction. Faucet shall feature brass valve bodies. Faucet shall feature quarter-turn washerless ceramic disc valves, assuring positive handle stop positioning. Product shall be less drain. Product shall include 5-1/2" centers, 3-3/8" gooseneck spout, and wristblade handles. Faucet shall be Kohler Model K-7302-5A-CP.



PRODUCT DIAGRAM