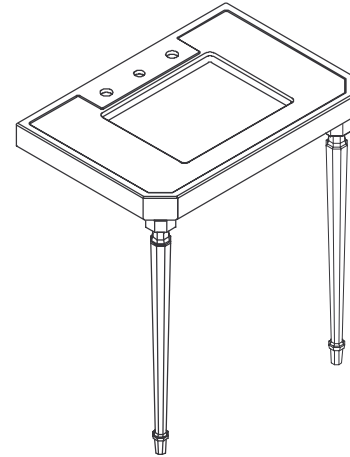


FEATURES

- 32" (81.3cm) x 22" (55.9cm) x 34" (86.4cm)
- Fireclay
- Includes table frame
- Pre-cut for Kathryn 17" (43.2cm) x 13" (33cm) undercounter lavatory (required)
- Pre-drilled for 10" (25.4cm) widespread faucet



CODES/STANDARDS APPLICABLE

Specified model meets or exceeds the following:

- None applicable

COLORS/FINISHES

- 0 White
- Other Refer to Price Book for additional colors

Accessories:

- CP Polished Chrome
- Other Refer to Price Book for additional colors

SPECIFIED MODEL:

Model	Description	Colors/Finishes	
K-3020	Kathryn Console Table	<input type="checkbox"/> 0 White	<input type="checkbox"/> Other_____

Required Accessories			
K-2312-G	Kathryn 17" (43.2cm) x 13" (33cm) undercounter lavatory with glazed underside	<input type="checkbox"/> 0 White	<input type="checkbox"/> Other_____
K-6839 *	Kathryn Octagonal Brass Legs	<input type="checkbox"/> CP	<input type="checkbox"/> Other_____
K-2317-AF *	Kathryn Octagonal Fireclay/French Gold Brass Legs	<input type="checkbox"/> 0 White	<input type="checkbox"/> Other_____
K-2317-BN *	Kathryn Octagonal Fireclay/Brushed Nickel Brass Legs	<input type="checkbox"/> 0 White	<input type="checkbox"/> Other_____
K-2317-CP *	Kathryn Octagonal Fireclay/Polished Chrome Legs	<input type="checkbox"/> 0 White	<input type="checkbox"/> Other_____
K-2317-SN *	Kathryn Octagonal Fireclay/Polished Nickel Legs	<input type="checkbox"/> 0 White	<input type="checkbox"/> Other_____
K-2318 *	Kathryn Square Fireclay Legs	<input type="checkbox"/> 0 White	<input type="checkbox"/> Other_____

* Only one set of legs is required.

PRODUCT SPECIFICATION:

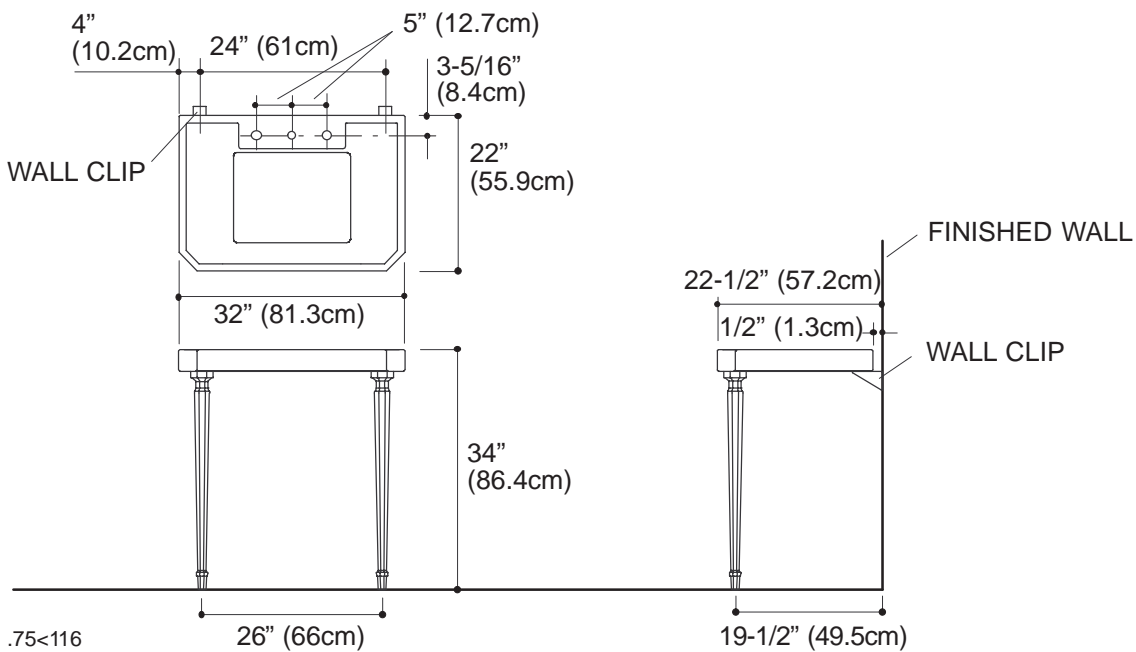
The console table shall be 32" (81.3cm) in length, 22" (55.9cm) in width and 34" (86.4cm) in height. Console table shall be made of Fireclay. Console table shall include table frame. Console table shall include pre-cut for Kathryn 17" (43.2cm) x 13" (33cm) undercounter lavatory. Console table shall be pre-drilled for 10" (25.4cm) widespread faucet. Console table shall be Kohler Model K-3020-_____.

INSTALLATION NOTES

Refer to installation instructions included with K-3020 before beginning installation.

Product is installed with 1/2" (1.3cm) gap between wall and console table.

Frame is included with K-3020.



PRODUCT DIAGRAM