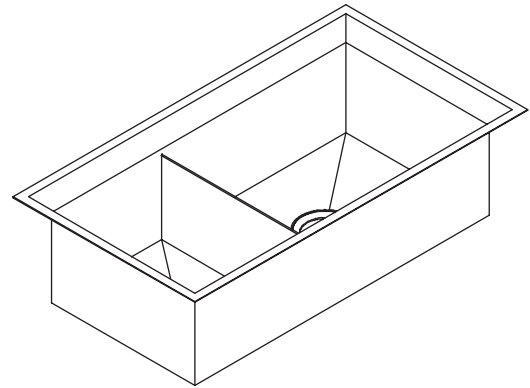


### Features

- 16 gauge stainless steel
- Mirror finished rim (-H)
- Undercounter
- Double (unequal) compartment
- Includes cutting board and bottom basin rack
- Includes installation hardware
- 29" (73.7 cm) x 14" (35.6 cm)

### UNDERCOUNTER KITCHEN SINK K-3160



### Codes/Standards Applicable

Specified model meets or exceeds the following:

- ASME A112.19.3
- IAPMO/UPC
- CSA B45

### Colors/Finishes

- NA: None applicable

#### Accessories:

- CP: Polished Chrome
- ST: Stainless Steel
- Other: Refer to Price Book for additional colors/finishes

### Specified Model

Model	Description	Colors/Finishes
K-3160 (ships as K-3389)	Undercounter sink	<input type="checkbox"/> NA
K-3160-H (ships as K-3389-H)	Undercounter sink, mirror finished rim	<input type="checkbox"/> NA
<b>Included Accessory</b>		
K-3140	Bamboo cutting board (for either basin)	<input type="checkbox"/> NA
K-3143	Bottom basin rack (for larger basin)	<input type="checkbox"/> ST
<b>Optional Accessory</b>		
K-8801	Duostrainer® sink strainer	<input type="checkbox"/> CP <input type="checkbox"/> Other_____

### Product Specification:

The undercounter kitchen sink shall be 29" (73.7 cm) in length and 14" (35.6 cm) in width. Sink shall be made of 16 gauge stainless steel. Sink shall have mirror finished rim (-H). Sink shall feature a double (unequal) compartment. Sink shall include cutting board, bottom basin rack, and installation hardware. Sink shall be Kohler Model K-3160-\_\_\_\_\_.

## Technical Information

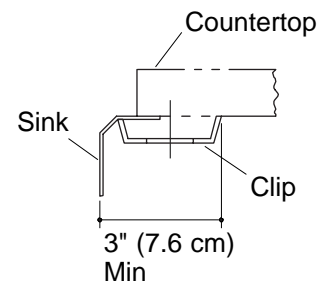
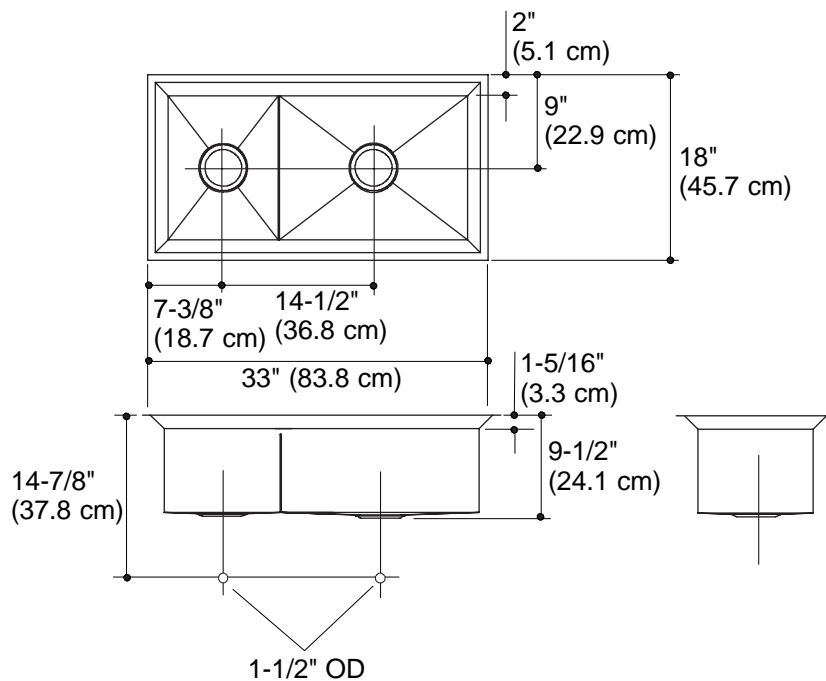
Fixture*:	Basin area	Water depth
Sink, left	10-11/16" (27.1 cm) x 14" (35.6 cm)	9-1/8" (23.2 cm)
Sink, right	18-3/16" (46.2 cm) x 14" (35.6 cm)	9-1/8" (23.2 cm)
Drain holes	3-5/8" (9.2 cm) D.	
* Approximate measurements for comparison only.		

Included components:	
Hardware kit	91915
Cut-out template	1021992-7

## Installation Notes

Install this product according to the installation guide.

Allow a minimum of 3" (7.6 cm) clearance around the sink rim for clip attachment.



## Product Diagram