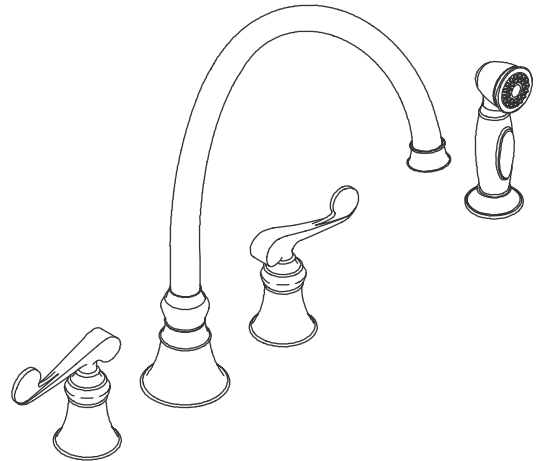


**KITCHEN SINK FAUCET
K-16109**

Features

- Brass construction
- For 8" (20.3 cm) centers
- Brass valve bodies
- Quarter-turn washerless ceramic disc valves
- 9-3/16" (23.3 cm) swing spout
- 2.2 gallons (8.3 L) per minute
- Lower flow aerator options are available (refer to the Kohler Price Book)
- Available with scroll or traditional handle
- Handspray
- Flexible connections for easy installation



Codes/Standards Applicable



Specified model meets or exceeds the following:

- ASME A112.18.1
- CSA B125
- IAPMO/UPC
- NSF 61
- Energy Policy Act of 1992 (EPACT)

Colors/Finishes

- CP: Polished Chrome
- BN: Brushed Nickel
- Other: Refer to Price Book for additional colors/finishes

Specified Model:

Model	Description				 ADA		
		<input type="checkbox"/> CP	<input type="checkbox"/> BN	<input type="checkbox"/> Other ____	<input type="checkbox"/> CP	<input type="checkbox"/> BN	<input type="checkbox"/> Other ____
K-16109-4	With scroll handles	<input type="checkbox"/> CP	<input type="checkbox"/> BN	<input type="checkbox"/> Other ____			
K-16109-4A	With traditional handles				<input type="checkbox"/> CP	<input type="checkbox"/> BN	<input type="checkbox"/> Other ____

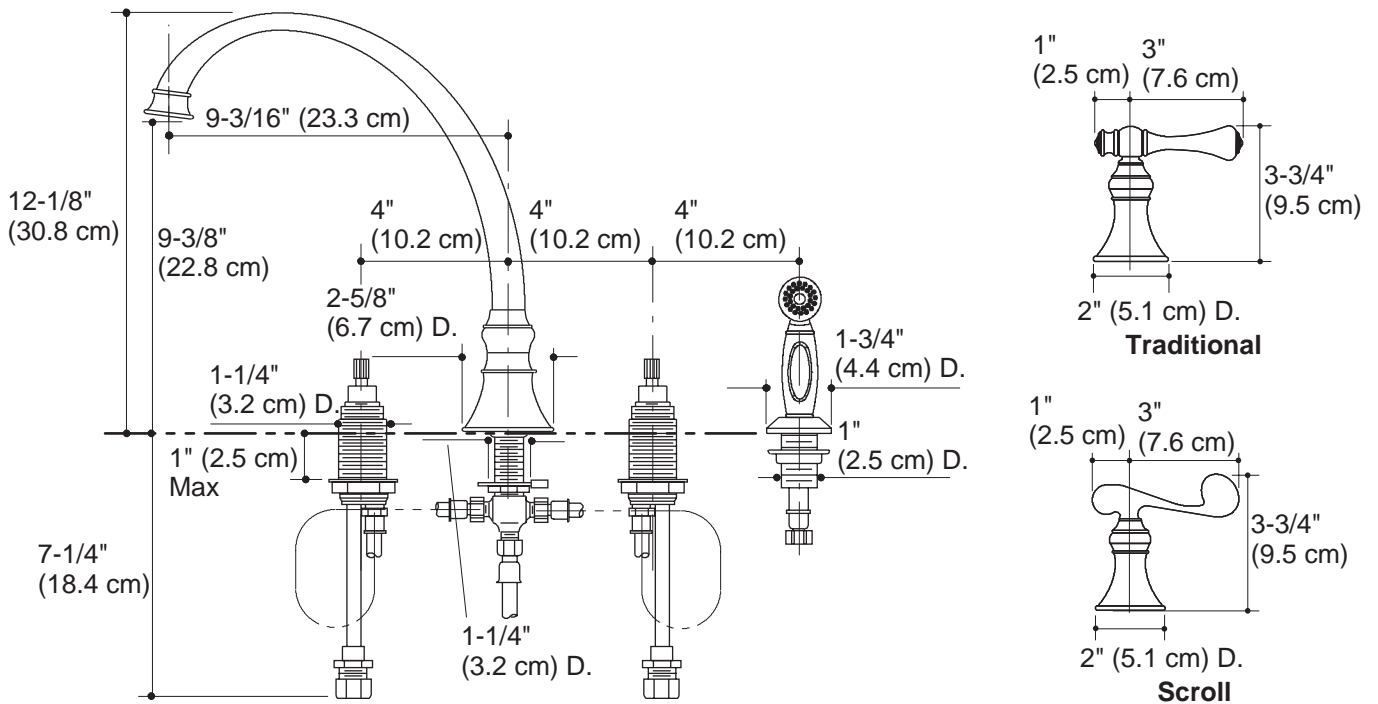
Product Specification

Two-handle kitchen faucet shall be of brass construction. Faucet shall feature brass valve bodies. Faucet shall feature quarter-turn washerless ceramic disc valves, assuring positive handle stop positioning. Product shall have lower flow aerator options. Product shall include 8" (20.3 cm) centers, 9-3/16" (23.3 cm) swing spout, handles, handspray, and flexible connections. Faucet shall be Kohler Model K-16109-____-____

REVIVAL®

Installation Notes

Install this product according to the installation guide.



Product Diagram