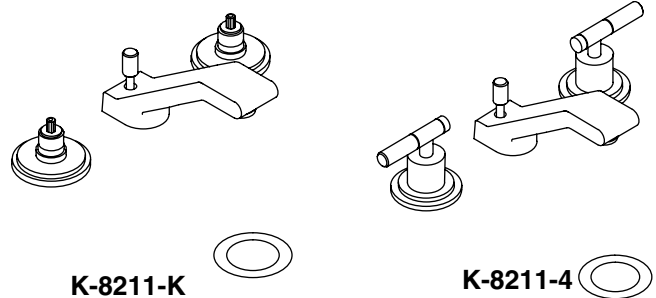


### LAVATORY FAUCET K-8211-K

ADA

#### Features

- Brass construction
- Brass valve bodies
- Quarter-turn washerless ceramic disc valves
- 2 gallons (7.5 L) per minute
- Lower flow aerator options are available (refer to the Kohler Price Book)
- Pop-up drain with lift rod and tailpiece
- Flexible connections for easy installation
- Variety of handle style options
- 4-15/16" (12.5 cm) spout



#### Codes/Standards Applicable


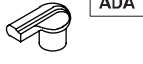
Specified model meets or exceeds the following:

- ASME A112.18.1/CSA B125.1
- Energy Policy Act of 1992 (EPACT)
- IAPMO/UPC
- NSF 61
- ADA

#### Colors/Finishes

- CP: Polished Chrome
- PB: Polished Brass
- Other: Refer to Price Book for additional colors/finishes

#### Specified Model

Model	Description	Colors/Finishes		
K-8211-K	Lavatory base faucet without handles	<input type="checkbox"/> CP	<input type="checkbox"/> PB	
K-8211-4	Lavatory faucet with lever handles	<input type="checkbox"/> CP	<input type="checkbox"/> PB	<input type="checkbox"/> Other_____
<b>Required Accessories (Includes Two Handles)</b>				
K-16070-4	Lever handles	<input type="checkbox"/> CP	<input type="checkbox"/> PB	
K-16070-4A	Swirl lever handles		<input type="checkbox"/> CP	<input type="checkbox"/> PB
K-16070-4C	Vandal-proof lever handles and aerator	<input type="checkbox"/> CP	<input type="checkbox"/> PB	

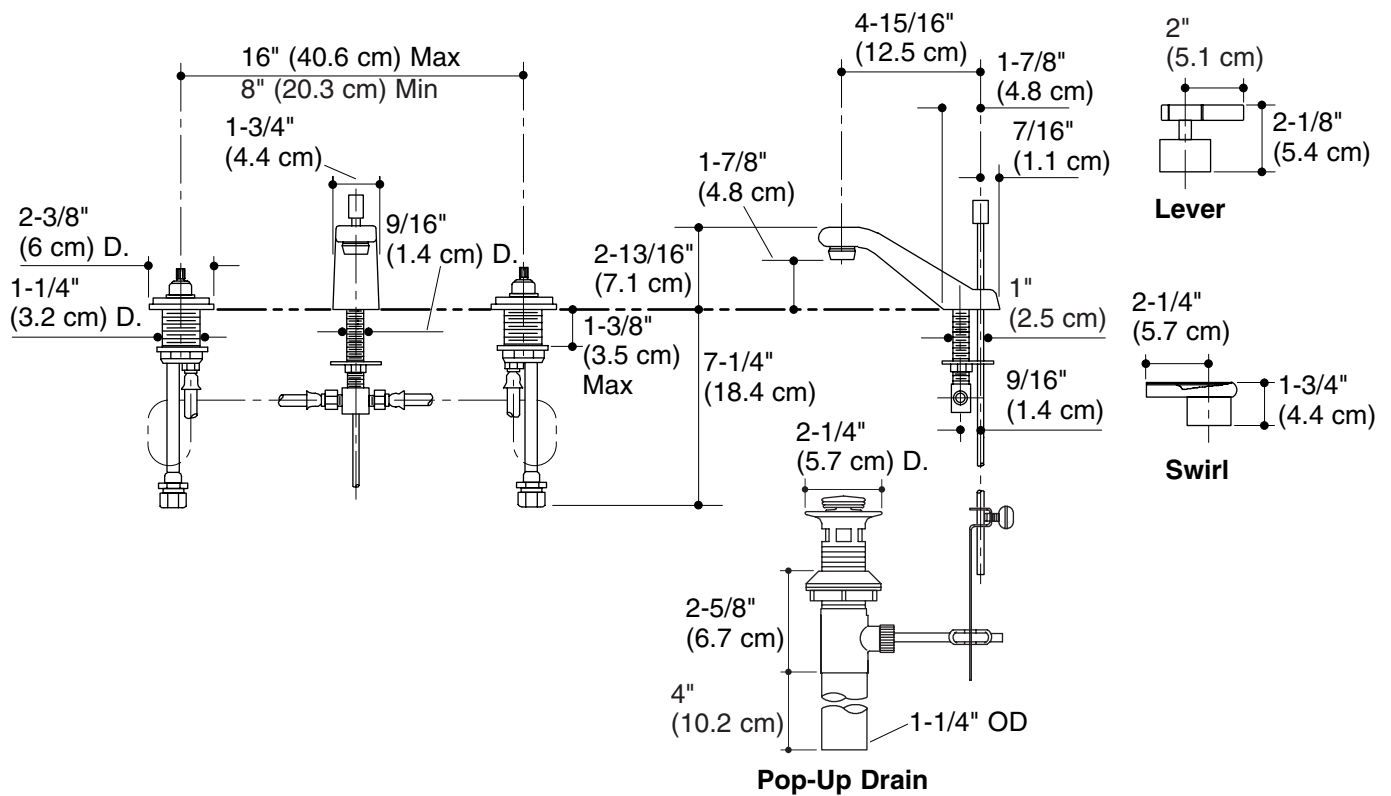
#### Product Specification

Two-handle widespread lavatory faucet shall be of brass construction. Faucet shall feature brass valve bodies. Faucet shall feature quarter-turn washerless ceramic disc valves, assuring positive handle stop positioning. Faucet shall be rated at 2.0 gallons (7.5 L) per minute. Faucet shall have lower flow aerator options. Faucet shall include flexible connections, 4-15/16" (12.5 cm) spout, and pop-up drain with lift rod and tailpiece. Base faucet shall be Kohler Model K-8211-K-\_\_\_\_\_ with Kohler Model K-16070-\_\_\_\_\_-\_\_\_\_\_ handles **OR** the complete faucet shall be Kohler Model K-8211-4-\_\_\_\_\_.

# TABORET®

## Installation Notes

Install this product according to the installation guide.



## Product Diagram