

VESSELS LAVATORY K-2661

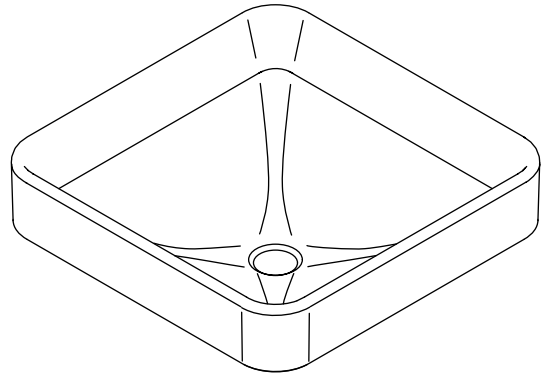
Features

- Vitreous china
- Above-the-counter
- With overflow
- 16-1/4" (41.3 cm) x 16-1/4" (41.3 cm)

Codes/Standards Applicable

Specified model meets or exceeds the following:

- ASME A112.19.2/CSA B45.1



Colors/Finishes

- 0: White

Specified Model

Model	Description	Colors/Finishes
K-2661	Vessels lavatory	<input type="checkbox"/> 0

Product Specification

The vessel lavatory shall be made of vitreous china. Lavatory shall be 16-1/4" (41.3 cm) in length and 16-1/4" (41.3 cm) in width and mounted above-the-counter. Lavatory shall have overflow. Lavatory shall be Kohler Model K-2661-0.

VOX

Technical Information

Fixture*:	
Basin area	15-3/4" (40 cm) x 15-3/4" (40 cm)
Water depth	3-3/4" (9.5 cm)
Drain hole	1-3/4" (4.4 cm) D.
* Approximate measurements for comparison only.	
Included components:	
Cut-out template	1144642-7

Installation Notes

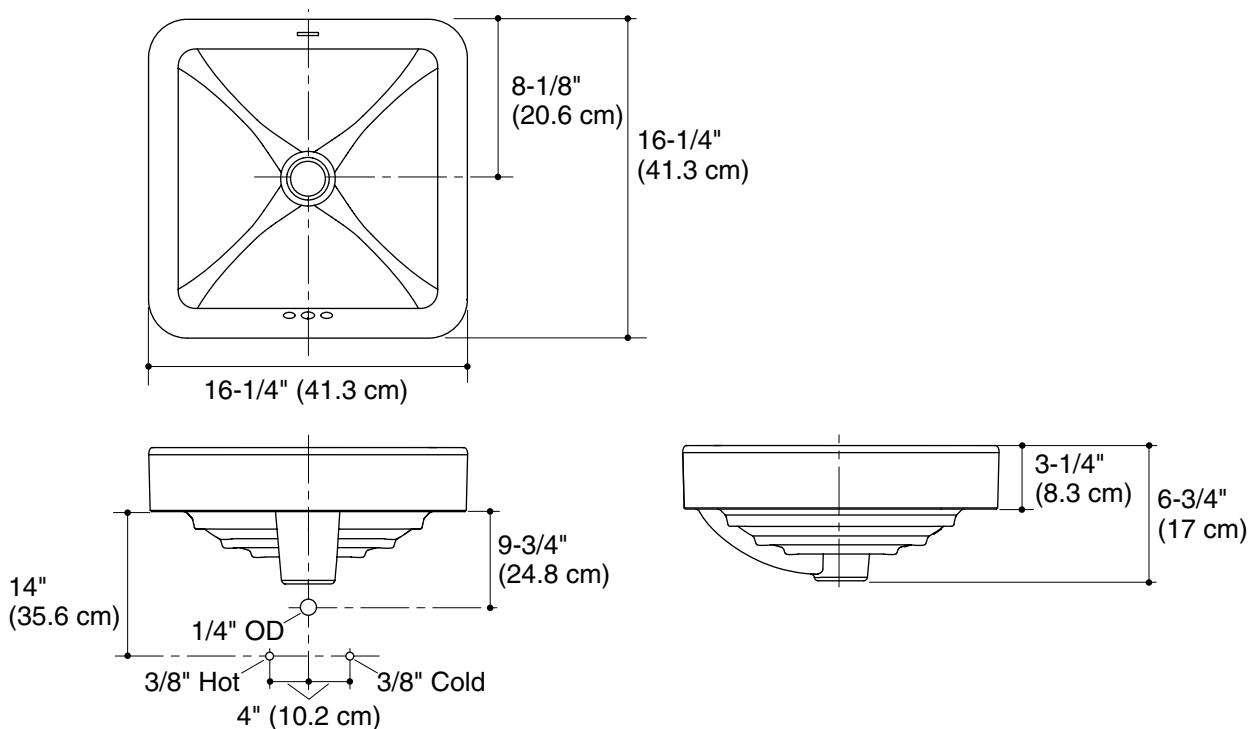
Install this product according to the installation guide.

Choose a faucet that will provide adequate clearance and will direct the water stream to the center of the lavatory.

Spout must be mounted high enough to clear 3-1/4" (8.3 cm) rim height and provide a 1" (2.5 cm) air gap per ASME A112.1.2.

NOTICE: Countertop manufacturer or cutter must use the cut-out template provided with the product or a current one provided by Kohler (call 1-800-For-KOHLER). Kohler is not responsible for cut-out errors when incorrect cut-out template is used.

Product rests on countertop. Consider height when designing installation.



Product Diagram