

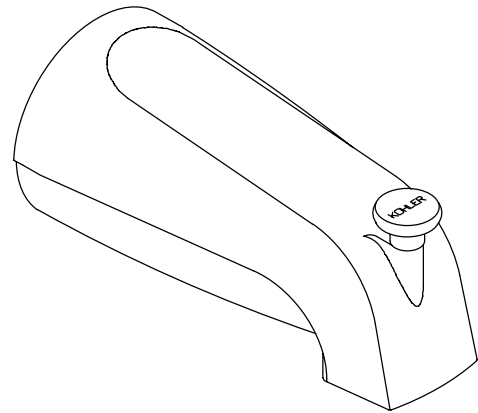
**FEATURES**

- Metal construction
- 4-5/8" diverter spout with N.P.T. or slip-fit connection

**CODES/STANDARDS APPLICABLE**

Specified model meets or exceeds the following:

- ASME/ANSI A112.18.1M



**COLORS/FINISHES**

- CP Polished Chrome
- PB Polished Brass

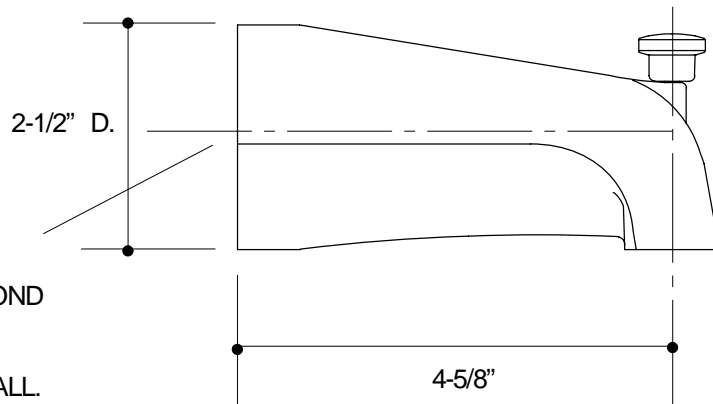
**SPECIFIED MODEL:**

Model	Description		
K-15136	With N.P.T. Diverter Bath Spout	<input type="checkbox"/> CP	<input type="checkbox"/> PB
K-15136-S	With Slip-Fit Diverter Bath Spout	<input type="checkbox"/> CP	<input type="checkbox"/> PB

**PRODUCT SPECIFICATION:**

Product shall be a wall-mount 4-5/8" diverter bath spout and shall be of metal construction. Spout shall be available with N.P.T. or slip-fit connection. Spout shall be Kohler Model K-15136-\_\_\_\_\_-\_\_\_\_\_.

1/2" N.P.T. PIPE OR 5/8" O.D. TUBING.  
FOR SLIP-FIT SPOUT, TUBING MUST  
EXTEND 1-1/2" MIN.; 2-7/8" MAX. BEYOND  
FINISHED WALL.  
FOR 1/2" N.P.T. SPOUT, PIPE MUST  
EXTEND 3-7/8" BEYOND FINISHED WALL.



## PRODUCT DIAGRAM