

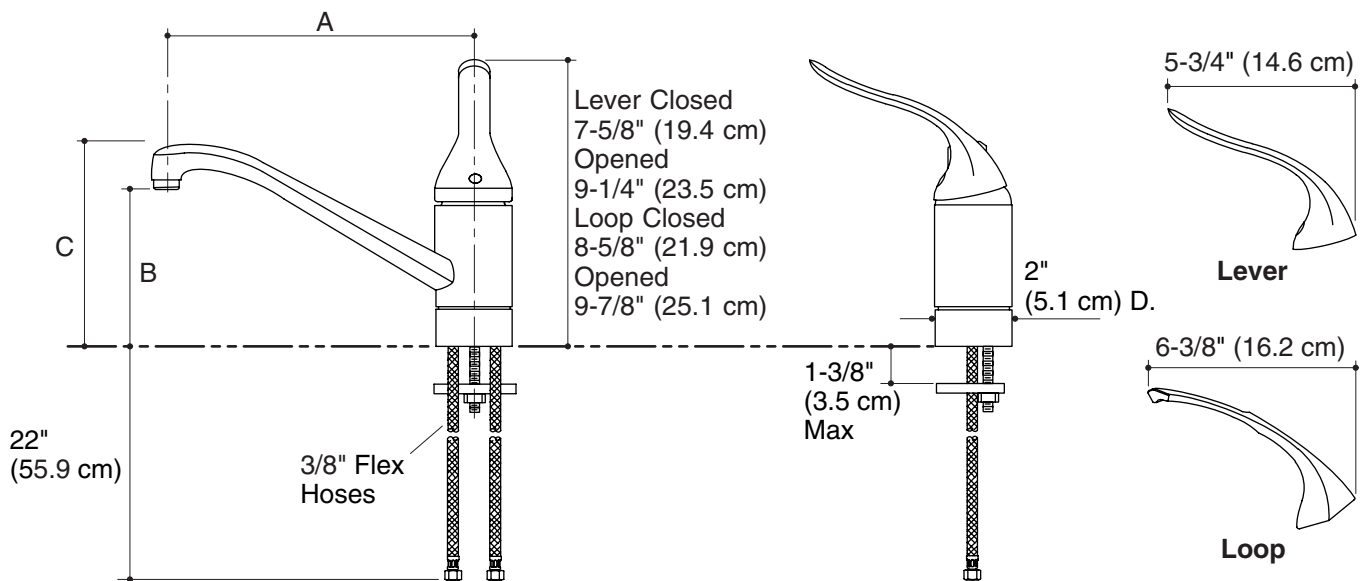
### Product Information

Project pack models, where applicable, are denoted by a <b>P</b> , such as (K- <b>P</b> 12345).		
Applicable product:	Lever handle	Loop handle
Kitchen sink faucet with 8-1/2" (21.6 cm) swing spout	K-15175-F	NA
Kitchen sink faucet with 10" (25.4 cm) swing spout	K-15175-FT	K-15175-FL
Handles are ADA compliant.		<b>ADA</b>

### Installation Notes

Install this product according to the installation guide.

Lower flow aerator options are available - please refer to the Kohler Price Book.



	A	B	C
K-15175-F	8-1/2" (21.6 cm)	5-1/8" (13 cm)	6-1/4" (15.9 cm)
K-15175-FT, K-15175-FL	10" (25.4 cm)	6-1/4" (15.9 cm)	7-1/4" (18.4 cm)