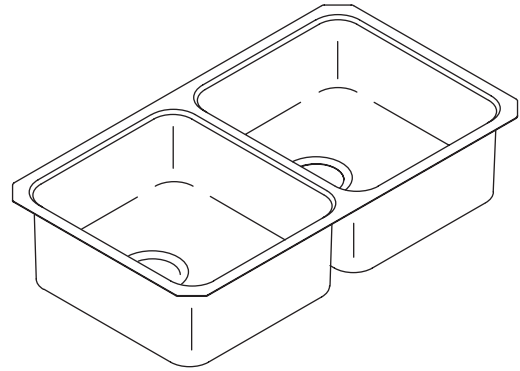


Features

- 18 gauge stainless steel
- Double (equal) compartment
- Undercounter
- Squared bowl(s)
- Includes installation hardware
- 29-1/4" (74.3 cm) x 15-3/4" (40 cm)

UNDERCOUNTER KITCHEN SINK K-3350



Codes/Standards Applicable

Specified model meets or exceeds the following:

- ASME A112.19.3
- IAPMO/UPC

Colors/Finishes

- NA: None applicable

Accessories:

- CP: Polished Chrome
- 0: White
- NA: None applicable
- Other: Refer to Price Book for additional colors/finishes

Specified Model

Model	Description	Colors/Finishes
K-3350	Undercounter sink	<input type="checkbox"/> NA

Optional Accessories			
K-3190	Bottom basin rack (for either basin)	<input type="checkbox"/> 0 White	<input type="checkbox"/> Other _____
K-3277	Wire basket (for either basin)	<input type="checkbox"/> 0 White	<input type="checkbox"/> Other _____
K-3294	Hardwood cutting board (for either basin)	<input type="checkbox"/> NA	
K-8801	Duostrainer® sink strainer	<input type="checkbox"/> CP	<input type="checkbox"/> Other _____

Product Specification:

The undercounter kitchen sink shall be 29-1/4" (74.3 cm) in length and 15-3/4" (40 cm) in width. Sink shall be made of 18 gauge stainless steel. Sink shall feature double (equal) compartment with squared bowls. Sink shall include installation hardware. Sink shall be Kohler Model K-3350.

UNDERTONE™

Technical Information

Fixture*:	
Basin areas	14" (35.6 cm) x 15-3/4" (40 cm)
Water depth	7-1/2" (19.1 cm)
Drain holes	3-5/8" (9.2 cm) D.
*Approximate measurements for comparison only.	

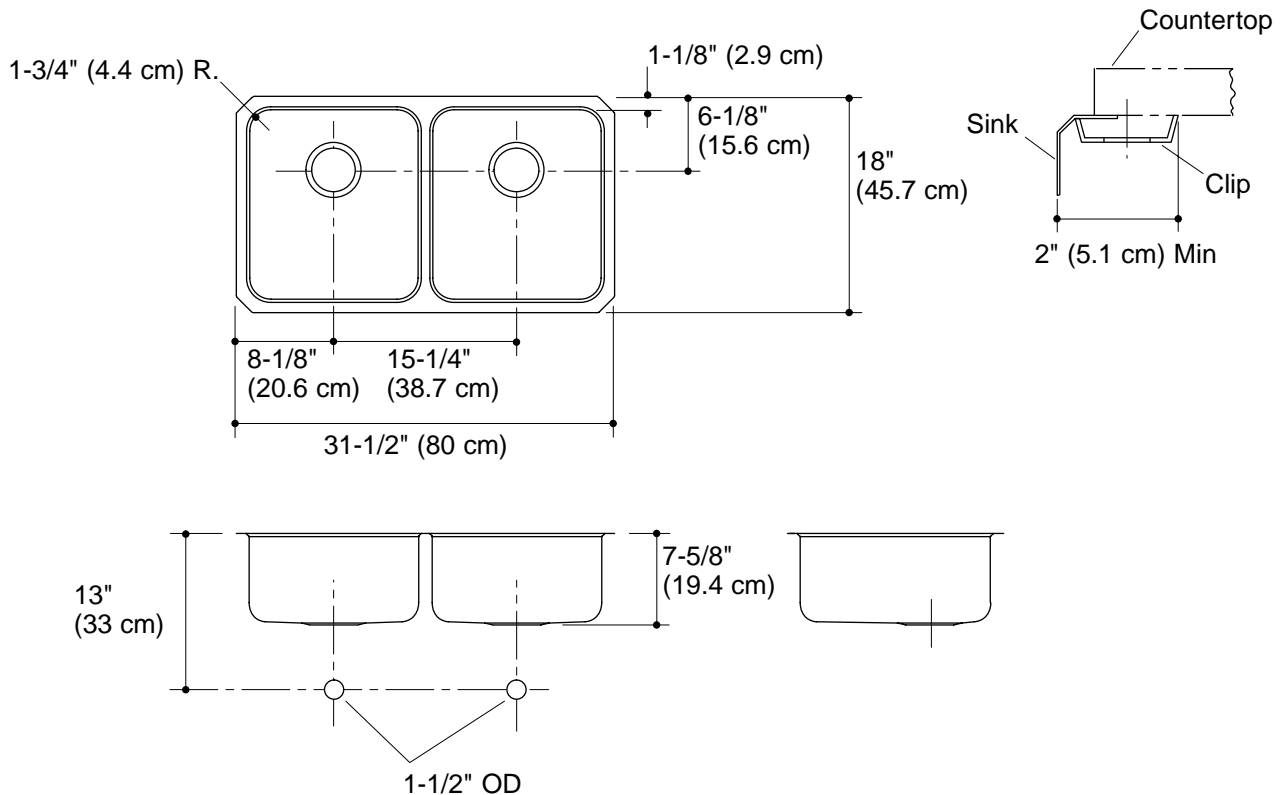
No Reveal Installation:	
29-1/4" (74.3 cm) x 15-3/4" (40 cm) x 1-3/4" (4.4 cm) radius corners	
Reveal Installation:	
30-3/4" (78.1 cm) x 17-1/4" (43.8 cm) x 2-1/2" (6.4 cm) radius corners	

Included components	
Hardware kit (4 required)	91915
Cut-out template	1040556-7

Installation Notes

Install this product according to the installation guide.

Allow a minimum of 2" (5.1 cm) clearance around the sink rim for clip attachment.



Product Diagram