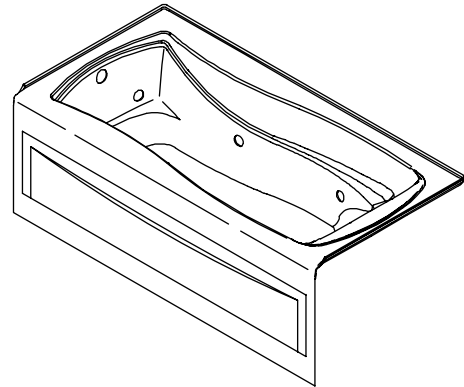


Features

- Integral apron with removable access panel
- Acrylic
- 1-1/4 HP pump with air switch and cord with plug
- In-line heater
- 6 individually adjustable multi-directional hydro-message jets
- UL listed
- Optional K-1491 removable pillow
- Optional K-1639 timer kit
- 72" (182.9 cm) x 36" (91.4 cm) x 20" (50.8 cm)

BATH WHIRLPOOL WITH INTEGRAL APRON K-1257-HL/HR



Codes/Standards Applicable

Specified model meets or exceeds the following:

- ANSI Z124.1
- ASME A112.19.7
- IAPMO/UPC
- Underwriter's Laboratories (UL)
- Listed in State of Massachusetts

Colors/Finishes

- 0: White
- Other: Refer to Price Book for additional colors/finishes

Accessories:

- CP: Polished Chrome
- PB: Polished Brass
- Other: Refer to Price Book for additional colors/finishes

Specified Model

Model	Description	Colors/Finishes	
K-1257-HL	Whirlpool with left drain, integral apron, heater	<input type="checkbox"/> 0 White	<input type="checkbox"/> Other _____
K-1257-HR	Whirlpool with right drain, integral apron, heater	<input type="checkbox"/> 0 White	<input type="checkbox"/> Other _____

Recommended Accessories				
K-7166-AF	Drain	<input type="checkbox"/> CP	<input type="checkbox"/> PB	<input type="checkbox"/> Other _____

Optional Accessories				
K-1491	Pillow	<input type="checkbox"/> 0 White	<input type="checkbox"/> Other _____	
K-1639	Timer kit			<input type="checkbox"/> NA
K-9696	Jet trim kit	<input type="checkbox"/> CP	<input type="checkbox"/> PB	<input type="checkbox"/> Other _____

Product Specification:

The bath whirlpool shall be 72" (182.9 cm) in length, 36" (91.4 cm) in width, and 20" (50.8 cm) in height. Bath whirlpool shall be made of acrylic. Bath whirlpool shall have 6 individually adjustable multi-directional hydro-massage jets, 1-1/4 HP pump with air switch and cord with plug and in-line heater. Bath whirlpool shall be UL listed. Bath whirlpool shall have optional K-1491 removable pillow. Bath whirlpool shall have optional K-1639 timer kit. Bath whirlpool shall be Kohler Model K-1257-HL/HR-_____.

MARIPOSA™

Technical Information

Left drain, integral apron	K-1257-HL	shown		
Right drain, integral apron	K-1257-HR	not shown		
Fixture:*	basin area	top area	weight	
Bathing well	50" (127 cm) x 24" (61 cm)	65" (165.1 cm) x 27" (68.6 cm)	115 lbs. (52.2 kg)	
	water depth	capacity		
To overflow	14" (35.6 cm)	72 gal. (272.5 L)		
* Approximate measurements for comparason only.				
Pump:	HP	V	Hz	A
1-speed	1-1/4	120	60	7.5
Heater:	kw	V	Hz	A
	1.5	120	60	12.5
No change in measurements if connected with drain illustrated. (K-7166-AF or K-7166M-AF)				
Faucet area				recommended

Required Electrical Services (2)

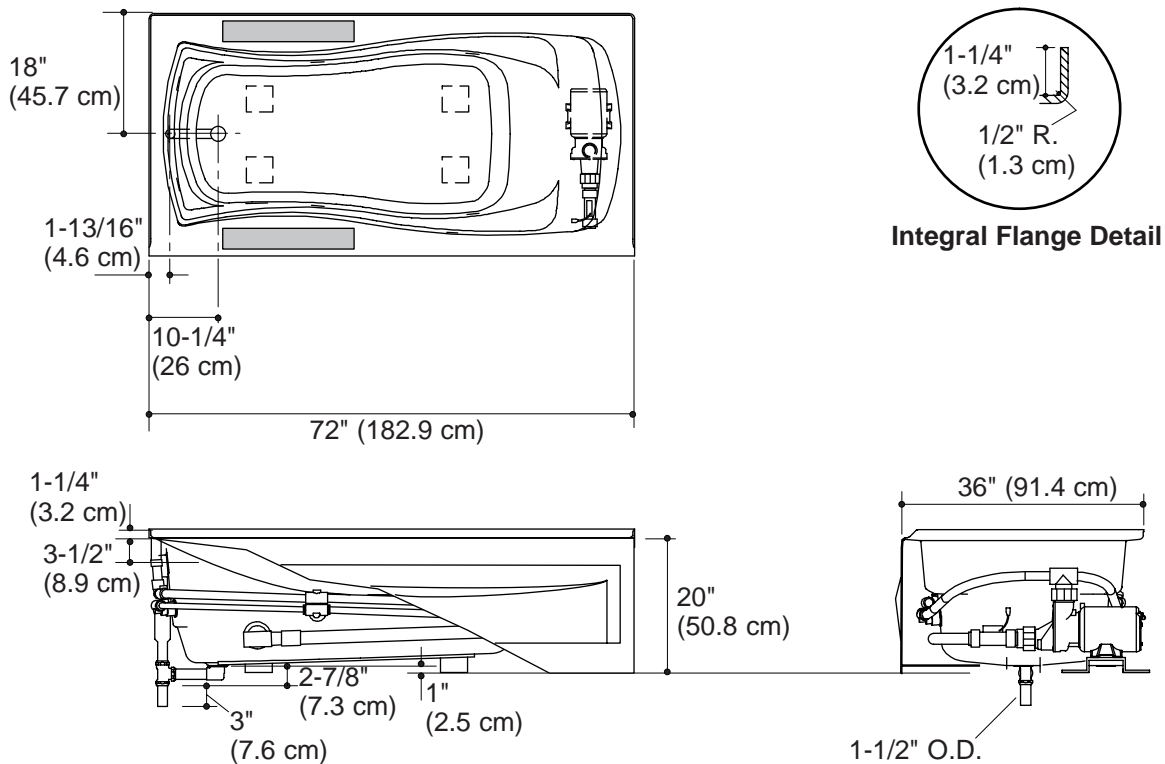
Two dedicated circuits required, each protected with Class A Ground-Fault Circuit-Interrupter (GFCI):	
Pump/control	120 VAC, 15 A, 60 Hz
Heater	120 VAC, 15 A, 60 Hz
Locate the outlet behind the whirlpool and within 24" (61 cm) of the pump and heater.	

Installation Notes

Install this product according to the installation guide.

Floor support under whirlpool must provide for a minimum of 80 lbs./square foot (390 kg/square meter) loading.

If installing a rim-mount faucet, make sure there is no interference with drain overflow and circulating system before drilling any holes. Consult local and national codes for minimum air gap requirements if installing a spout on the faucet deck.



Product Diagram