

## STEAM GENERATOR K-1708-NA

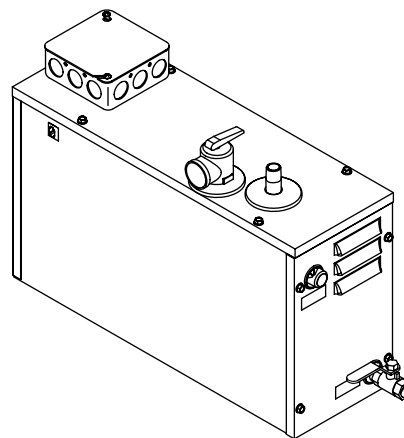
### Features

- 3 year warranty
- Steam generators can be installed up to 25' (7.6 m) away from steam bath area

### Codes/Standards Applicable

Specified model meets or exceeds the following:

- UL 499
- CSA C22.2 No. 88



### Colors/Finishes

- NA: None applicable

#### Accessories:

- CP: Polished Chrome
- PB: Polished Brass
- Other: Refer to Price Book for additional colors/finishes

### Specified Model

Model	Description	Colors/Finishes
K-1708-NA	Steam generator, 7 kW, fast response	<input type="checkbox"/> NA

**Required Accessories:** Choose either Option 1 or Option 2 below.

*Option 1:*

K-1647-PC	Steam control kit, power clean	<input type="checkbox"/> CP	<input type="checkbox"/> PB	<input type="checkbox"/> Other_____
-----------	--------------------------------	-----------------------------	-----------------------------	-------------------------------------

*Option 2:*

K-1737	Steam adaptor kit and steam head <b>AND</b>	<input type="checkbox"/> CP	<input type="checkbox"/> PB	<input type="checkbox"/> Other_____
K-694	Landscape digital interface <b>OR</b>			<input type="checkbox"/> Other_____
K-695	Portrait digital interface			<input type="checkbox"/> Other_____

**Optional Accessories:** Only available for use with Option 2 above.

K-657	Landscape auxiliary digital interface			<input type="checkbox"/> Other_____
K-658	Portrait auxiliary digital interface			<input type="checkbox"/> Other_____

### Product Specification:

The 7 kW steam generator shall have a three-year warranty. Product shall be installed up to 25' (7.6 m) away from the steam bath area. Steam generator shall be Kohler Model K-1708-NA.

## Technical Information

Water and drain requirements:	
Water supply	3/8" copper line, 3/8" NPT female thread
Steam line	1/2" copper line, 1/2" NPT female thread
Pressure relief valve	3/4" NPT female thread, valve supplied
Drain line	3/8" copper line, 3/8" NPT female thread, ball valve supplied
Generator:	
Weight	19-1/2 lbs (8.8 kg)
Electrical rating	240 V, 60 Hz, 50 A

## Required Electrical Service

Dedicated circuit required:	
Generator	7 kW, 240 V, 50 A, 60 Hz

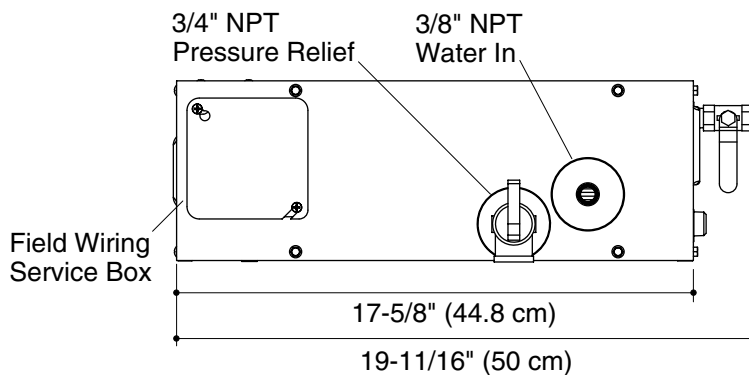
## Installation Notes

Install this product according to the installation guide.

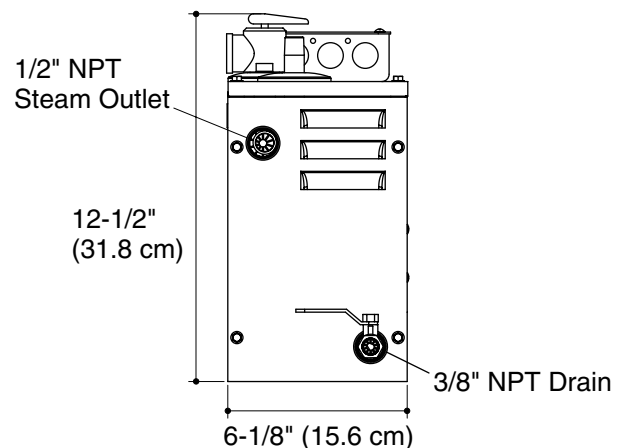
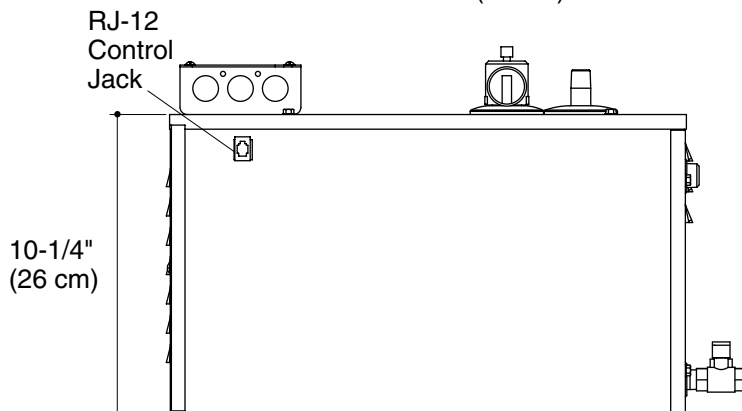
Factory sized: L x H x W = cubic feet. Choose the appropriate model. For every foot of ceiling height over 8 ft (2.4 m), use the next larger steam unit. Always round your measurements up. Wall material is irrelevant.

For this steam generator, do not exceed the maximum volume rating:

Steam generator model	Power rating	Maximum volume rating
K-1708-NA	7 kW	112 cu ft (3.2 cu m)



Minimum required access is 20" (50.8 cm) L x 13" (33 cm) H x 6-1/2" (16.5 cm) W.



## Product Diagram