

**VALVE TRIM
K-T955-4**

**ALSO K-300-K, K-301-K, K-302-K,
K-303-K**

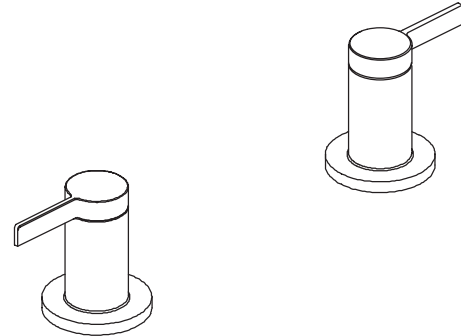
FEATURES

- Brass construction
- Deck/rim-mount

CODES/STANDARDS APPLICABLE

Specified model meets or exceeds the following:

- ASME/ANSI A112.18.1M
- CSA B125
- IAPMO/UPC

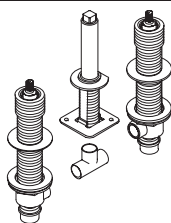
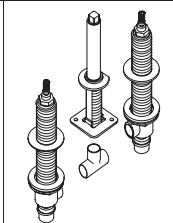
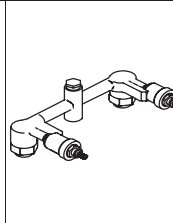
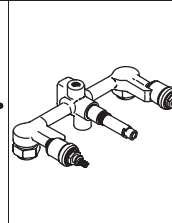


COLORS/FINISHES

- CP Polished Chrome
- PB Polished Brass
- Other Refer to Faucets Price Book for additional finishes

SPECIFIED MODEL: For complete faucet, both faucet trim and valve system must be specified.

Model	Description	
K-T955-4	Stillness™ Deck/Rim-Mount Valve Trim	<input type="checkbox"/> CP <input type="checkbox"/> PB <input type="checkbox"/> Other_____

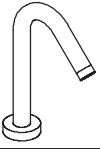
Required Accessory					
K-300-K	1/2" High-Flow Ceramic Disc Valve System	<input type="checkbox"/> NA			
K-301-K	3/4" High-Flow Ceramic Disc Valve System		<input type="checkbox"/> NA		
K-302-K	2-Handle 1/2" Ceramic Disc Valve System			<input type="checkbox"/> NA	
K-303-K	3-Handle 1/2" Ceramic Disc Valve System				<input type="checkbox"/> NA

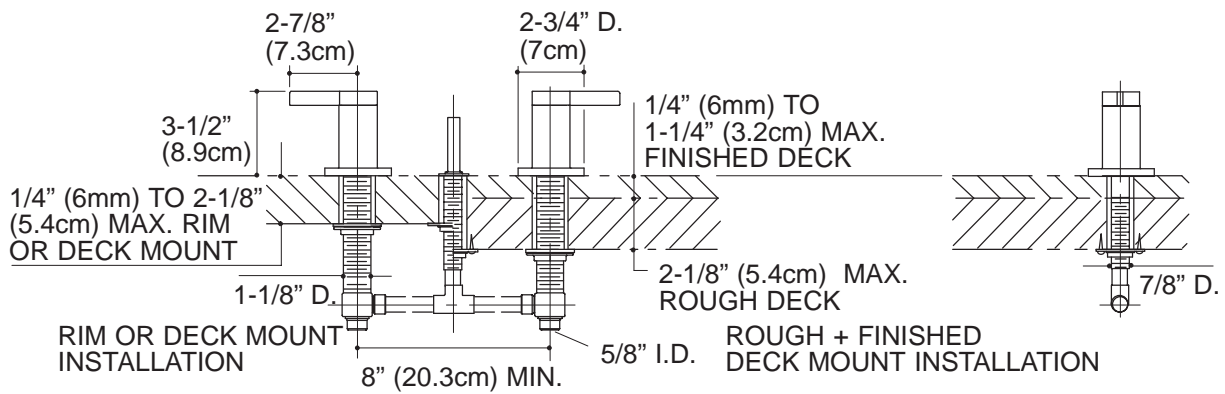
Optional Accessory on Page 2.

PRODUCT SPECIFICATION:

Two-handle deck/rim-mount high-flow bath faucet trim shall be of brass construction. Valve trim shall be Kohler Model K-T955-4 and valve system shall be Kohler Model K-_____-K-NA.

STILLNESS™

Optional Accessory		
K-956	Stillness™ Deck/Rim-Mount Spout Non-Diverter	<input type="checkbox"/> CP <input type="checkbox"/> PB



PRODUCT DIAGRAM