

CLW CABINET INSTRUCTIONS

CABINET MODELS: K-CB-CLW1526SS, K-CB-CLW2026SS, K-CB-CLW2030DAW

GENERAL NOTES

1. If you are **surface mounting** the cabinet on the wall see instructions on page 2.
2. A surface mounted cabinet requires the optional **Mirror kit** supplied with your cabinet.
3. If you are **recessing** the cabinet in the wall, see instructions below.
4. Call our customer service - **1.800.4.KOHLER** between 8 a.m. and 5 p.m. C.S.T. If you have any questions or require parts. Have the serial number from inside the cabinet before you call.
444 Highland Drive. • Kohler, WI 53044

One Year Limited Warranty

For the U.S.A. and Canada Only
KOHLER plumbing products are warranted to be free of defects in material and workmanship for one year from date of installation.

Kohler Co. will, at its election, repair, replace or make appropriate adjustment where Kohler Co. inspection discloses any such defects occurring in normal usage within one (1) year after installation. Kohler Co. is not responsible for removal or installation costs. Use of in-tank toilet cleaners will void the warranty.

To obtain warranty service contact Kohler Co. either through your Dealer, Plumbing Contractor, Home Center or E-tailer, or by writing Kohler Co., Attn.: Customer Service Department, 444 Highland Drive, Kohler, WI 53044, USA, or by calling 1-800-4-KOHLER from within the USA, 1-800-964-5590 from within Canada and 001-877-680-1310 from within Mexico.

Implied warranties including that of merchantability and fitness for a particular purpose are expressly limited in duration to the duration of this warranty. Kohler Co. and/or seller disclaims any liability for special, incidental or consequential damages.

Some states/provinces do not allow limitations on how long an implied warranty lasts, or the exclusion or limitation of special, incidental or consequential damages so these limitations and exclusions may not apply to you. This warranty gives you specific legal rights. You may also have other rights which vary from state/province to state/province.

This is Kohler Co.'s exclusive written warranty.

1. RECESSING THE CABINET INTO THE WALL.

Fig. 1

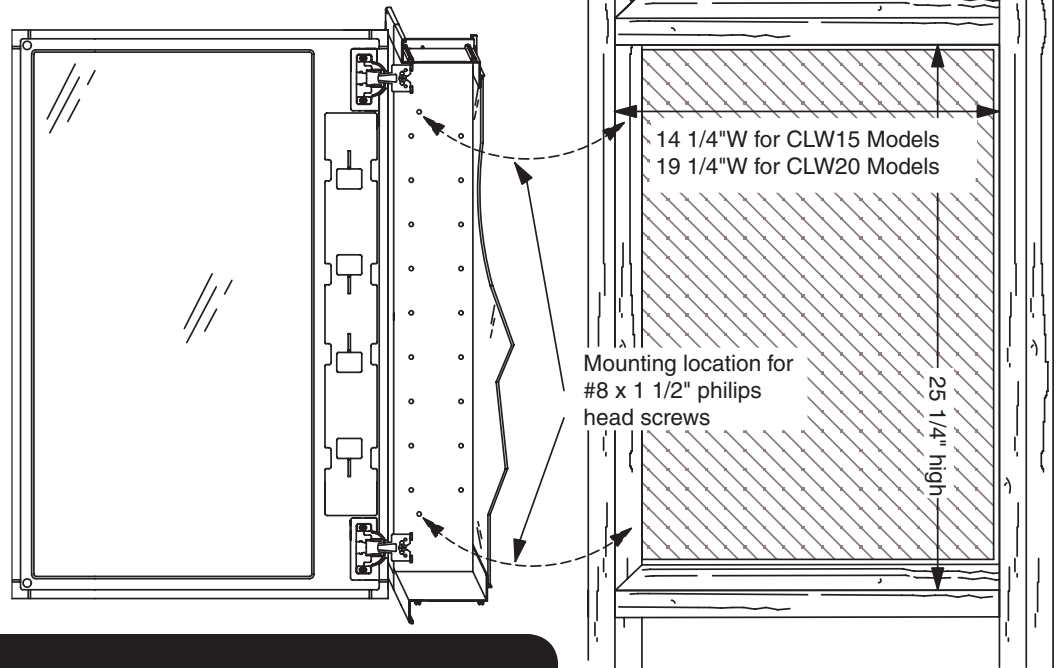
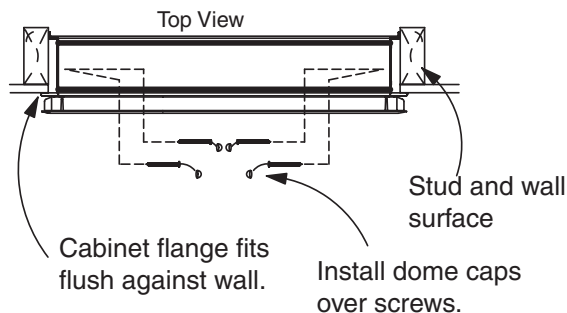


Fig. 2

Install screws through holes in cabinet as shown in Fig. 1

DO NOT OVERTIGHTEN!

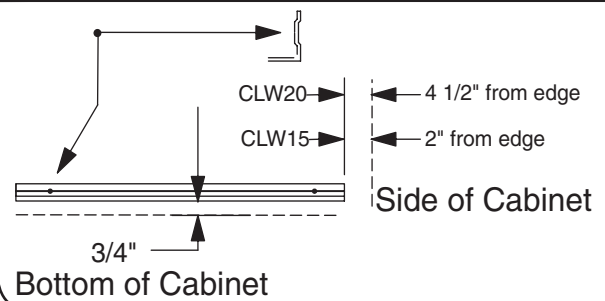


2. SURFACE MOUNTING THE CABINET ON A WALL.

A. Install Mounting Bar.

1. Drill two 3/16 holes in bottom mounting bar at indent location. Use the supplied anchors or locate studs if possible.
2. Drill 3/16" hole in wall for mounting bar anchors at locations shown in Fig. 3. (If you do not use the anchor, drill a 3/32" pilot hole.) After the holes are drilled, fit the mounting bar onto the wall, refer to Fig. 3 for measurements, and Fig. 5 or information on anchor cinching.

Fig. 3



B. Install Top Clips

(Left and right top clips come connected, hold both clips and snap them apart).

1. Fit cabinet into position on mounting bar as shown in Fig. 4A.
2. Place clip in position as shown in Fig. 4B and mark with a pencil. Remove clip and cabinet and drill the pilot or anchor holes where marked.
3. Fix both the clips into position with a screw, and slide the clip into the up position. Sit the cabinet on the mounting bar, then lower and tighten the screws into place, as shown in Fig 4C.
4. See Fig. 5 for proper turns required for anchor cinching.
5. See page 3 for Side Kit Mirror application.

Fig. 4B & 4C

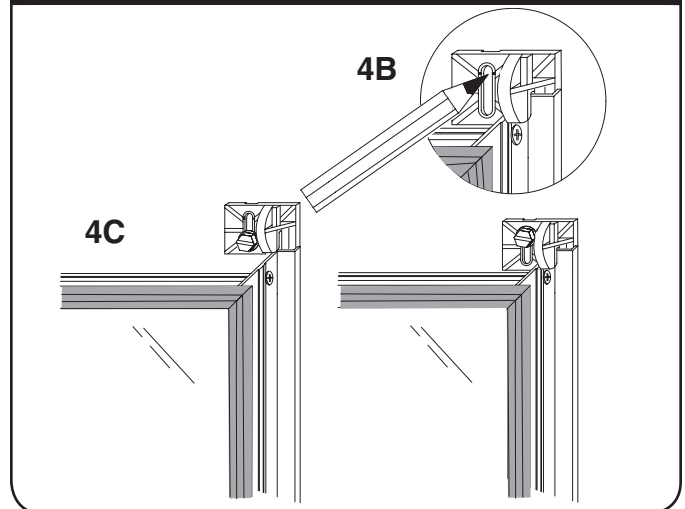


Fig. 4A

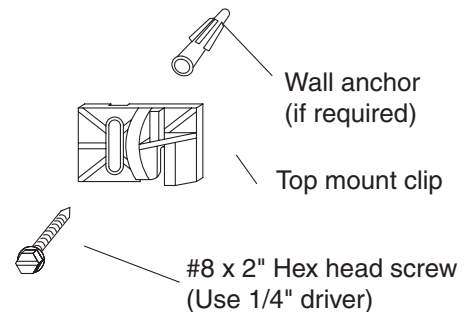
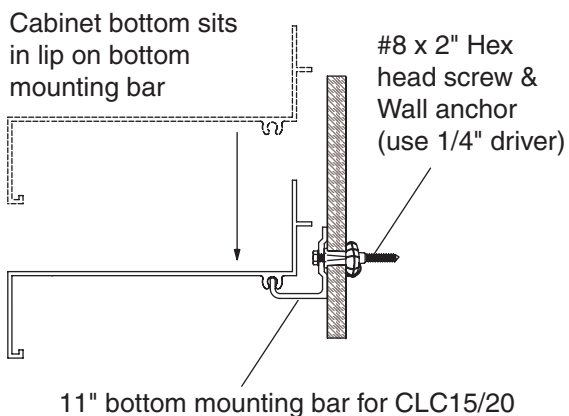
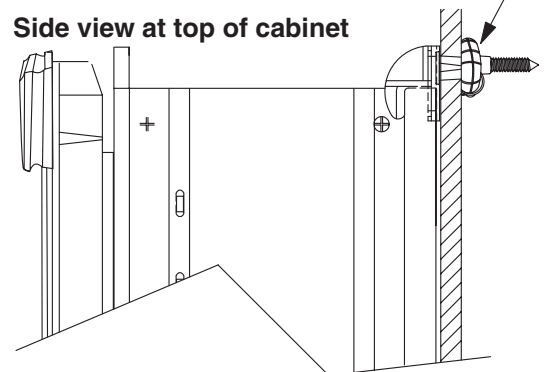


Fig. 5

Once Screw is bottomed out on mount clip, turn screw an additional 5 to 7 turns to fully expand the anchor.

Side view at top of cabinet

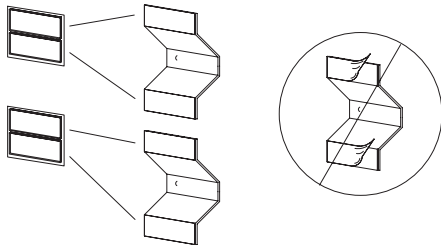


INSTALLER'S NOTE:

Installing the cabinet on a wall without the door attached can make installing easier for one person. Do not mount the doors until the box is in or on the wall.

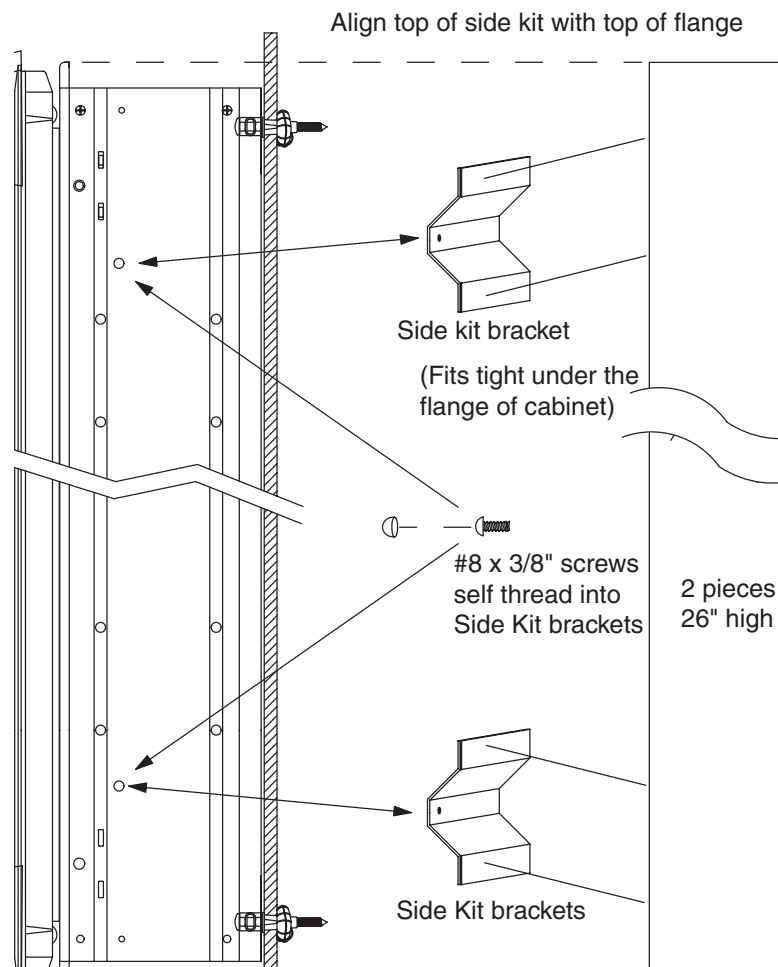
3. ATTACHING SIDE KITS TO A SURFACE MOUNTED CABINET

1. Apply foam tape to Side kit bracket
 - A. Peel tape from sheet, leave liner on.
 - B. Apply as shown to side kit brackets, be sure they are clean and dry.
 - C. **DO NOT PEEL RELEASE LINER UNTIL YOU HAVE TEST FIT THE MIRRORS ON THE CABINET!**



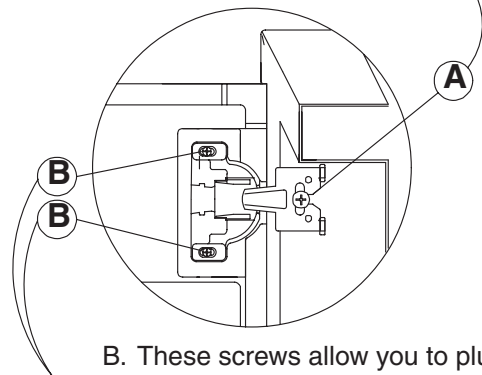
2. Attach the side kit brackets to the cabinet as shown in Fig. 6
3. Test fit the side kits, then clean the back of the side kits with rubbing alcohol.
4. Peel the release tape from the brackets and apply the side kits, push firmly to set.
5. Cover the screw heads with the screw caps.

Fig. 6

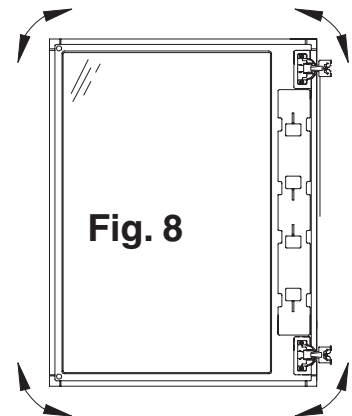
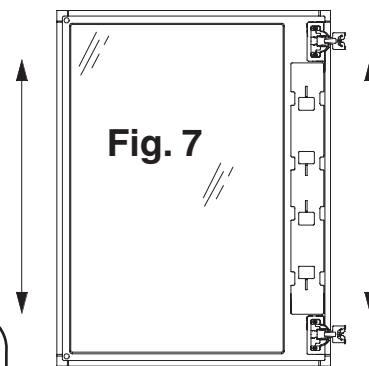


4. DOOR ADJUSTMENTS

- A. This screw releases the door from the cabinet and allows up and down adjustment. Fig.7



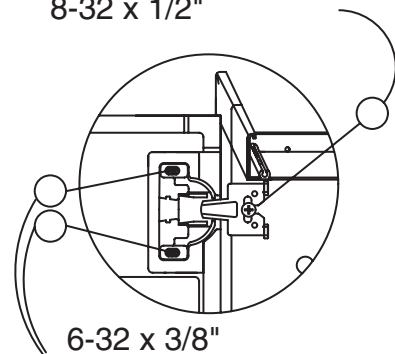
- B. These screws allow you to plumb the door as shown in Fig. 8.



- C. The screws you use for attaching the hinges. (Supplied with hinges)

8-32 x 1/2"

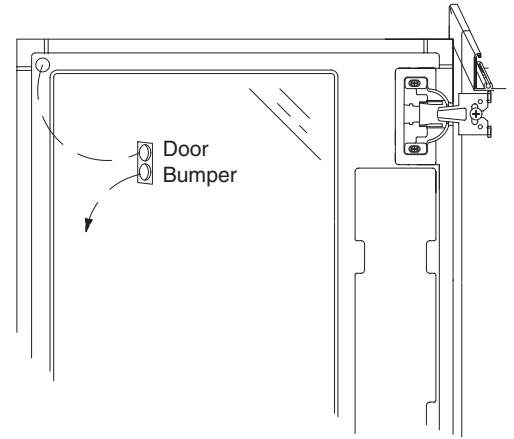
6-32 x 3/8"



5. INSTALLING THE TOOTHBRUSH COVERS & DOOR BUMPERS – see Fig. 9

1. Install the clear door bumpers in the round indent area at the top and bottom of the door.

Fig. 9



6. INSTALLING THE SHELVES – see Fig. 10

1. Push/twist the pins into place
 - A. Push one side of the shelf into the left or right clips
 - B. Snap the shelf down into the opposite side. If the shelf is too tight, repeat the process from the other side.
2. Fill the remaining holes with the plugs.

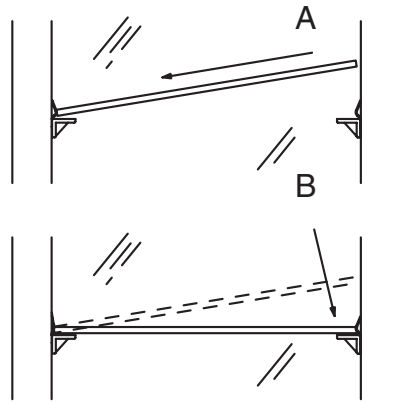
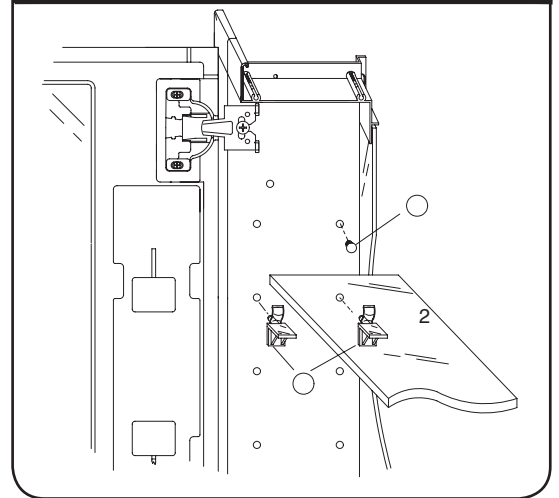
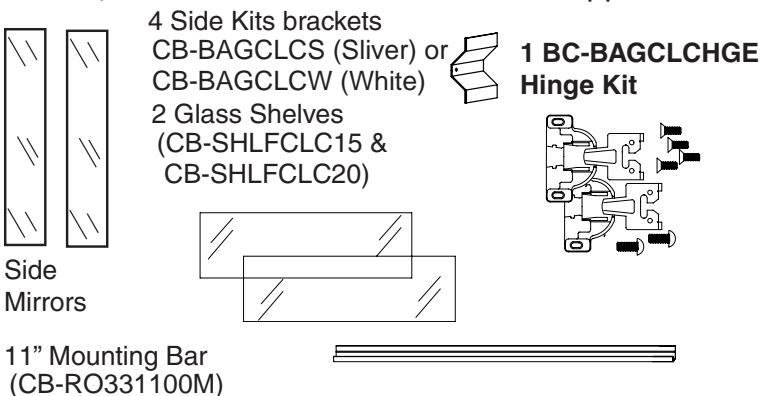


Fig. 10



Parts supplied with your cabinet. (For cabinet body and door replacement, call customer service with model number.) Be sure to check the cardboard supports in the carton, glass parts are packed in them.



Part List - BAGCLCS (silver) BAGCLCW (white)

#8" X 3/8" Screws	Top Clips
Snap-in Pins	Screw Caps Silver or White
Door Bumpers	#8 X 1/2" Phillips Head Screws
#8 X 2" Hex Head Slotted Screws	Wall Anchors
4 Side Kits Bracket Foam tape	Hole plugs White or Silver

Checklist • Care & Maintenance

1. Cleaning

- A. The cabinet door and interior are constructed of mirror and aluminum. Use only a damp cloth to clean. Spray the cloth, not the mirror when cleaning. Mirrors are damaged by the use of ammonia or vinegar based cleaners. Rubbing alcohol can be used for stubborn stains.
- B. Use no abrasive cleansers on any part of the cabinet.
- C. The white frame should be cleaned with a damp cloth only.