

### Features

- Vitreous china
- Above-the-counter or wall-mount
- Without overflow
- 16-1/4" (41.3 cm) D.

### TURNINGS AND CONICAL BELL LAVATORY

# K-2191

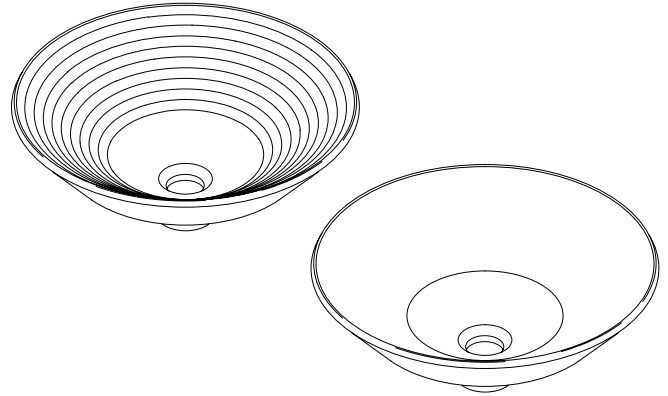
## ALSO K-2200

ADA

### Codes/Standards Applicable

Specified model meets or exceeds the following:

- ADA
- ASME A112.19.2
- IAPMO/UPC
- CSA B45



### Colors/Finishes

- 0: White
- Other: Refer to Price Book for additional colors/finishes

### Accessories:

- CP: Polished Chrome
- Other: Refer to Price Book for additional colors/finishes

### Specified Model

Model	Description	Colors/Finishes	
K-2191	Turnings lavatory	<input type="checkbox"/> 0	<input type="checkbox"/> Other_____
K-2191-G	Turnings lavatory with glazed underside	<input type="checkbox"/> 0	<input type="checkbox"/> Other_____
K-2200	Conical Bell lavatory	<input type="checkbox"/> 0	<input type="checkbox"/> Other_____
K-2200-G	Conical Bell lavatory with glazed underside	<input type="checkbox"/> 0	<input type="checkbox"/> Other_____
Recommended Accessory			
K-9018	P-trap	<input type="checkbox"/> CP	<input type="checkbox"/> Other_____
K-7702	Pop-up drain with undercounter-mount actuator <b>OR</b>	<input type="checkbox"/> CP	<input type="checkbox"/> Other_____
K-7710	Drain <b>OR</b>	<input type="checkbox"/> CP	
K-7715	Grid drain	<input type="checkbox"/> CP	<input type="checkbox"/> Other_____

### Product Specification

The lavatory shall be 16-1/4" (41.3 cm) in diameter. Lavatory shall be made of vitreous china. Lavatory shall be for above-the-counter or wall-mount installation. Lavatory shall be without overflow. Lavatory shall be Kohler Model K-\_\_\_\_-\_\_\_\_-\_\_\_\_.

# VESSELS™

## Technical Information

Fixture*:	
Lavatory	
Basin area	15-7/8" (40.3 cm) D.
Water depth	4-1/4" (10.8 cm)
Drain hole	1-3/4" (4.4 cm) D.
* Approximate measurements for comparison only.	

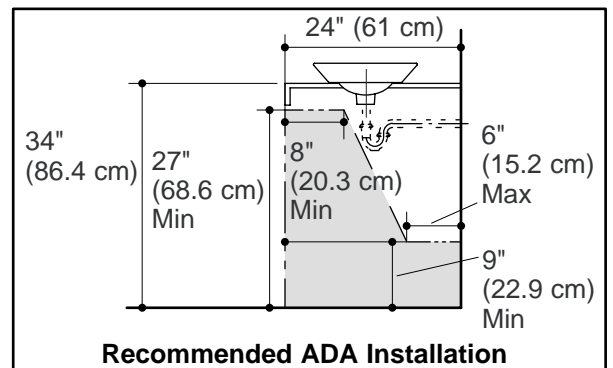
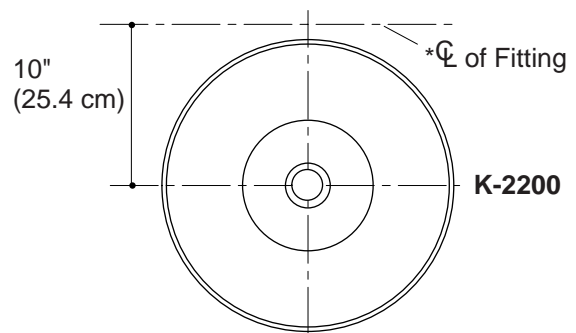
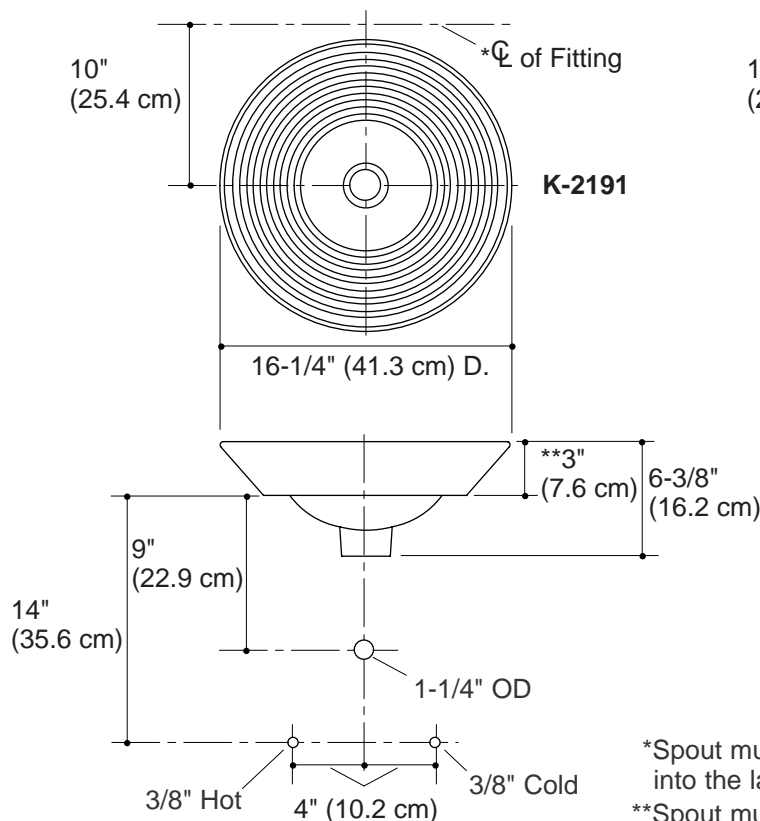
Included Components:	
Adjustable linkage	84474
Cut-out template	1002980-7

## Installation Notes

Install this product according to the installation guide.

Product does not have an overflow.

**NOTICE:** Countertop manufacturer or cutter **must** use the cut-out template provided with the product, or a current one provided by Kohler Co. (call 1-800-4-KOHLER). Kohler Co. is not responsible for cut-out errors when the incorrect cut-out template is used.



\*Spout must be 5" (12.7 cm) long (min) for adequate clearance into the lavatory when installed with centerline as shown.

\*\*Spout must be tall enough to clear 3" (7.6 cm) rim height and provide a 1" (2.5 cm) air gap per ASME A112.1.2

## Product Diagram