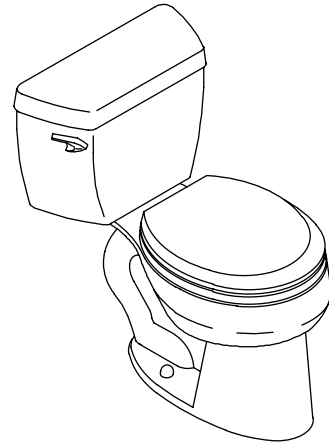


PRESSURE-LITE™ TOILET K-3505

Features

- 12" (30.5 cm) rough-in
- Includes polished chrome trip lever
- Less seat and supply
- Vitreous china
- Elongated bowl
- 1.4 gpf (5.3 lpf)
- Equipped with Sloan Flushmate™ - Sloan Valve Company
- Combination toilet
- Optional bedpan lugs or tank cover locks
- Available with right-hand or left-hand trip lever
- 12" (30.5 cm) x 10" (25.4 cm) water area



Codes/Standards Applicable

Specified model meets or exceeds the following:

- ASME A112.19.2
- Energy Policy Act of 1992 (EPACT)
- IAPMO/UPC
- CSA B45

Colors/Finishes

- 0: White
- Other: Refer to Price Book for additional colors/finishes

Accessories:

- 0: White
- CP: Polished Chrome
- PB: Polished Brass
- Other: Refer to Price Book for additional colors/finishes

Specified Model

Model	Description	Colors/Finishes	
K-3505	Elongated bowl toilet (left-hand trip lever)	<input type="checkbox"/> 0 White	<input type="checkbox"/> Other _____
K-3505-T	Toilet with tank cover locks (left-hand trip lever)	<input type="checkbox"/> 0 White	<input type="checkbox"/> Other _____
K-3505-RA	Elongated bowl toilet (right-hand trip lever)	<input type="checkbox"/> 0 White	<input type="checkbox"/> Other _____
K-3505-TR	Toilet with tank cover locks (right-hand trip lever)	<input type="checkbox"/> 0 White	<input type="checkbox"/> Other _____
K-4303	Toilet bowl	<input type="checkbox"/> 0 White	<input type="checkbox"/> Other _____
K-4303-L	Toilet bowl with bed pan lugs	<input type="checkbox"/> 0 White	<input type="checkbox"/> Other _____
K-4645	Tank (left-hand trip lever)	<input type="checkbox"/> 0 White	<input type="checkbox"/> Other _____
K-4645-RA	Tank (right-hand trip lever)	<input type="checkbox"/> 0 White	<input type="checkbox"/> Other _____

Product Specification:

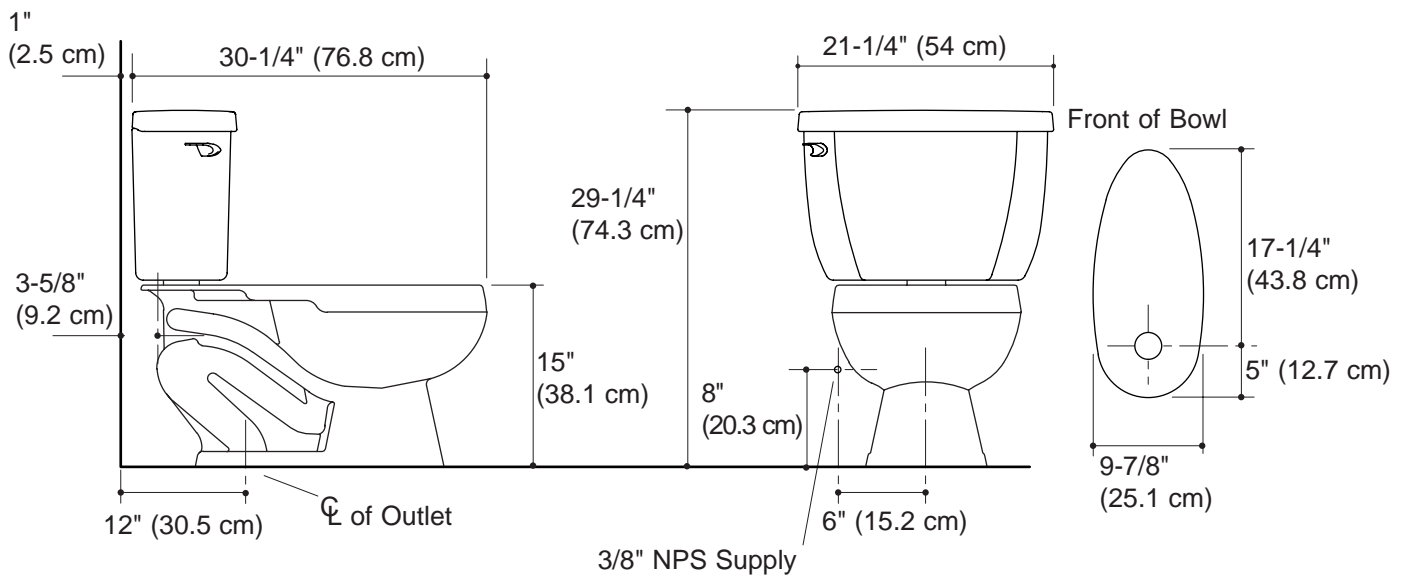
The elongated combination toilet shall be 12" (30.5 cm) rough-in equipped with Sloan Flushmate™ – Sloan Valve Company. Toilet shall be made of vitreous china. Toilet shall have 12" (30.5 cm) x 10" (25.4 cm) water area. Toilet shall be 1.4 gpf (5.3 lpf). Toilet shall include polished chrome trip lever. Toilet shall be less seat and supply. Toilet shall have bed pan lugs (-L). Toilet shall have right-hand trip lever (-RA). Toilet shall have tank cover locks (-T). Toilet shall be Kohler Model K-3505-_____-_____.

WELLWORTH™

Recommended Accessories			
K-4650	French Curve™ seat with cover	<input type="checkbox"/> 0 White	<input type="checkbox"/> Other _____
K-4664	Brevia™ seat with cover	<input type="checkbox"/> 0 White	<input type="checkbox"/> Other _____
K-7637	Angle supply with stop	<input type="checkbox"/> CP	<input type="checkbox"/> PB <input type="checkbox"/> Other _____
Optional Accessories			
K-9481-L	Trip lever, left-hand (non-CP)	<input type="checkbox"/> PB	<input type="checkbox"/> Other _____
K-9481-R	Trip lever, right-hand (non-CP)		<input type="checkbox"/> PB

Installation Notes

Install this product according to the installation guide.



Product Diagram