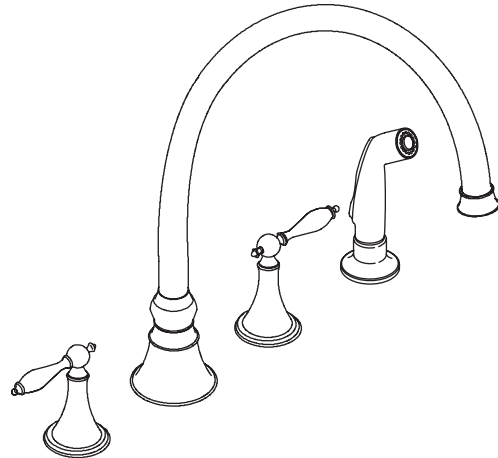


Features

- Brass construction
- Brass valve bodies
- Quarter-turn washerless ceramic disc valves
- 2.2 gpm (8.3 lpm) flow rate
- Lower flow aerator options are available (refer to the Kohler Price Book)
- Flexible connections for easy installation
- Traditional handles
- Handspray
- For 8" (20.3 cm) centers
- Available with contrasting or matching finish aerator housing, escutcheons, and handle caps and ends
- 9-3/16" (23.3 cm) swing spout



Codes/Standards Applicable

Specified model meets or exceeds the following:

- ASME A112.18.1/CSA B125.1
- IAPMO/UPC
- NSF 61
- Energy Policy Act of 1992 (EPACT)
- ADA

Colors/Finishes

- CP: Polished Chrome
- BN: Brushed Nickel
- Other: Refer to Price Book for additional colors/finishes

Specified Model

Model	Description	Colors/Finishes		
K-377-4F	Kitchen faucet with biscuit accents	<input type="checkbox"/> CP	<input type="checkbox"/> BN	
K-377-4M	Kitchen faucet with polished finish accents	<input type="checkbox"/> CP	<input type="checkbox"/> BN	<input type="checkbox"/> Other _____
K-377-4P	Kitchen faucet with white accents	<input type="checkbox"/> CP	<input type="checkbox"/> BN	

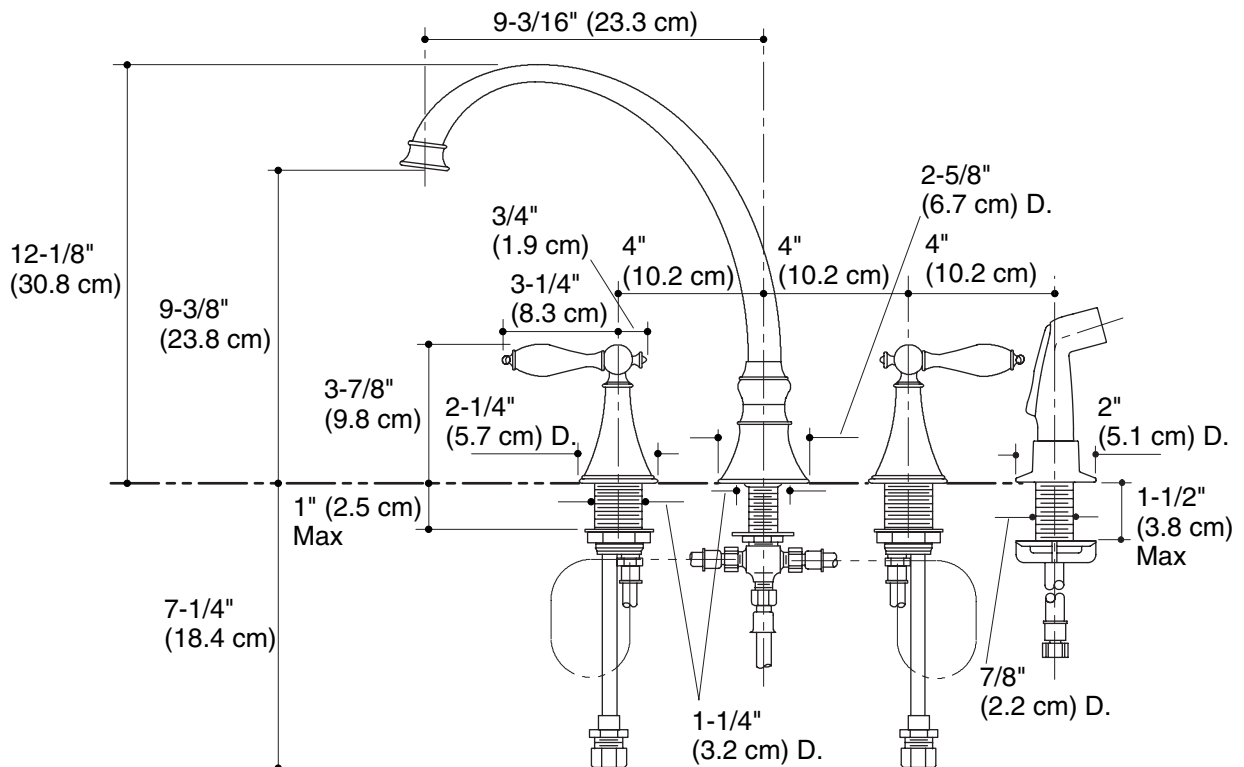
Product Specification

Two-handle kitchen faucet shall be of brass construction. Faucet shall feature brass valve bodies. Faucet shall feature quarter-turn washerless ceramic disc valves, assuring positive handle stop positioning. Faucet shall be rated at 2.2 gallons (8.3 L) per minute. Faucet shall have lower flow aerator options. Faucet shall include 8" (20.3 cm) centers, 9-3/16" (23.3 cm) swing spout, traditional handles, handspray, and flexible connections for easy installation. Faucet shall be Kohler Model K-377-_____-_____.

FINIAL® TRADITIONAL

Installation Notes

Install this product according to the installation guide.



Product Diagram