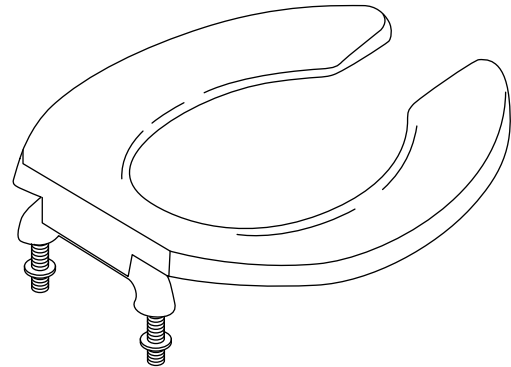


Features

- Elongated front
- Solid polypropylene plastic
- Open front
- Without cover
- With check hinge
- With anti-microbial agent (-CA and -SA only)
- Stainless steel mounting bolts

COMMERCIAL TOILET SEAT K-4666 ALSO K-4667, K-4670, K-4672



Codes/Standards Applicable

Specified model meets or exceeds the following:

- ANSI Z124.5

Colors/Finishes

- 0: White
- Other: Refer to Price Book for additional colors/finishes

Specified Model

Model	Description	Colors/Finishes	
K-4666-C	Extra heavy elongated open front seat with check hinge, less cover	<input type="checkbox"/> 0	
K-4666-SC	Same as K-4666-C except with self-sustaining check hinge	<input type="checkbox"/> 0	
K-4666-CA	Same as K-4666-C except with anti-microbial agent toilet seat	<input type="checkbox"/> 0	
K-4666-SA	Same as K-4666-CA except with self-sustaining check hinge	<input type="checkbox"/> 0	
K-4667-C	Extra heavy elongated open front seat with check hinge, less cover		<input type="checkbox"/> Other ____
K-4670-C	Elongated open front seat with check hinge, less cover	<input type="checkbox"/> 0	<input type="checkbox"/> Other ____
K-4670-SC	Same as K-4670-C except with self-sustaining check hinge	<input type="checkbox"/> 0	
K-4670-CA	Same as K-4670-C except anti-microbial agent toilet seat	<input type="checkbox"/> 0	
K-4670-SA	Same as K-4670-CA except with self-sustaining check hinge	<input type="checkbox"/> 0	
K-4671-C	Elongated open front seat with check hinge, less cover		<input type="checkbox"/> Other ____
K-4671-SC	Same as K-4671-C except with self-sustaining check hinge		<input type="checkbox"/> Other ____
K-4672	Elongated open front seat with self-raising hinge, less cover	<input type="checkbox"/> 0	
K-4679-CA	Same as K-4670-C except with anti-microbial agent toilet seat and 1" (2.5 cm) high bumpers	<input type="checkbox"/> 0	
K-4680-C	Round open front seat with check hinge, less cover	<input type="checkbox"/> 0	
K-4680-CA	Same as K-4680-C except with anti-microbial agent toilet seat	<input type="checkbox"/> 0	
K-4681-C	Round open front seat with check hinge, less cover		<input type="checkbox"/> Other ____

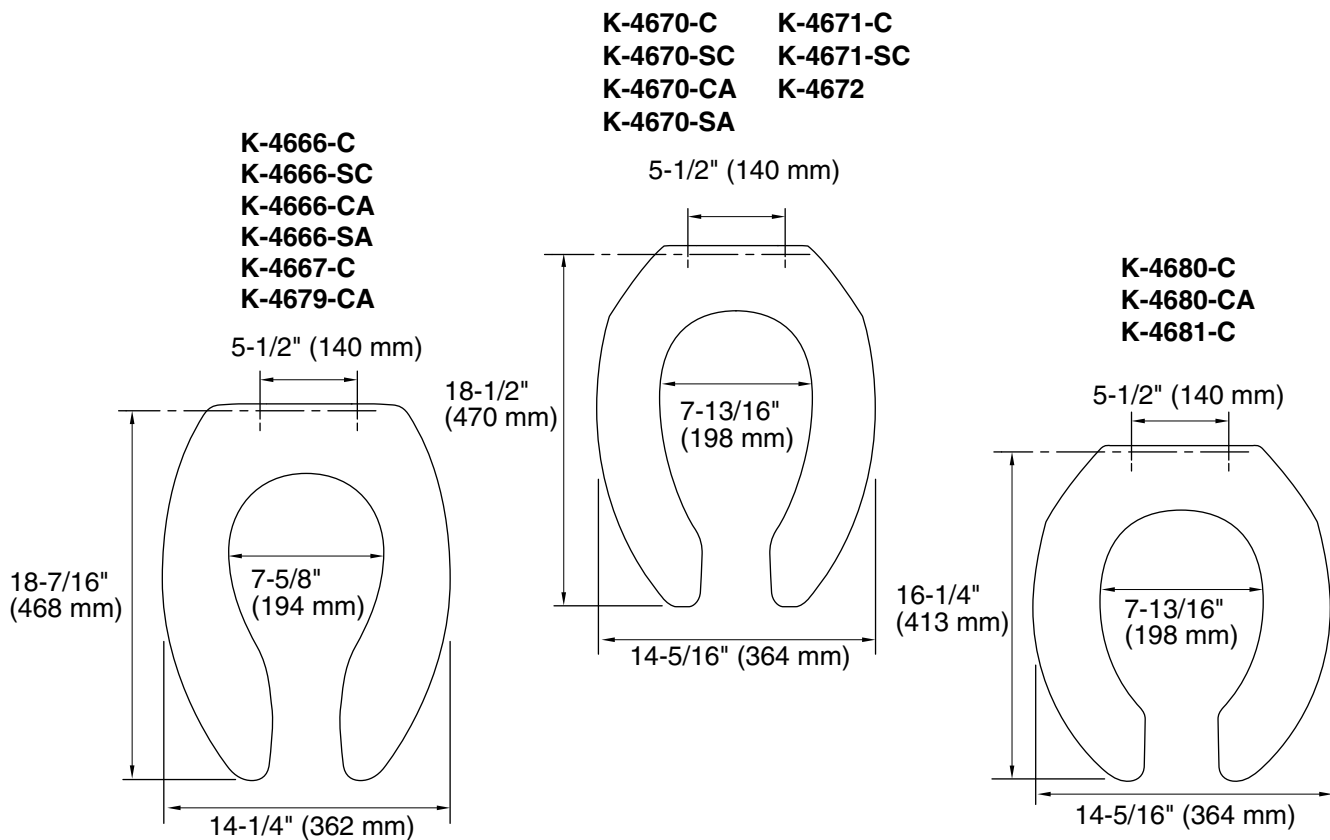
Product Specification

The toilet seat shall be elongated. Toilet seat shall be made of solid polypropylene plastic. Toilet seat shall be open in front. Toilet seat shall be without cover. Toilet seat shall have check hinge and stainless steel mounting bolts. Toilet shall include an anti-microbial agent formed into the plastic which inhibits the growth of bacteria and germs on the toilet seat (-CA and -SA). Toilet seat shall be Kohler Model K-_____-_____-_____.

LUSTRA™

Installation Notes

Install this product according to the installation guide.



Product Diagram