

**WALL-MOUNT LAVATORY TRIM
K-T6277**

Features

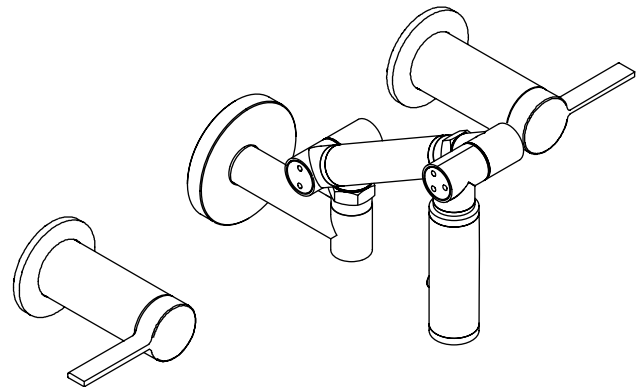
- Metal and carbon fiber construction
- Articulating spout
- Dual control wall-mounted
- ADA compliant lever handle
- 1.5 gpm (5.7 lpm) maximum flow rate



Codes/Standards Applicable

Specified model meets or exceeds the following at date of manufacture:

- ADA
- ASME A112.18.1/CSA B125.1
- ICC/ANSI A117.1
- Energy Policy Act of 1992
- NSF 61
- EPA WaterSense®
- All applicable US Federal and State material regulations



Colors/Finishes

- CP: Polished Chrome
- Other: Refer to Price Book for additional colors/finishes

Accessories

- CP: Polished Chrome
- NA: None applicable
- Other: Refer to Price Book for additional colors/finishes

Specified Model

| Model | Description | Colors/Finishes | |
|-------------|---|-----------------------------|--------------------------------------|
| K-T6277-C11 | Wall-mount lavatory trim with silver tube | <input type="checkbox"/> CP | <input type="checkbox"/> Other _____ |
| K-T6277-C12 | Wall-mount lavatory trim with black tube | <input type="checkbox"/> CP | <input type="checkbox"/> Other _____ |

| Required Accessories | | |
|----------------------|---------------------------|-----------------------------|
| K-410-K | Wall-mount lavatory valve | <input type="checkbox"/> NA |

Product Specification

The wall-mount lavatory trim shall be of metal and carbon fiber construction. Product shall have a maximum flow rate of 1.5 gallons (5.7 liters) per minute. Product shall be dual control wall-mounted. Product shall feature ADA compliant lever handles and an articulating spout. Faucet shall be Kohler Model K-T6277-____ with required K-410-K-NA valve.

KARBON®

Optional Accessories

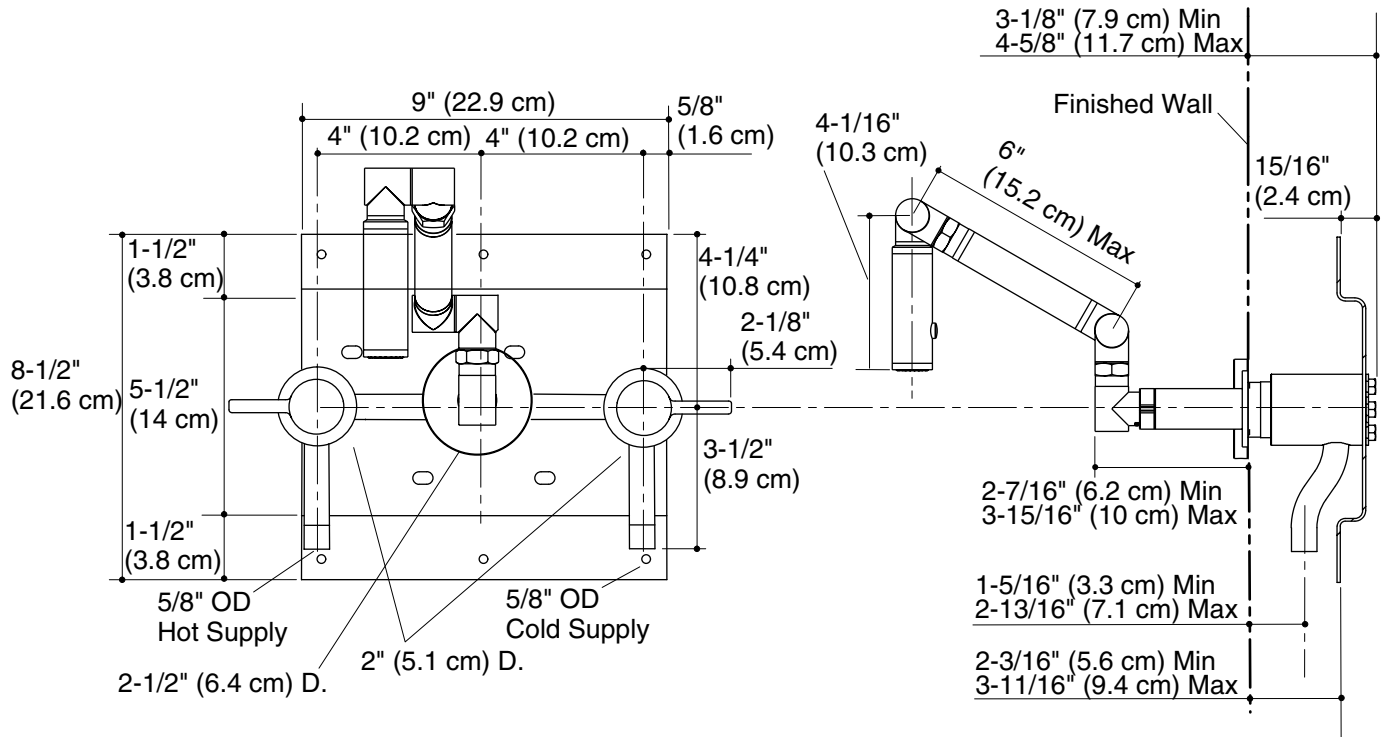
| | | | | | |
|--------|--|--------------------------|----|--------------------------|------------|
| K-7114 | Pop-up lavatory drain | <input type="checkbox"/> | CP | <input type="checkbox"/> | Other_____ |
| K-7124 | Touch-activated lavatory drain | <input type="checkbox"/> | CP | <input type="checkbox"/> | Other_____ |
| K-7127 | Lavatory drain with non-removable metal stopper | <input type="checkbox"/> | CP | <input type="checkbox"/> | Other_____ |
| K-7129 | Lavatory grid drain | <input type="checkbox"/> | CP | <input type="checkbox"/> | Other_____ |
| _____ | Additional flow options are available (refer to the Kohler Price Book) | <input type="checkbox"/> | NA | | |

Installation Notes

Install this product according to the installation guide.

Three 1-1/2" (3.8 cm) diameter holes are required for the spout and handles.

Lower flow aerator options are available. Please refer to the Kohler Price Book.



Product Diagram