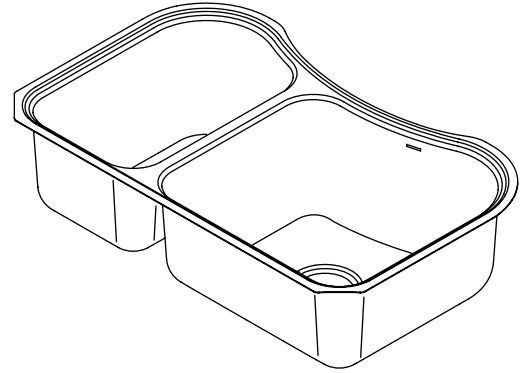


Features

- 18-gauge stainless steel
- Undercounter
- Double (extra large/medium) compartment
- Includes installation hardware
- 8" (20.3 cm) deep basins
- 31-5/8" (80.3 cm) x 19-9/16" (49.7 cm)

UNDERCOUNTER KITCHEN SINK K-3891



Codes/Standards Applicable

Specified model meets or exceeds the following:

- ASME A112.19.3/CSA B45.4

Colors/Finishes

- NA: None applicable

Accessories

- 0: White
- CP: Polished Chrome
- ST: Stainless Steel
- NA: None applicable
- Other: Refer to Price Book for additional colors/finishes

Specified Model

Model	Description	Colors/Finishes
K-3891	Undercounter kitchen sink	<input type="checkbox"/> NA

Optional Accessories						
K-3122	Bottom basin rack (for right basin only)	<input type="checkbox"/> ST				
K-3123	Bottom basin rack (for left basin only)	<input type="checkbox"/> ST				
K-3364	Colander		<input type="checkbox"/> 0			<input type="checkbox"/> Other _____
K-3365	Hardwood cutting board				<input type="checkbox"/> NA	
K-3368	Wire rinse basket (for left basin only)	<input type="checkbox"/> ST				
K-8813	Stainless steel sink strainer			<input type="checkbox"/> CP		<input type="checkbox"/> Other _____

Product Specification

The undercounter kitchen sink shall be made of 18-gauge stainless steel. Sink shall be 31-5/8" (80.3 cm) in length and 19-9/16" (49.7 cm) in width and 8" (20.3 cm) in depth. Sink shall be double (extra large/medium) compartment. Sink shall include installation hardware. Sink shall be Kohler Model K-3891-NA.

STACCATO™

Technical Information

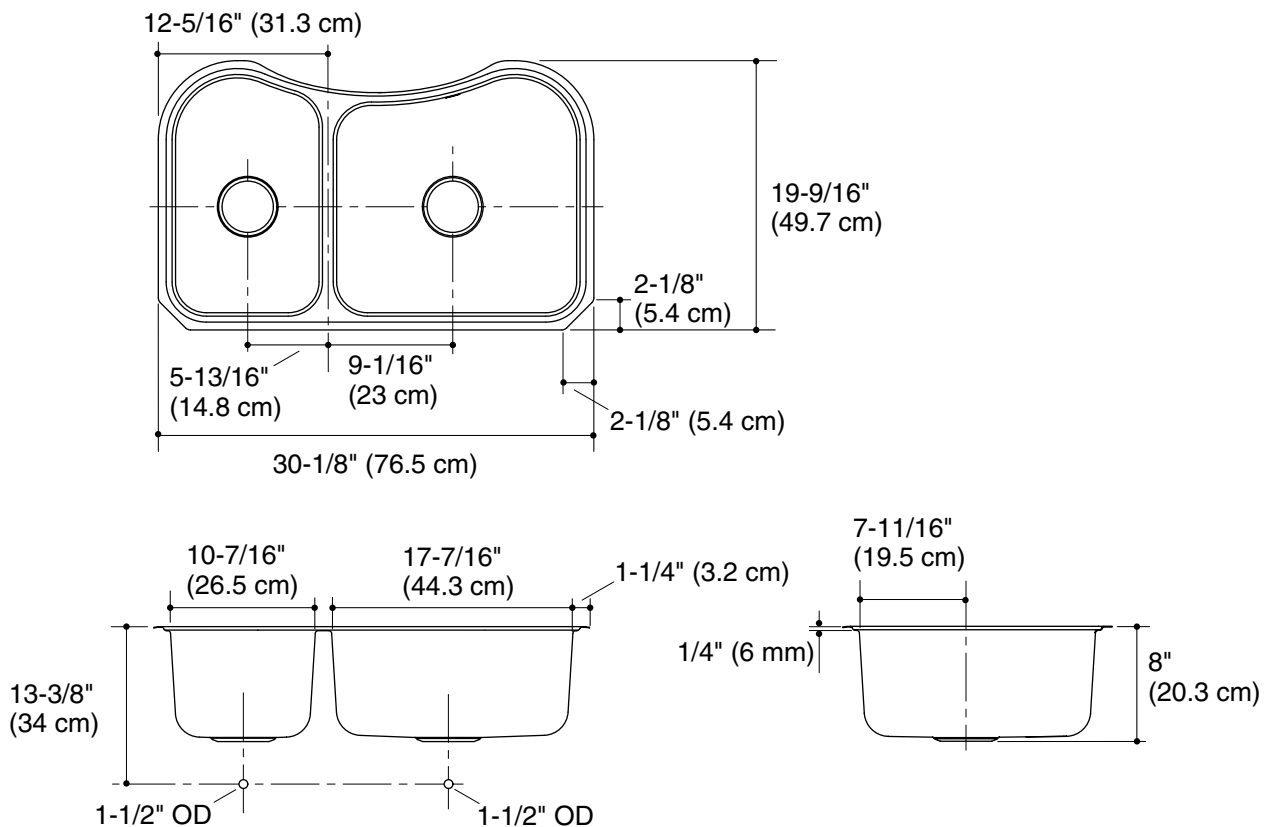
Fixture*:		
Basin area	left	10-7/16" (26.5 cm) x 17-1/16" (43.3 cm)
	right	17-7/16" (44.3 cm) x 17-1/16" (43.3 cm)
Water depth		8" (20.3 cm)
Drain holes		3-5/8" (9.2 cm) D.
* Approximate measurements for comparison only.		

Included components:	
Hardware kit	91915
Cut-out template	1100423-7

Installation Notes

Install this product according to the installation guide.

Allow a minimum of 2" (5.1 cm) clearance around the sink rim for clip attachment.



Product Diagram

STACCATO™ UNDERCOUNTER KITCHEN SINK

Page 2 of 2
1128045-4-A

THE BOLD LOOK
OF **KOHLER**®