

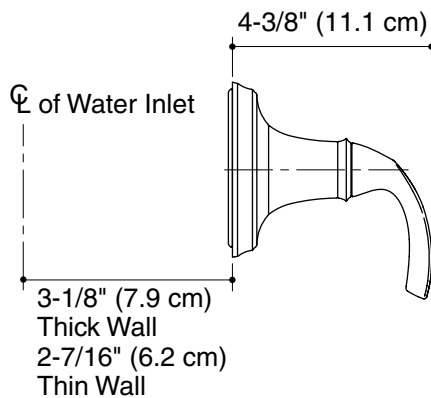
Product Information

Applicable product:	
Thermostatic valve trim	K-T10359-4
Volume control valve trim	K-T10360-4
Lever handle is ADA compliant. ADA	

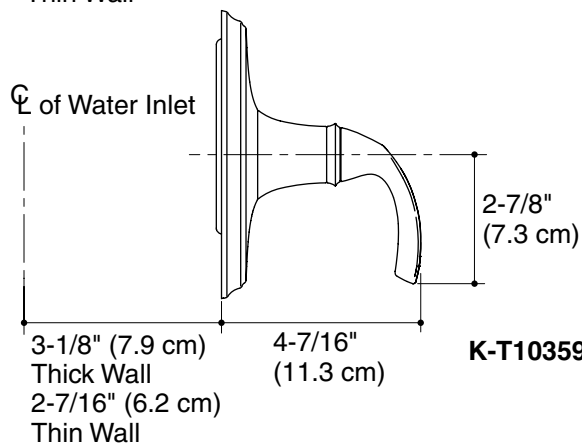
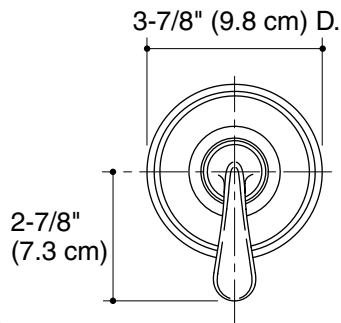
Required valve:	
3/4" thermostatic valve	K-669-KS
3/4" volume control valve	K-671-K
1/2" thermostatic valve	K-679-KS
1/2" volume control valve	K-681-K

Installation Notes

Install this product according to the installation guide.



K-T10360



K-T10359

