

UNDERCOUNTER LAVATORY K-2297

ADA

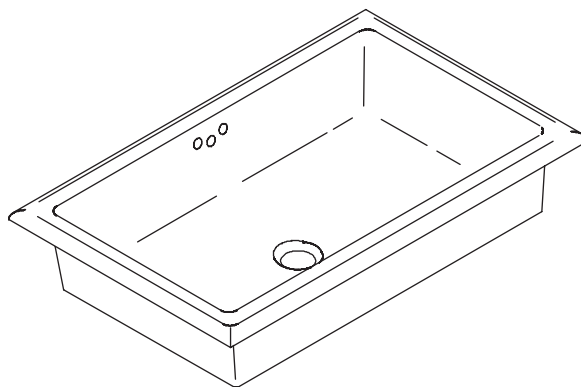
Features

- Vitreous china
- Undercounter
- With overflow
- With or without glazed underside
- Includes basin clamp assembly
- 21-3/8" (54.3 cm) x 13-1/2" (33.3 cm)

Codes/Standards Applicable

Specified model meets or exceeds the following:

- ASME A112.19.2
- IAPMO/UPC
- CSA B45
- ADA



Colors/Finishes

- 0: White
- Other: Refer to Price Book for additional colors/finishes

Accessories:

- CP: Polished Chrome
- Other: Refer to Price Book for additional colors/finishes

Specified Model

Model	Description	Colors/Finishes	
K-2297	Lavatory	<input type="checkbox"/> 0	<input type="checkbox"/> Other_____
K-2297-G	Lavatory with glazed underside	<input type="checkbox"/> 0	<input type="checkbox"/> Other_____
Recommended Accessory			
K-8998	Adjustable P-trap	<input type="checkbox"/> CP	<input type="checkbox"/> Other_____

Product Specification:

The vitreous china undercounter lavatory shall be 21-3/8" (54.3 cm) in length, and 13-1/2" (33.3 cm) in width. Lavatory be available with or without a glazed underside. Lavatory shall have overflow. Lavatory shall include basin clamp assembly. Lavatory shall be Kohler Model K-2297-____ or K-2297-G-_____.

KATHRYN®

Technical Information

Fixture:*	
Lavatory	
Basin area	21-3/8" (54.3 cm) x 13-1/8" (33.3 cm)
Water depth	3" (7.6 cm)
Drain hole	1-3/4" (4.4 cm) D.
* Approximate measurements for comparison only.	

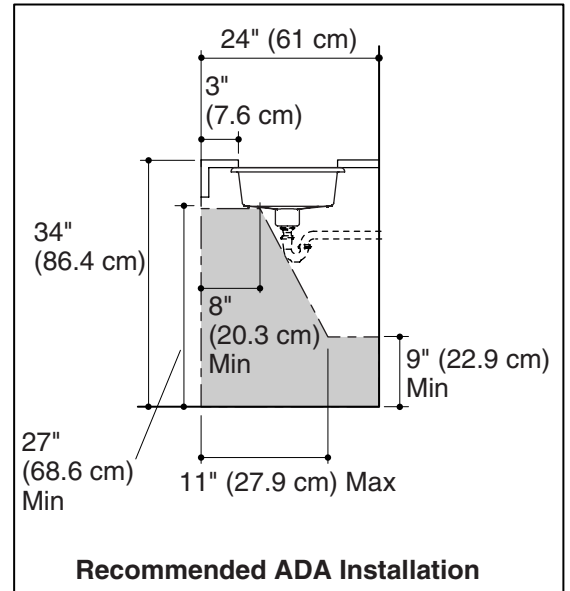
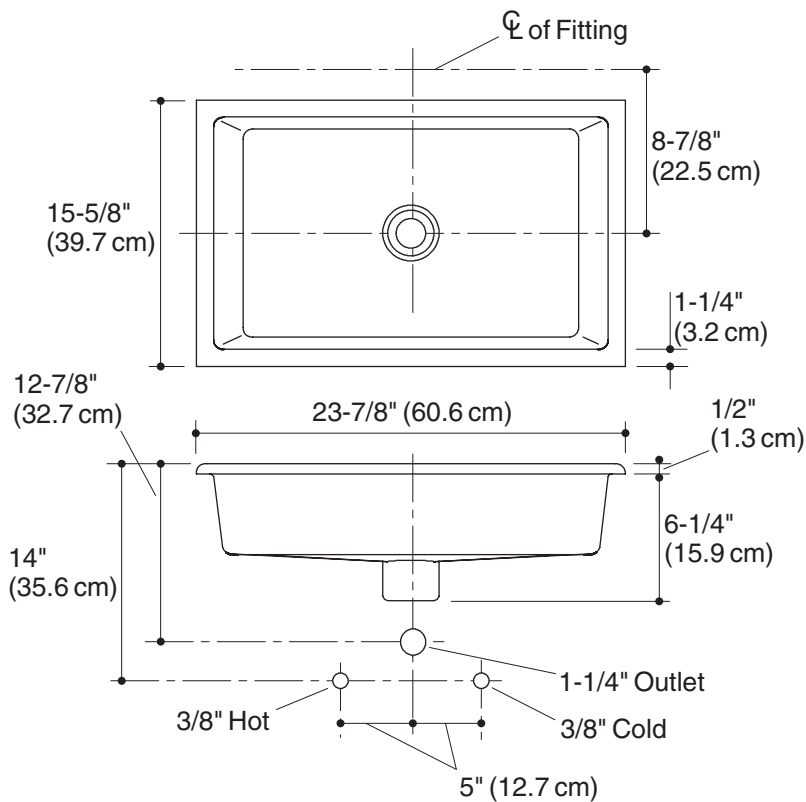
Included components:	
Basin clamp assembly	52047
Cut-out template	1041454-7

Installation Notes

Install this product according to the installation guide.

Select a faucet with a minimum spout reach of 4-5/8" (11.7 cm). Refer to the faucet rough-in dimensions to ensure the spout will reach over the lavatory rim into the basin.

NOTICE: Countertop manufacturer or cutter **must** use the cut-out template provided with the product, or a current one provided by Kohler Co. (Call 1-800-43-FOCUS to order.) Kohler Co. is not responsible for cutout errors when the incorrect cut-out template is used.



Product Diagram