



# DEVONSHIRE™ RITE-TEMP™

## Technical Information

<b>Optional Accessory:</b>	
HiFlow Rite-Temp thin wall installation kit*	88526
* Required when using the K-306-KS valve in a fiberglass or acrylic installation.	

## Installation Notes



**WARNING: Risk of damage to the K-306-KS valve assembly.** When using the K-306-KS valve in a fiberglass or acrylic installation, use the thin wall installation kit (88526).

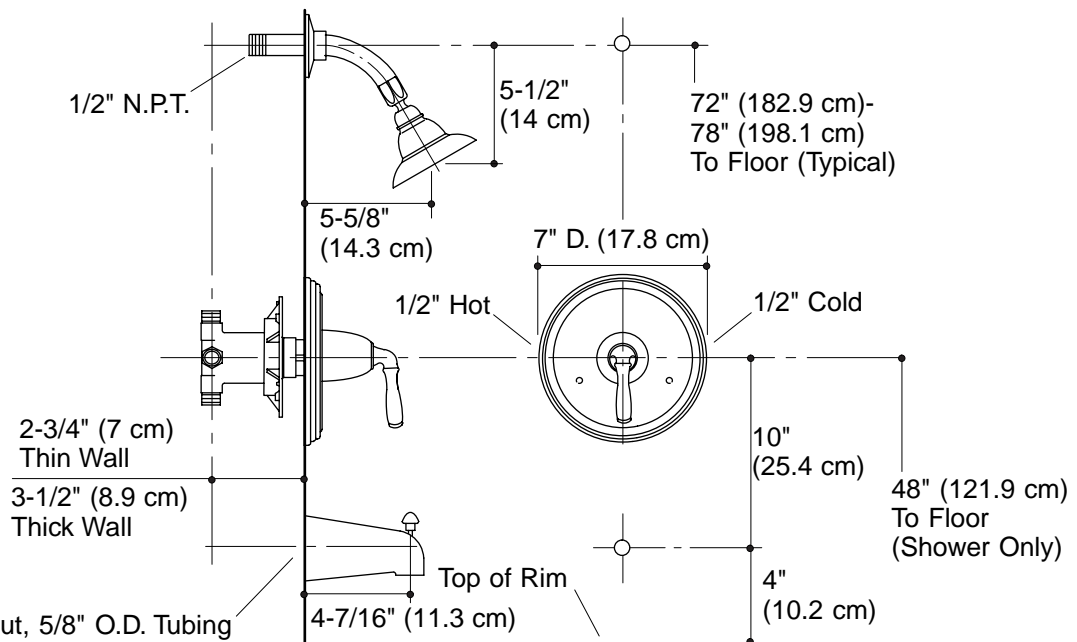
Install this product according to the installation guide.

Install the Rite-Temp valve according to the valve installation guide.

Avoid cross-flow conditions. Do not install shut-off device on either valve outlet.

Cap shower outlet if deck-mounted spout, diverter, or handshower is connected to the spout outlet.

Install straight pipe or tube drop of 7" (17.8 cm) to 18" (45.7 cm) with single elbow between valve and wall-mount spout.



For Slip-Fit Spout, 5/8" O.D. Tubing Must Extend 1-1/2" (3.8 cm) Min.; 2-7/8" (7.3 cm) Max. Beyond Finished Wall.

Complete Bath and Shower Faucet with Rite-Temp Valve and Slip-Fit Diverter Spout Shown.

## Product Diagram