

**BATH VALVE TRIM  
K-T16124  
ALSO K-300-K**

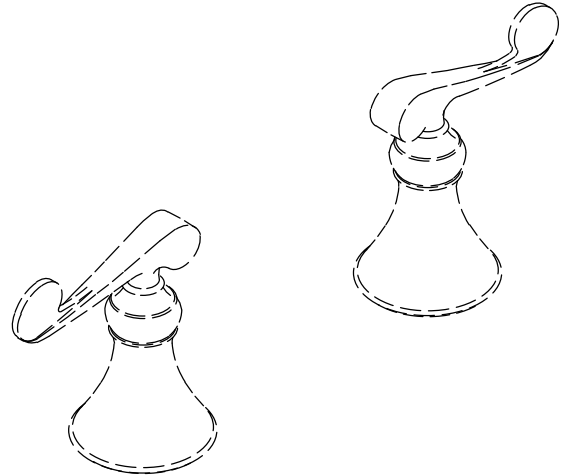
**FEATURES**

- Brass construction
- Bath- or deck-mount
- Available with scroll or traditional lever handles

**CODES/STANDARDS APPLICABLE**

Specified model meets or exceeds the following:



- ASME/ANSI A112.18.1M

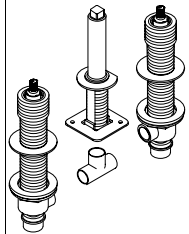


**COLORS/FINISHES**

- CP Polished Chrome
- PB Polished Brass
- Other Refer to Faucets Price Book for additional finishes

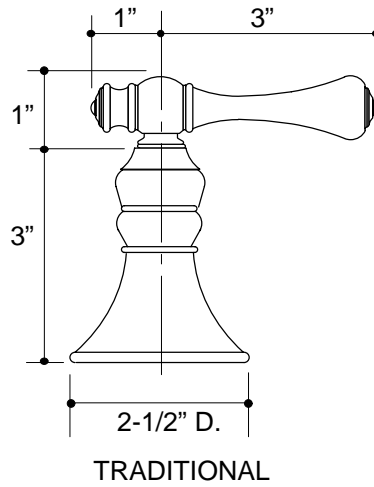
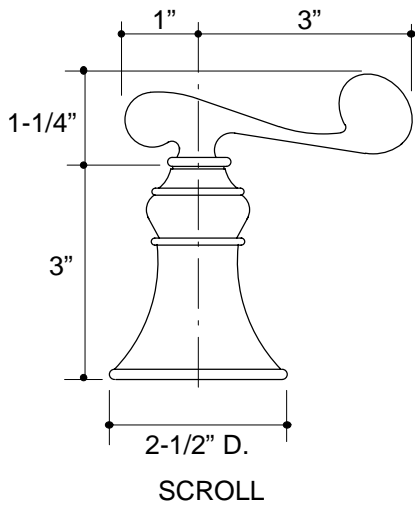
**SPECIFIED MODEL:** For complete faucet, both faucet trim and valve system must be specified.

Model	Description	 ADA	 ADA
K-T16124-4	With Scroll Handles	<input type="checkbox"/> CP <input type="checkbox"/> PB <input type="checkbox"/> Other_____	
K-T16124-4A	With Traditional Handles		<input type="checkbox"/> CP <input type="checkbox"/> PB <input type="checkbox"/> Other_____

Required Accessory		
K-300-K	1/2" High-Flow Ceramic Disc Valve System	<input type="checkbox"/> NA

**PRODUCT SPECIFICATION:**

Two-handle bath- or deck-mount high-flow bath faucet trim shall be of brass construction. Faucet shall include handles. Faucet trim shall be Kohler Model K-T16124-\_\_\_\_\_-\_\_\_\_\_- and valve system shall be K-300-K-NA.



PRODUCT DIAGRAM