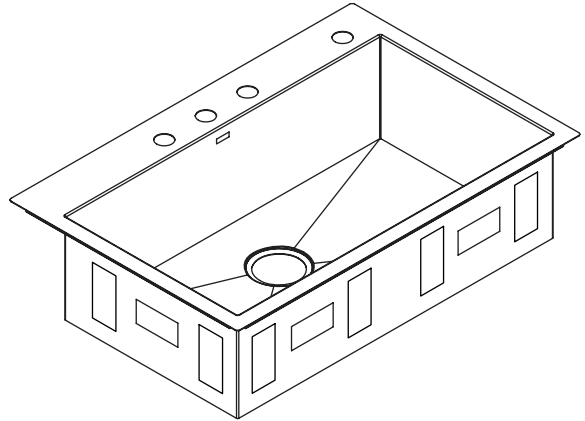


### Features

- 18-gauge stainless steel
- Self-rimming or undercounter
- Includes installation hardware
- Large single basin
- 33" (83.8 cm) x 22" (55.9 cm)

### SELF-RIMMING/UNDERCOUNTER KITCHEN SINK K-3821



### Codes/Standards Applicable

Specified model meets or exceeds the following:

- ASME A112.19.3/CSA B45.4

### Colors/Finishes

- NA: None applicable

### Accessories

- CP: Polished Chrome
- NA: None applicable
- Other: Refer to Price Book for additional colors/finishes

### Specified Model

Model	Description	Colors/Finishes
K-3821-1	Self-rimming/Undercounter kitchen sink – single-hole	<input type="checkbox"/> NA
K-3821-3	Self-rimming/Undercounter kitchen sink – 3-hole	<input type="checkbox"/> NA
K-3821-4	Self-rimming/Undercounter kitchen sink – 4-hole	<input type="checkbox"/> NA

Optional Accessories				
K-8801	Duostrainer® sink strainer		<input type="checkbox"/> CP	<input type="checkbox"/> Other_____
1131881	Hardware kit for countertops with a 2-1/2" (6.4 cm) thickness or less	<input type="checkbox"/> NA		

### Product Specification

The sink shall be 33" (83.8 cm) in length, 22" (55.9 cm) in width. Sink shall be made of 18-gauge stainless steel. Sink shall be undercounter or self-rimming. Sink shall have a large single basin. Sink shall include installation hardware. Sink shall be Kohler Model K-3821-NA.

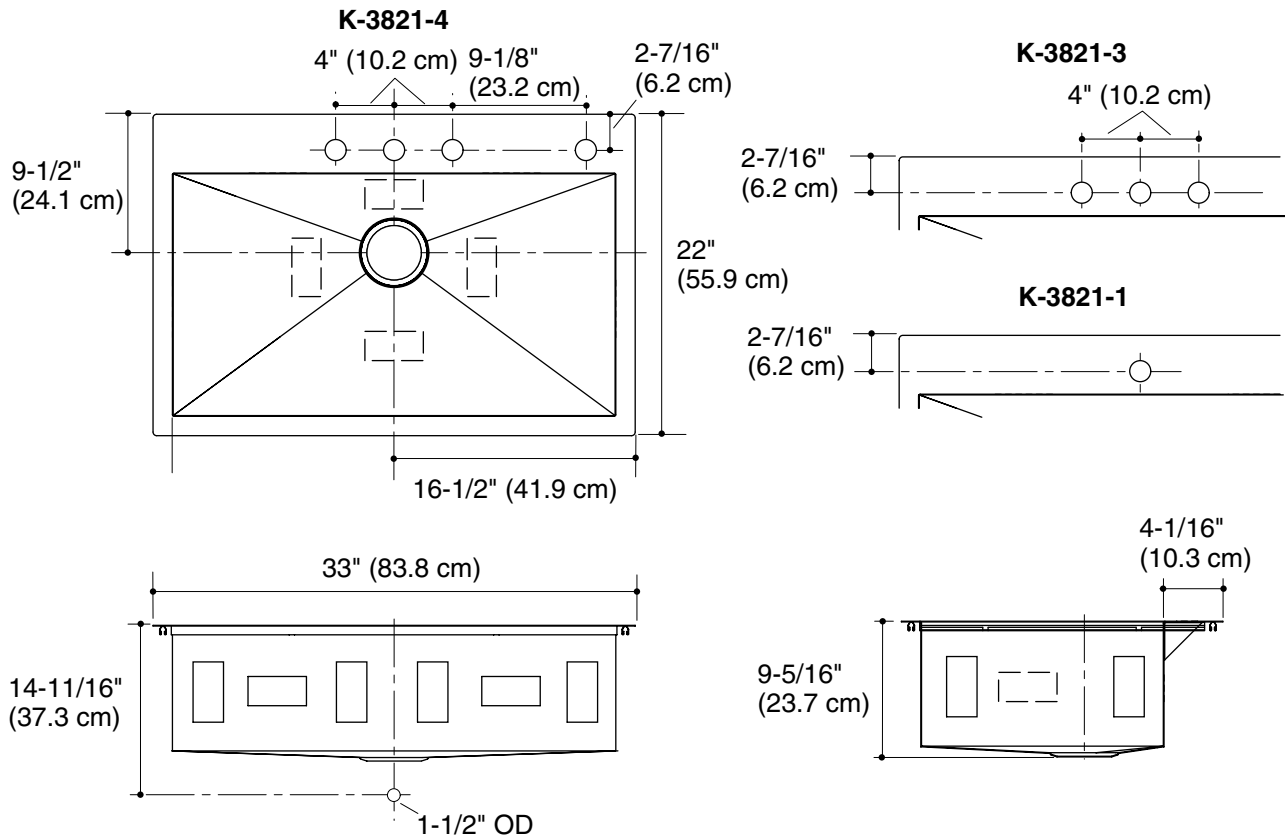
## Technical Information

Fixture*:	
Basin area	30-1/4" (76.8 cm) x 16-9/16" (42.1 cm)
Water depth	9" (22.9 cm)
Drain hole	3-5/8" (9.2 cm) D.
* Approximate measurements for comparison only.	

Included components:	
Hardware kit – self-rimming	1130570
Cut-out template	1130821

## Installation Notes

Install this product according to the installation guide.



## Product Diagram