

**Features**

- Brass construction
- Fixture-mount design
- Includes four 1.5 V AA batteries
- Electronic infrared sensor with TriPoint™ technology for accurate activation
- Intended for toilet installations with 1-1/2" spud coupling connection
- 1.28 gpf (4.85 lpf) flush flow rate for low water consumption (K-10956)
- 1.6 gpf (6 lpf) flush flow rate (K-10957 and K-10962)

**Codes/Standards Applicable**

Specified model meets or exceeds the following:

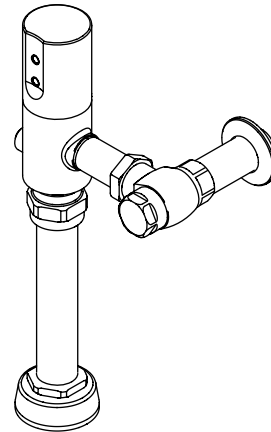
- ASSE 1037
- ASME A112.18.1
- CSA B64
- ADA
- FCC 47, Part 15
- CAN/CSA-CEI/IEC CISPR 22:02
- EN 55022

**Specified Model:**

Model	Description	Colors/Finishes
K-10956	1.28 gpf (4.85 lpf) exposed flush valve	<input type="checkbox"/> CP
K-10957	1.6 gpf (6 lpf) exposed flush valve	<input type="checkbox"/> CP
K-10962	1.6 gpf (6 lpf) exposed flush valve retrofit	<input type="checkbox"/> CP

**EXPOSED FLUSH VALVE**  
**K-10956**  
**ALSO K-10957, K-10962**

ADA



**Colors/Finishes**

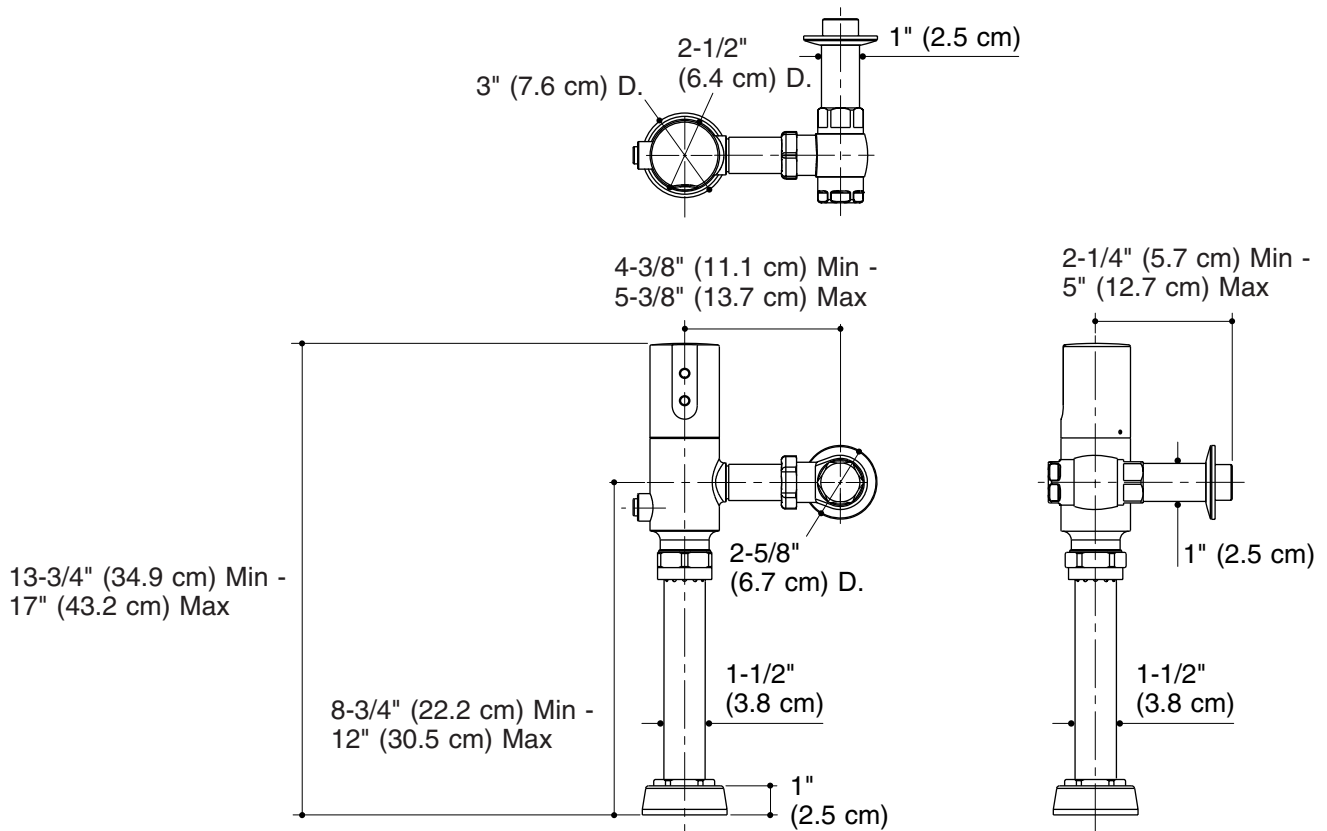
- CP: Polished Chrome

**PRODUCT SPECIFICATION**

Electronic flush valve shall be of brass construction. Valve shall feature electronic infrared sensor with TriPoint technology for accurate activation. Valve shall be of a fixture-mount design. Product is intended for toilet installations with a 1-1/2" spud coupling connection and requires a control stop and vacuum breaker. Valve shall have a 1.28 gpf (4.85 lpf) flow rate for low water consumption or 1.6 gpf (6 lpf) flow rate. Valve includes four 1.5 V AA batteries. Product shall be Kohler Model K-\_\_\_\_\_-CP.

## Installation Notes

Install this product according to the installation guide.



### Product Diagram