

Features

- Brass construction
- Fixture-mount design
- Includes four 1.5 V AA batteries
- Electronic infrared sensor with TriPoint™ technology for accurate activation
- Intended for urinal installations with 3/4" spud coupling connection
- Retrofit models require a control stop and vacuum breaker
- 1 gal (3.79 L) per flush flow rate

Codes/Standards Applicable

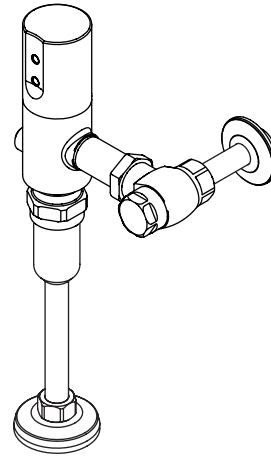
Specified model meets or exceeds the following:

- ASSE 1037
- ASME A112.18.1
- CSA B64
- ADA
- FCC 47, Part 15
- EN 55022
- IAPMO/cUPC
- Canadian ICES-003 class B

**EXPOSED FLUSH VALVE
K-10960**

ALSO K-10961, K-10965, K-10966

ADA



Colors/Finishes

- CP: Polished Chrome

Specified Model:

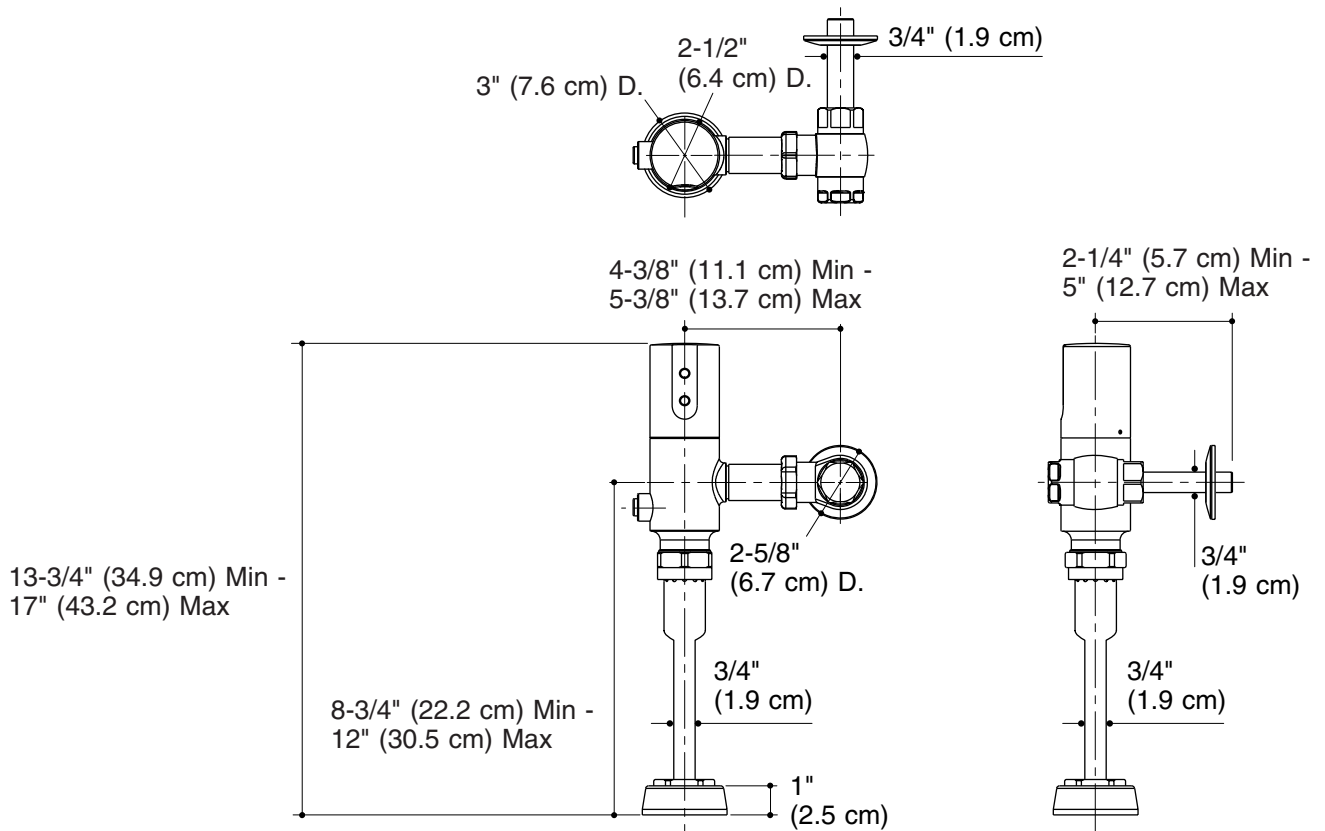
| Model | Description | Colors/Finishes |
|---------|--|-----------------------------|
| K-10960 | Exposed flush valve, washdown | <input type="checkbox"/> CP |
| K-10965 | Exposed flush valve, washdown retrofit | <input type="checkbox"/> CP |
| K-10961 | Exposed flush valve, siphon | <input type="checkbox"/> CP |
| K-10966 | Exposed flush valve, siphon retrofit | <input type="checkbox"/> CP |

PRODUCT SPECIFICATION

Electronic flush valve shall be of brass construction. Valve shall feature electronic infrared sensor with TriPoint technology for accurate activation. Valve shall be of a fixture-mount design. Product is intended for urinal installations with a 3/4" spud coupling connection and requires a control stop and vacuum breaker. Valve shall have a 1 gal (3.79 L) per flush flow rate. Valve includes four 1.5 V AA batteries. Exposed flush valve shall be Kohler Model K-____-CP.

Installation Notes

Install this product according to the installation guide.



Product Diagram