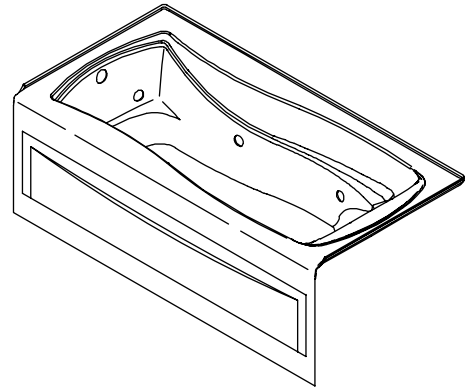


### Features

- Integral apron with removable access panel
- Acrylic
- 1-1/4 HP pump with air switch and cord with plug
- 6 individually adjustable multi-directional hydro-message jets
- UL listed
- Optional K-1491 removable pillow
- Optional K-1639 timer kit
- 72" (182.9 cm) x 36" (91.4 cm) x 20" (50.8 cm)

### BATH WHIRLPOOL WITH INTEGRAL APRON K-1257-LA/RA



### Codes/Standards Applicable

Specified model meets or exceeds the following:

- ANSI Z124.1
- ASME A112.19.7
- IAPMO/UPC
- Underwriter's Laboratories (UL)
- Listed in State of Massachusetts

### Colors/Finishes

- 0: White
- Other: Refer to Price Book for additional colors/finishes

### Accessories:

- CP: Polished Chrome
- PB: Polished Brass
- Other: Refer to Price Book for additional colors/finishes

### Specified Model

Model	Description	Colors/Finishes	
K-1257-LA	Whirlpool with left drain, integral apron	<input type="checkbox"/> 0 White	<input type="checkbox"/> Other _____
K-1257-RA	Whirlpool with right drain, integral apron	<input type="checkbox"/> 0 White	<input type="checkbox"/> Other _____

Recommended Accessories				
K-7166-AF	Drain	<input type="checkbox"/> CP	<input type="checkbox"/> PB	<input type="checkbox"/> Other _____

Optional Accessories				
K-1491	Pillow	<input type="checkbox"/> 0 White	<input type="checkbox"/> Other _____	
K-1639	Timer kit	<input type="checkbox"/> NA		
K-9696	Jet trim kit	<input type="checkbox"/> CP	<input type="checkbox"/> PB	<input type="checkbox"/> Other _____

### Product Specification:

The bath whirlpool shall be 72" (182.9 cm) in length, 36" (91.4 cm) in width, and 20" (50.8 cm) in height. Bath whirlpool shall be made of acrylic. Bath whirlpool shall have integral apron with removable access panel. Bath whirlpool shall have 6 individually adjustable multi-directional hydro-massage jets, 1-1/4 HP pump with air switch and cord with plug. Bath whirlpool shall be UL listed. Bath whirlpool shall have optional K-1491 removable pillow. Bath whirlpool shall have optional K-1639 timer kit. Bath whirlpool shall be Kohler Model K-1257-LA/RA-\_\_\_\_\_.

# MARIPOSA™

## Technical Information

Left drain, integral apron	K-1257-LA	shown	
Right drain, integral apron	K-1257-RA	not shown	
Fixture:*	basin area	top area	weight
Bathing well	50" (127 cm) x 24" (61 cm)	65" (165.1 cm) x 27" (68.6 cm)	110 lbs. (49.9 kg)
	water depth	capacity	
To overflow	14" (35.6 cm)	72 gal. (272.5 L)	

\* Approximate measurements for comparison only.

Pump:	HP	V	Hz	A
1-speed	1-1/4	120	60	7.5

No change in measurements if connected with drain illustrated. (K-7166-AF or K-7166M-AF)	
Faucet area	recommended

## Required Electrical Service

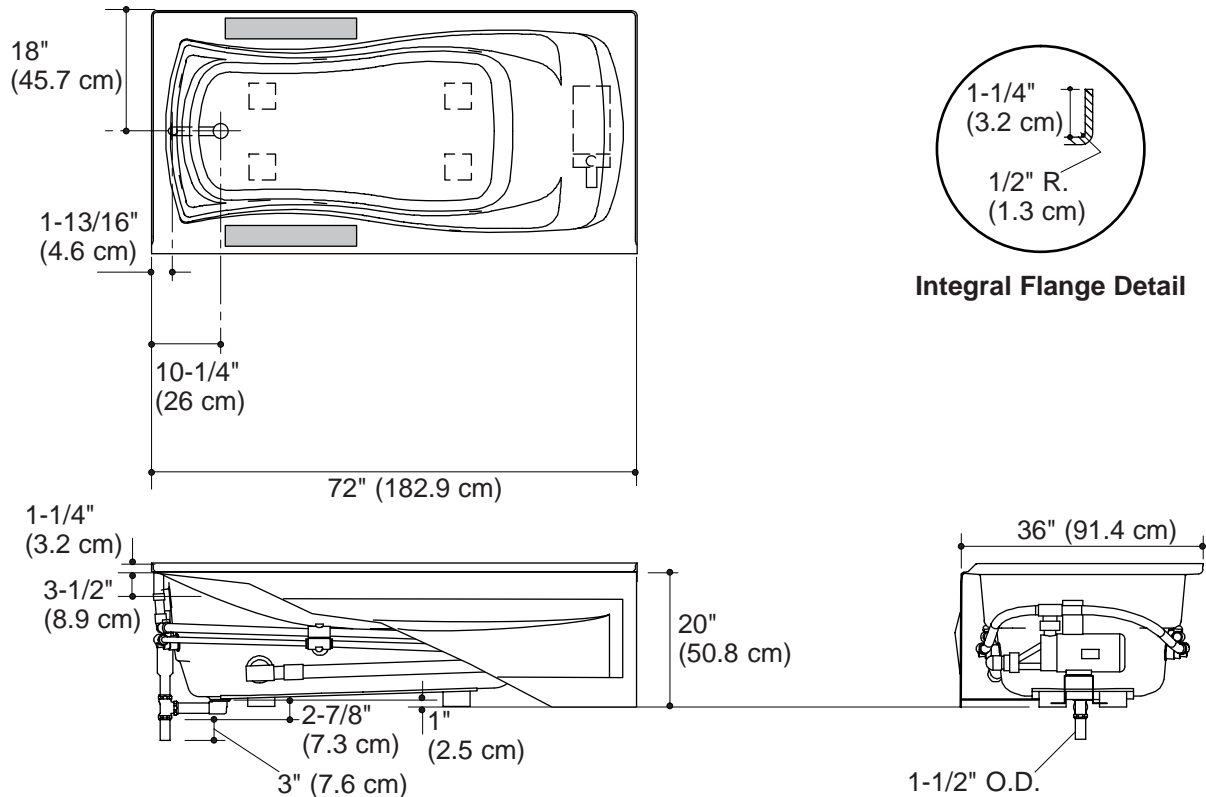
Dedicated circuit required, protected with Class A Ground-Fault Circuit-Interrupter (GFCI):	
Pump/control	120 VAC, 15 A, 60 Hz
Locate the outlet behind the whirlpool and within 24" (61 cm) of the pump.	

## Installation Notes

Install this product according to the installation guide.

Floor support under whirlpool must provide for a minimum of 80 lbs./square foot (390 kg/square meter) loading.

If installing a rim-mount faucet, make sure there is no interference with drain overflow and circulating system before drilling any holes. Consult local and national codes for minimum air gap requirements if installing a spout on the faucet deck.



## Product Diagram