

Features

- *Stainless steel construction*
- *Two quarter-turn washerless ceramic disc valves*
- *10" (25.4 cm) goose neck swing spout*
- *For 8" (20.3 cm) centers*
- *ADA compliant lever handles*
- *2.2 gpm (8.3 lpm) flow rate*

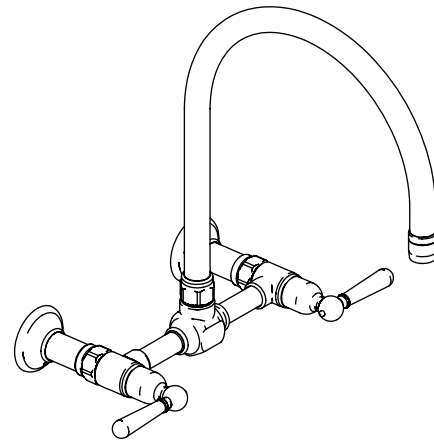
**WALL-MOUNT KITCHEN SINK
FAUCET
K-7338**

ADA

Codes/Standards Applicable

Specified model meets or exceeds the following:

- *ASME A112.18.1*
- *IAPMO/cUPC*
- *NSF 61*
- *ADA*
- *Energy Policy Act of 1992*



Colors/Finishes

- BS: Brushed Stainless Steel
- S: Polished Stainless Steel

Specified Model:

Model	Description	Colors/Finishes	
K-7338-4	Wall-mount kitchen sink faucet for 8" (20.3 cm) centers – lever handles	<input type="checkbox"/> BS	<input type="checkbox"/> S
Recommended Accessories			
K-7344-4	HiRise independent sidespray with lever handle	<input type="checkbox"/> BS	<input type="checkbox"/> S
K-7346	HiRise soap/lotion dispenser	<input type="checkbox"/> BS	<input type="checkbox"/> S

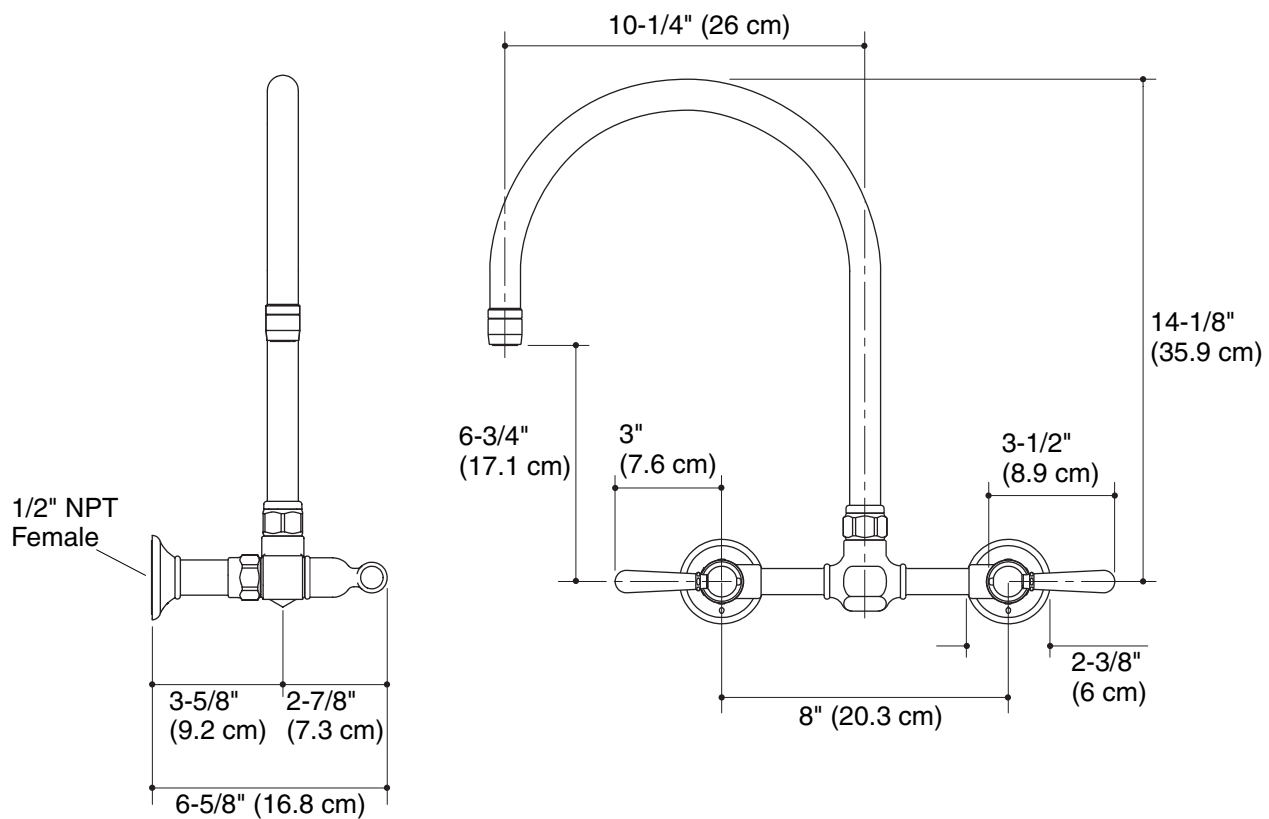
PRODUCT SPECIFICATION

Two-handle wall-mount kitchen sink faucet with 8" (20.3 cm) centers shall be of stainless steel construction. Faucet shall feature two quarter-turn washerless ceramic disc valves, ADA compliant lever handles, and a 10" (25.4 cm) gooseneck swing spout. Faucet shall feature a flow rate of 2.2 gpm (8.3 lpm) flow rate. Faucet shall be Kohler Model K-7338-4-____.

HIRISE™

Installation Notes

Install this product according to the installation guide.



Product Diagram