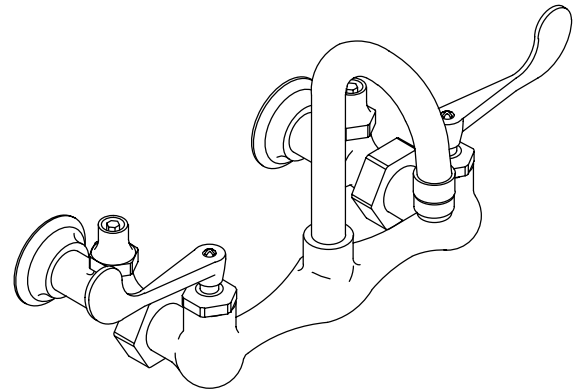


FEATURES

- Brass construction
- For 8" centers
- Brass valve bodies
- Valvet® valves
- 3-5/8" low gooseneck spout
- 7-5/8" wall-to-spout outlet
- 2.2 gallons per minute
- Wristblade handles
- Adjustable flanges
- Loose key stops



CODES/STANDARDS APPLICABLE

Specified model meets or exceeds the following:

- ASME/ANSI A112.18.1M
- Energy Policy Act of 1992
- NSF 61

COLORS/FINISHES

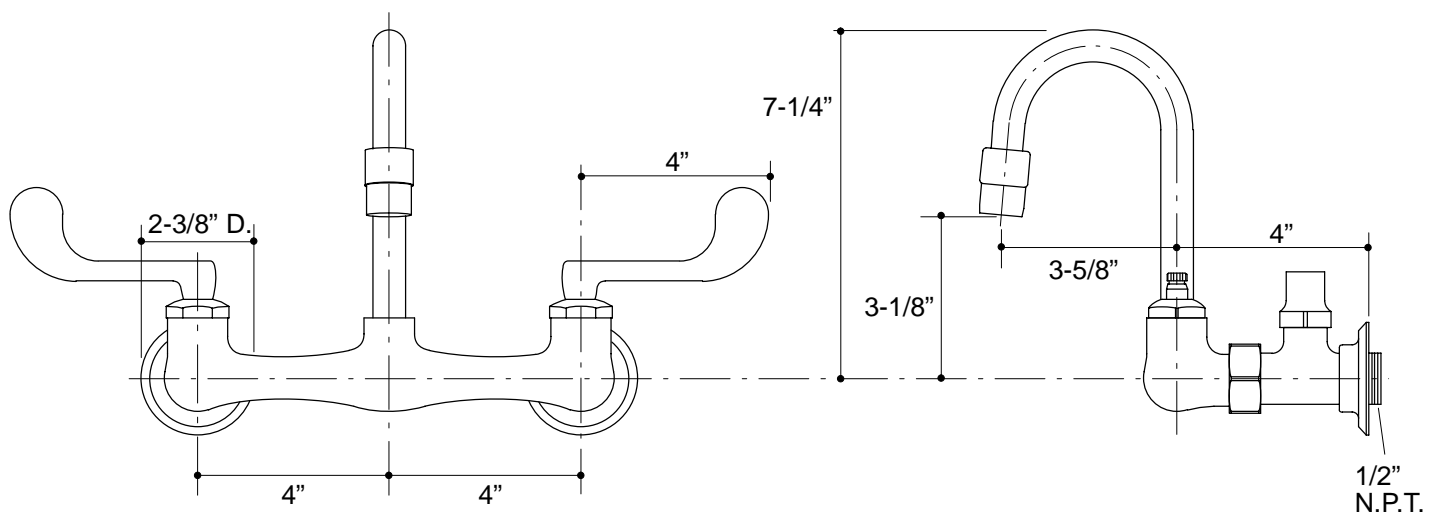
- CP Polished Chrome

SPECIFIED MODEL:

Model	Description	
K-7308-5A	Triton Sink Faucet	<input type="checkbox"/> CP

PRODUCT SPECIFICATION:

Two-handle sink faucet shall be of brass construction. Faucet shall feature brass valve bodies. Faucet shall also feature Valvet valves. Product shall include 8" centers, 3-5/8" low gooseneck spout, 7-5/8" wall-to-spout outlet, internal 1/2" N.P.T. connections, wristblade handles, adjustable flanges, and loose key stops. Faucet shall be Kohler Model K-7308-5A-CP.



PRODUCT DIAGRAM