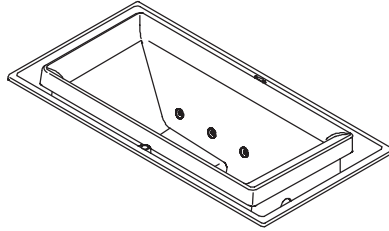


Installation Guide

Overflowing Bath

K-1188, K-1189



M product numbers are for Mexico (i.e. K-12345**M**)
Los números de productos seguidos de **M** corresponden a México
(Ej. K-12345**M**)
Français, page "Français-1"
Español, página "Español-1"

THE BOLD LOOK
OF **KOHLER**®

Important Information



WARNING: When using electrical products, basic precautions should always be followed, including the following:



DANGER: Risk of electric shock. Connect only to a circuit protected by a Ground-Fault Circuit-Interrupter (GFCI) or Earth-Leakage Circuit-Breaker (ELCB).



WARNING: Risk of electric shock. A licensed electrician should make all electrical connections.



WARNING: Risk of electric shock. Disconnect power before servicing.



WARNING: Risk of injury or property damage. Please read all instructions thoroughly before beginning installation, including the following requirements.

NOTICE: Follow all local plumbing and electrical codes.

Install to permit access for servicing.

A green with yellow stripe lead wire is provided within the wiring compartment. To reduce the risk of electrical shock, connect this wire to the grounding terminal of your electric service or supply panel with copper wire equivalent in size to the circuit conductor supplying this equipment.

A pressure wire connector is provided on the exterior of the pump or control within this unit to permit connection of a bonding conductor between this unit and all other exposed metal in the vicinity, as needed to comply with local requirements.

Grounding is required. The unit should be installed by a qualified service representative, and grounded.

Building materials and wiring should be routed away from the pump body and other heat-producing components of the unit.

Important Product Information

Product Notices



WARNING: Unauthorized modification may cause unsafe operation and poor performance of the bath. Do not relocate the pump, or make other modifications to the circulating system, as this could adversely affect the performance and safe operation of your bath. Kohler Co. shall not be liable under its warranty or otherwise for personal injury or damage caused by any such unauthorized modification.

Product Inspection

Carefully unpack the product, and inspect the unit for damage. Return the unit to the carton during construction to prevent damage.

NOTICE: Make sure the union connections to the pump, in-line heater, and butterfly valves are securely tightened. Do not overtighten.

Factory-Assembled Features

Factory installed components include pump, level sensors, in-line heater, submerged chromatherapy lights (optional), control and switch. The pump and piping are factory-assembled.

Important Product Information (cont.)

Connections and Service Access

NOTICE: Provide unrestricted service access to the pump and heater. Provide unrestricted service access to the pump, in-line heater, adjustable feet, and control box. You must construct an access panel to provide sufficient clearance for servicing the pump, in-line heater, and control box. The access panel must be located immediately next to the pump and in-line heater. Study the roughing-in information.

Electrical Requirements

The installation must have two Class A Ground-Fault Circuit-Interrupters (GFCI's) or Earth-Leakage Circuit-Breaker (ELCB's). The GFCI/ELCB protects against line-to-ground shock hazard. Use a 240 V, 20 A, 50/60 Hz dedicated service for the pump controls. Use a separate 240 V, 20 A, 50/60 Hz dedicated service for the heater.

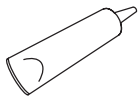
An equipment grounding terminal is provided in the field wiring compartment. To reduce the risk of electrical shock, this terminal must be connected to the grounding means provided in the electrical supply panel with a conductor equivalent in size to the circuit conductors supplying this equipment.

Install this unit in accordance with the Canadian Electric code, Part I.

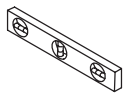
Thank You For Choosing Kohler Company

We appreciate your commitment to Kohler quality. Please take a few minutes to review this manual before you start installation. If you encounter any installation or performance problems, please don't hesitate to contact us. Our phone numbers and website are listed on the back cover. Thanks again for choosing Kohler Company.

Tools and Materials



Silicon Sealant



4' (1.2 M)
Level



Tape
Measure



Safety
Glasses



Pencil

- Conventional woodworking tools and materials
- Drop cloth
- 2x4's or 2x6's

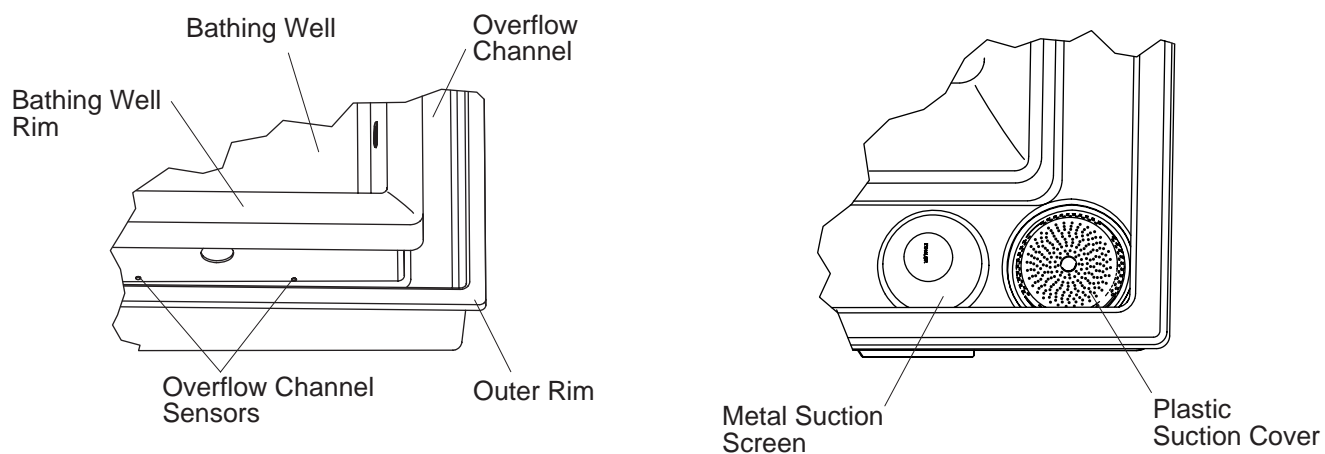
Introduction

Please read these instructions carefully to familiarize yourself with the required tools, materials, and installation sequences. Follow the sections that pertain to your particular installation. This will help you avoid costly mistakes. In addition to proper installation, read all operating and safety instructions.

All information in this manual is based upon the latest product information available at the time of publication. At Kohler, we constantly strive to improve the quality of our products; we therefore reserve the right to make changes in product characteristics, packaging, or availability at any time without notice.

Before You Begin

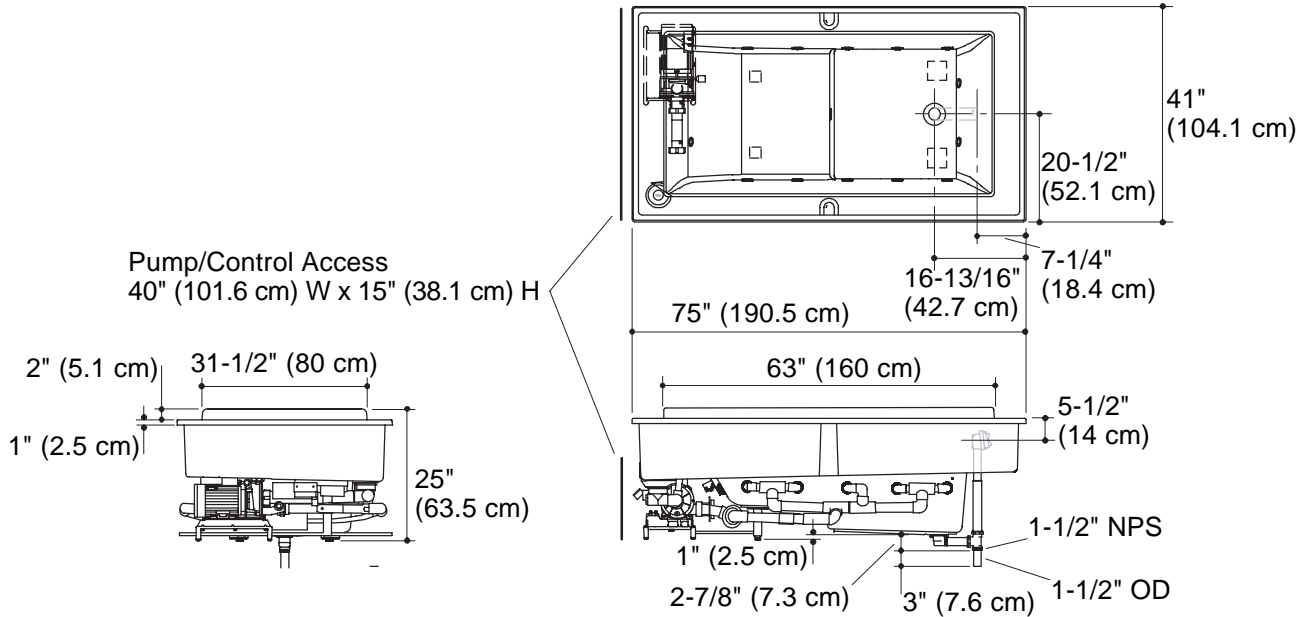
- Your bath is designed for drop-in island installation. Undermount and alcove installations are also possible.
- You must install the bath onto an adequately supported, level subfloor.
- Provide properly dimensioned framing.
- Choose a fill spout which will provide adequate reach and a minimum 2" (5.1 cm) air gap above the bathing well rim of the overflowing bath. You may need to build up the deck material to obtain adequate air space because the outer rim may be lower than the bathing well rim depending on the specific area of the bath.
- Follow local plumbing codes.
- The bath must be filled with water through the bathing well, not the overflow channel.
- If you plan to install a deck-mounted, hand-held shower, the diverter vacuum breaker must maintain a minimum 1" (2.5 cm) air gap above the outer rim.
- When using the K-922 or K-923 Laminar Bath Spout with drip tray K-924, the distance from the finished wall to the outside wall of overflow channel should not exceed 2" (5.1 cm).



List of Terms

- **Bathing well** - The deep portion of the overflowing bath used by the bather.
- **Bathing well rim** - The high rim between the bathing well and the overflow channel. Water will evenly cascade over the bathing well rim and into the overflow channel during operation.
- **Cavitation** - When air is drawn into the pump instead of water to a point where it impairs or stops the pump's ability to circulate water.
- **Chromatherapy control pad** - Turns the chromatherapy lights on and off (if equipped).
- **Chromatherapy lights** - Lights provided in the basin of the bath (if equipped) to enhance your bathing experience.
- **Heater** - Designed to automatically help maintain the temperature of the water up to 104° F (40° C) to enhance your hydro-massage experience. The heater turns on automatically when the whirlpool is operating, and turns off when the pump motor is turned off.
- **Master control** - This unit is located beneath the pump. It provides the "brains" of the system, interpreting all incoming and outgoing signals.
- **Metal suction screen** - The removable metal screen located over the suction cover in the overflow channel. The suction screen must always be clean and in place when the overflowing bath is running to prevent debris from entering the water intake port and to prevent cavitation and poor operation.
- **Outer rim** - The rim along the outside of the bath.
- **Overflow channel** - The overflow water collection channel surrounding the bathing well. The overflow channel collects the water overflowing the bathing well rim during normal operation, and channels the water back into the piping system for recirculation.
- **Overflow channel sensors** - The two metal probes located in the wall of the overflow channel beneath the drain overflow hood. These sensors prevent activation of the pump if insufficient water is available, and will automatically shut off the pump if the water level drops below them. The pump will only operate when these two sensors are completely submerged.
- **Pump control switch** - Turns the pump on and off.
- **Plastic suction cover** - The plastic guard attached over the water intake port located in the overflow channel. The suction cover must always be installed during product use to ensure user safety.
- **Pump** - The pump circulates the water.
- **Wire harness** - The wire harness connects all powered peripheral components (valves, pump, heater, switches, lights) to the master control.

No change in measurements if connected with drain illustrated. (K-7193 or K-7193M)
 Cut-out 73-1/2" (186.7 cm) x 39-1/2" (100.3 cm)

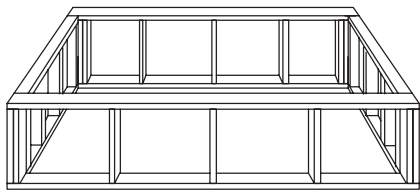


1. Roughing In Information

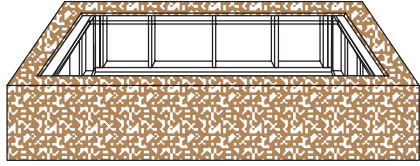
NOTICE: The floor support under the whirlpool must provide for a minimum of 2000 lbs. (907.2 kg).

- Two separate 240 V electrical services are required: one for the pump/control, and one for the heater.
- Consult local and national codes for minimum air gap requirements when installing a spout on the faucet deck.
- The overflowing bath must be filled through the bathing well.
- Hot water supply should be 70% of the capacity or greater.
- The fixture conforms to ANSI Standard Z124.1. All dimensions are nominal.
- There is no change in measurements if connected with the drain illustrated (K-7193, K-7193M).
- Cut-Out = 73-1/2" (186.7 cm) x 39-1/2" (100.3 cm)
- An access panel is required. The recommended dimensions for this access panel are 40" (101.6 cm) W x 15" (38.1 cm) H. Refer to the roughing-in diagram for suggested access panel location.
- Make sure the flooring is in good condition and offers adequate support for your bath.

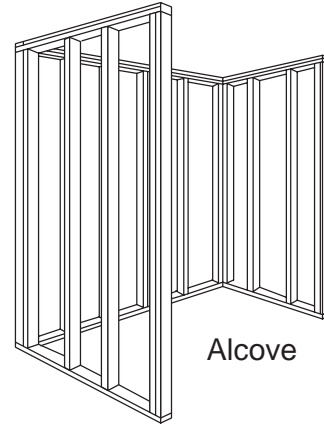
IMPORTANT! Verify that the subfloor is flat and level. This will help minimize the leveling adjustments necessary for proper product performance.



Deck



Undermount

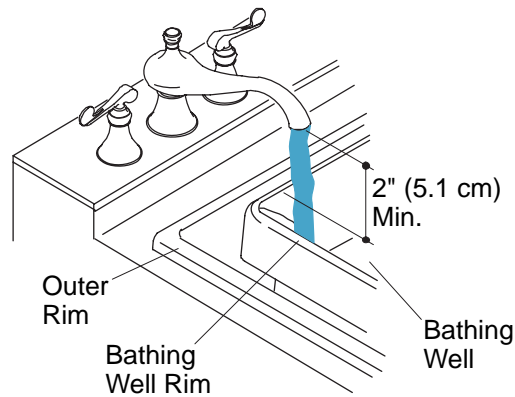


Alcove

2. Construct the Stud Framing

NOTICE: Provide unrestricted service access to the pump, in-line heater, adjustable feet, and control box. You must construct an access panel to provide sufficient clearance for servicing the pump, in-line heater, and control box.

- Construct stud framing designed for your particular installation. The overflowing bath can be installed in a deck, undermount, or alcove installation.
- Frame the floor, or construct a frame for a raised installation in accordance with the roughing-in information.
- When constructing the framing, allow for the thickness of sub and finished deck materials.
- Framing should be of 2x4 construction.
- For undermount installation, allow for the thickness of the planned deck material, and provide proper support.
- Do not support the bath by the rim.
- When planning the stud framing, take into account the required 2" (5.1 cm) air gap between the end of the fill spout and the top of the bathing well rim. Take into account the thickness of your planned finished deck material, and construct the framing and deck material with this minimum air gap in mind.



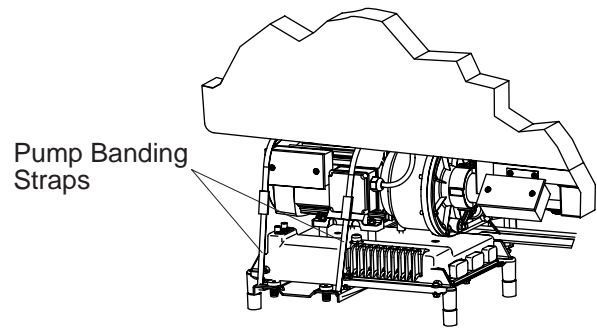
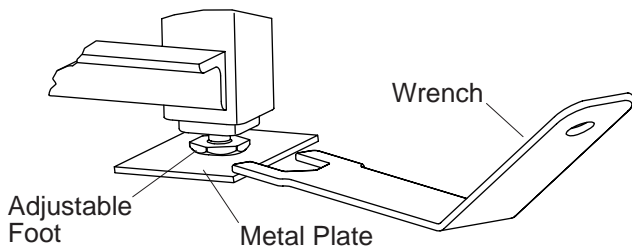
3. Install the Rough Plumbing

IMPORTANT! Choose a fill spout which will provide a minimum 2" (5.1 cm) air gap above the basin rim of the overflowing bath. In addition, if you plan to install a deck-mounted, hand-held shower, the diverter vacuum breaker must maintain a minimum 1" (2.5 cm) air gap above the outer rim of the overflowing bath.

- Position the plumbing. Position the fill spout supply so the spout will reach beyond both the outer rim and the bathing well rim. **Water from the fill spout must be directed into the bathing well to fill the overflowing bath.** The overflowing bath should never be filled by directing water into the overflow channel.
- Cap the supplies, and check for leaks.

4. Prepare the Unit

- Carefully lift the overflowing bath out of the carton.
- Identify the box located inside the overflow channel. This box contains the metal suction screen, and must be saved for use with this product.
- Install the drain according to the drain manufacturer's instructions. Do not connect the trap at this time.
- Position a clean drop cloth or similar material in the bottom of the bath. Be careful not to scratch the surface of the overflowing bath.



5. Position the Unit



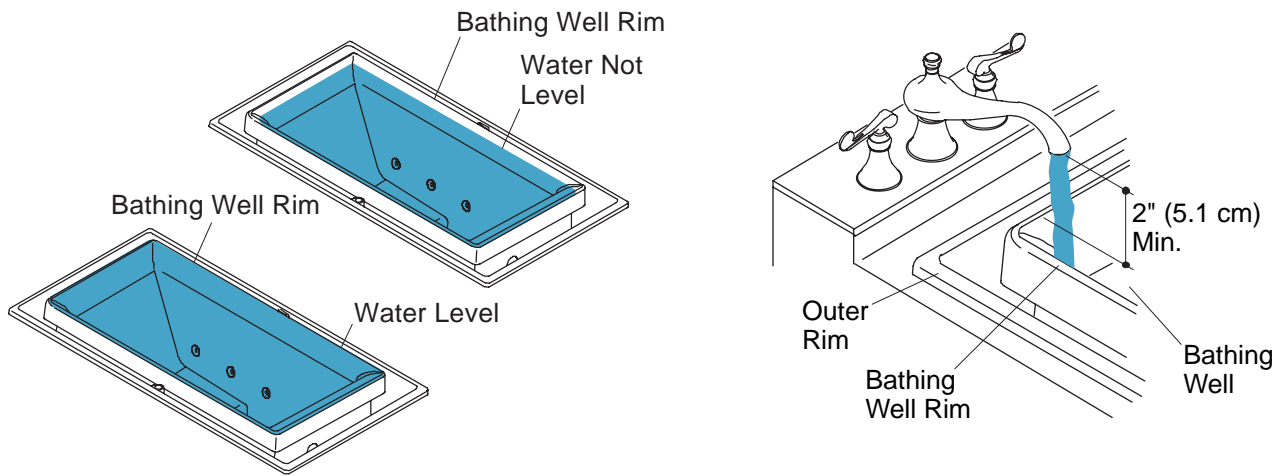
CAUTION: Risk of product damage. Do not lift or support the overflowing bath by the pump or piping.

NOTE: Do not use adhesive or a cement or mortar bed to secure this product to the subfloor.

- With help, carefully lift the overflowing bath into place. Using metal plates under the adjustable feet is recommended and will make leveling the bath easier.

NOTE: If you do not have a 4' (1.2 m) level, go to the next section.

- Level by turning the adjustable feet up or down with the wrench (7/8") attached to the harness near the pump. Make sure all four adjustable feet rest directly on the subfloor, and make sure the bathing well rim is level within 1/8" (3 mm) in all directions.
- After the overflowing bath is level, adjust the leveling foot located underneath the pump. Turn the foot until it rests directly on the subfloor. Use an accurate 4' (1.2 m) level, if available. Taking the time to carefully level the overflowing bath now minimizes the need to make leveling adjustments later in the installation.
- Cut and discard the banding straps from the pump.
- Make sure the rubber isolation feet are in place.
- Insert the drain tailpiece into the trap.



6. Level the Overflowing Bath (without level)

NOTICE: You do not need electrical power for the unit for the following leveling procedure.

- Insert the drain tailpiece into the trap, and connect the drain to the trap according to the drain manufacturer's instructions.
- Close the drain, and plug or cover the suction cover to temporarily make them watertight.
- Use a hose and fresh water supply to fill the bathing well to the bathing well rim.
- Observe the water level in relation to the bathing well rim, and use the wrench to turn the adjustable feet up or down as needed to obtain a uniform water level at each of the four corners.
- Open the drain, and unplug the suction cover to drain the bathing well.

IMPORTANT! Allow adequate access to each of the four adjustable feet until after you have test run your bath.

7. Install the Plumbing

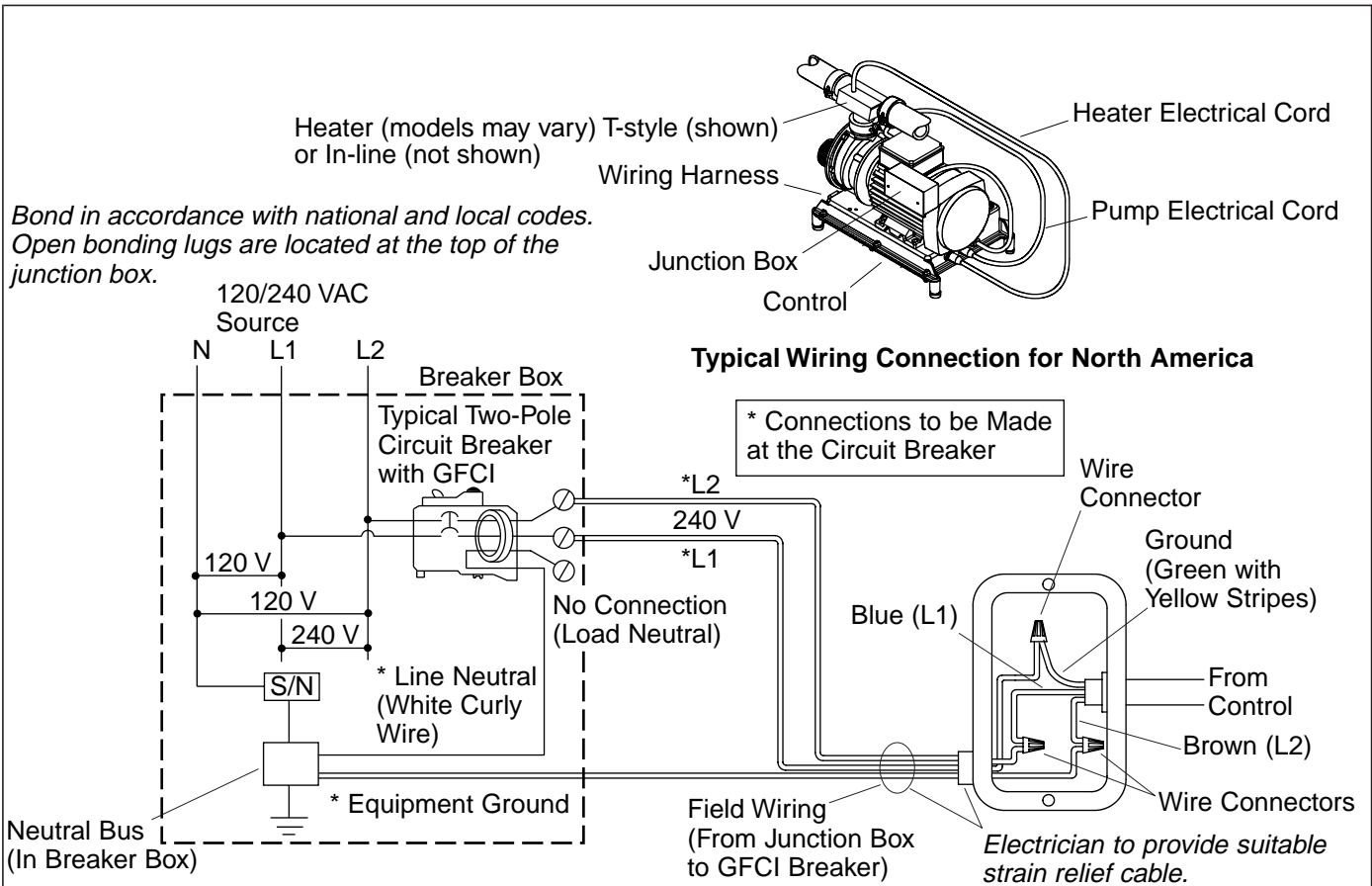


CAUTION: Risk of property damage. Ensure a watertight seal on the drain connections.

IMPORTANT! Choose a fill spout which will provide adequate air space above the bathing well rim of the bath. You may need to build up the deck material to obtain adequate air space because the outer rim may be lower than the bathing well rim. In addition, if you plan to install a deck-mounted, hand-held shower, the diverter vacuum breaker must maintain a minimum 1" (2.5 cm) air gap above the outer rim.

NOTE: An access panel will simplify future maintenance.

- If you have not yet done so, connect the drain to the trap according to the drain manufacturer's instructions.
- Install the faucet valving according to the faucet manufacturer's instructions. Do not install the faucet trim until instructed.
- Make sure all butterfly valves and supply connections are tightened securely.
- Open the hot and cold water supplies, and check the supply connections for leakage.
- Run water into the bathing well, and check the drain connections for leakage.



8. Make the Electrical Connections

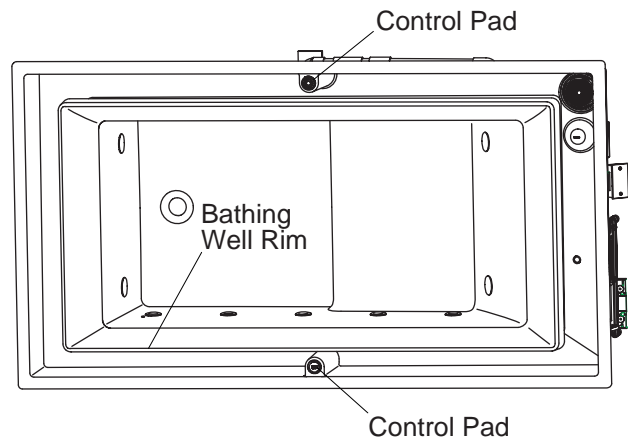
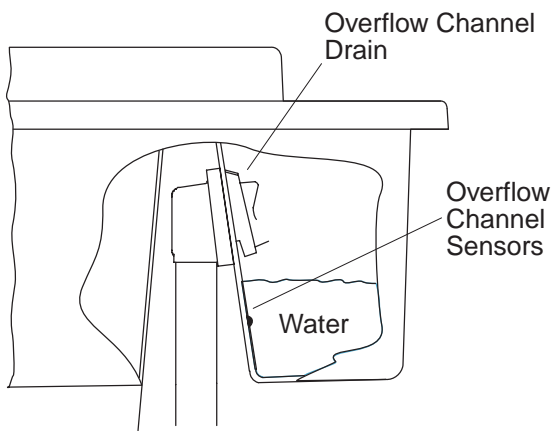
NOTE: The product model number is printed on a label on the pump side of the overflowing bath. This label also identifies the electrical rating of the product. All whirlpools come equipped with a wiring junction box and are designed to operate between 208 VAC and 240 VAC at either 50 HZ or 60 HZ.

- WARNING: Risk of electrical shock.** Make sure the power has been disconnected before performing the following procedures. Refer to the "Important Information" section.
- WARNING: Risk of electrical shock.** To reduce the risk of electrical shock, connect the pump to a properly grounded Ground-Fault Circuit-Interrupter (GFCI) or Earth-Leakage Circuit-Breaker (ELCB). This will provide additional protection against line-to-ground shock hazard. A 208-240 V, 20 A, 50/60 Hz dedicated circuit is required.

IMPORTANT! The **load neutral** is not used. There should be no connection to the **load neutral** terminal on the Ground-Fault Circuit-Interrupter (GFCI) breaker. The green wire with the yellow stripe is the **equipment ground** and needs to be connected to the neutral bus in the main circuit breaker box.

- The overflowing bath control and system have been pre-wired at the factory. A licensed electrician should make a routine service connection to the junction box.
- Connect service to the junction box. The junction box contains blue, brown, and green with a yellow stripe colored wires.
- Follow local electrical codes. Bond in accordance with national and local codes.
- A wiring harness has been pre-wired at the factory, allowing communication between the keypad, all features, and the control. No additional wiring is required, but ensure that all wires are securely fastened.

NOTE: Your wiring harness included an antenna for the optional remote control. Do not alter or damage this antenna during installation.



9. Test Run the Overflowing Bath

- Check all electrical connections, and make sure the electrical power to the unit is turned on.
- Make sure union connections to the pump, butterfly valves, and in-line heater are securely hand tightened. Make sure the bathing well and overflow channel are clean and free of debris.
- Position the metal suction screen over the plastic suction cover (see illustration, previous page). The pump may cavitate if the metal screen is not in place.
- Fill the overflowing bath bathing well with water so it overflows the bathing well rim and flows into the overflow channel. Continue filling the bathing well until both overflow channel sensors are completely covered with water, and the water level is at the drain overflow.
- Verify that the green light in the pump control switch starts to blink automatically within 1/2 minute after the overflow channel sensors are completely submerged.

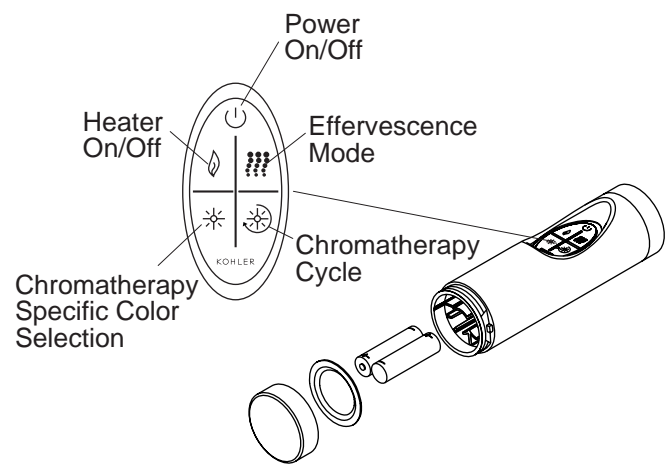
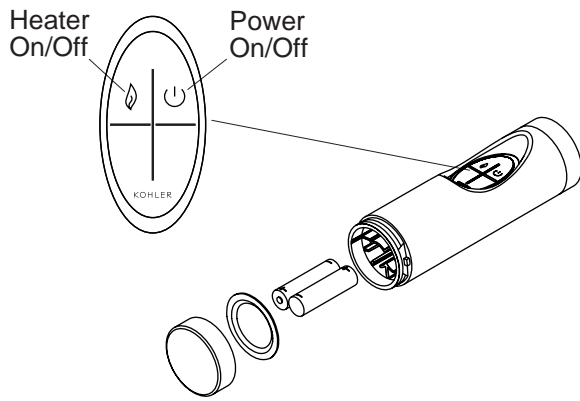
10. Test the Control Switch

- Press the pump control switch to start the pump/motor and begin the hydro-therapy cycle. As the pump/motor turns on and the water begins to circulate, the light will turn to constant green, and will stay on as long as the overflowing bath is running.
- With the unit running, check all harness (piping) connections for leaks. Visually observe the cascading water flow over the bathing well rim to verify that it is smooth and even along all four sides and corners.
- If the water is cascading uniformly over all four sides of the bathing well rim, you do not need to make further leveling adjustments.
- If further leveling is necessary, keep the overflowing bath running and turn the adjustable feet up or down with the 7/8" wrench provided. Make sure the unit is resting on all four adjustable feet.
- Verify that the chromatherapy lights (if applicable) are operating. Press the chromatherapy control switch (located directly across the bath from the power switch) to turn on the lights. Upon start-up the lights should be changing through the color sequence. Press the light control switch a second time. The lights should stop sequencing and stay one color. Press the light control switch again and lights will deactivate.
- Check the harness connections for leakage one more time.
- Press the pump control switch again to turn off the bath. The green light in the pump control switch will then start to blink automatically (after approximately 1/2 minute) until the overflowing bath is drained or restarted.

NOTE: For additional information on operation of your bath, see the "Using Your Overflowing Bath" section.

Test the Control Switch (cont.)

IMPORTANT! Allow adequate access to each of the four adjustable feet until test run is complete.



11. Test the Remote Control

NOTE: There are two types of remote controls available: a basic unit and a unit with controls for chromatherapy and effervescence. Determine which unit you have and follow the corresponding directions.

NOTE: Your remote requires two AAA batteries. To install or replace them simply unscrew the base of the remote.

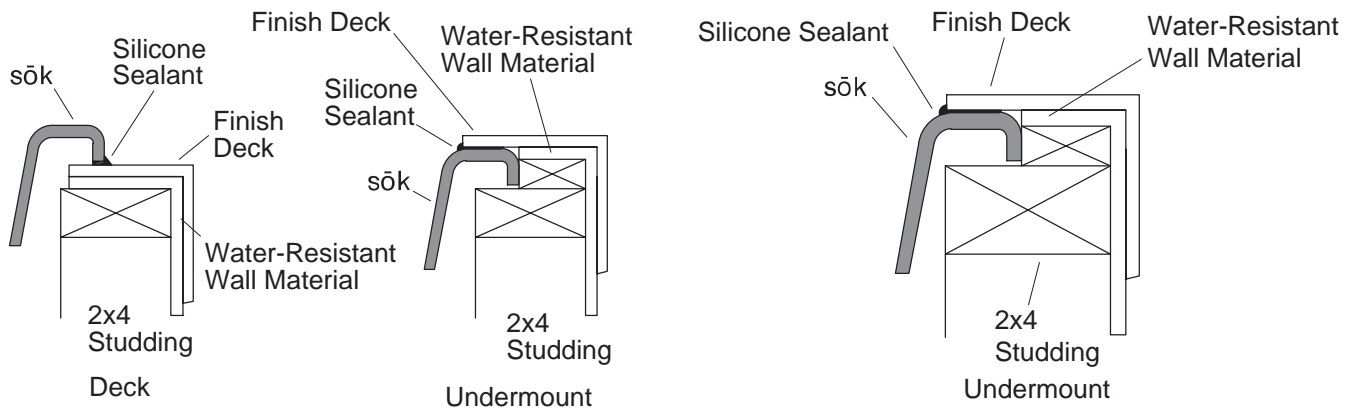
Your overflowing bath is equipped with a waterproof remote.

To turn the pump and the chromatherapy lights on and off, press the power button.

To reheat the water in the overflowing bath as it circulates, turn the heater on by pressing the heater icon (the heater defaults to "On" when the pump is turned on). Press the heater icon again to turn the heater off. The heater will not operate if the pump is off. If the heater is on the pump switch will be dark green. If the heater is off it will be yellow-green.

To cycle the chromatherapy lights through the spectrum of colors, press the chromatherapy cycle icon.

To lock an individual chromatherapy color in, press the chromatherapy specific color icon.



12. Complete the Finished Wall or Deck

NOTICE: Provide unrestricted service access to the pump, in-line heater, adjustable feet, and control box. You must construct an access panel to provide sufficient clearance for servicing the pump, in-line heater, and control box.

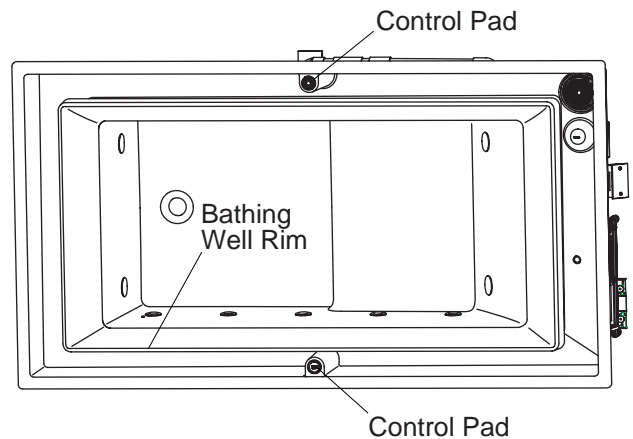
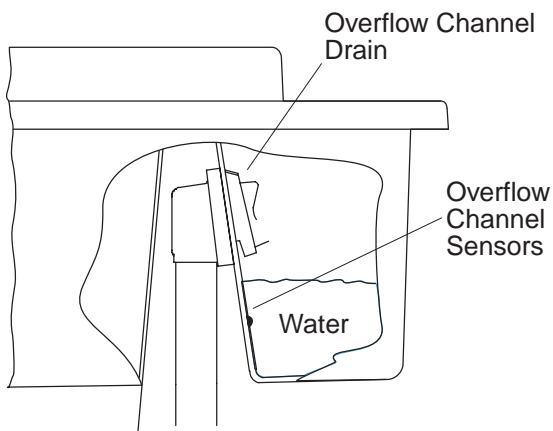
- Protect the product surface. Cover the framing with water-resistant wall material.
- Keep the entire overflow channel area exposed to allow access to the drain overflow, and to permit easy cleaning of the overflow channel surfaces.
- Seal the joints between the rim edge and the water-resistant wall or deck material with silicone sealant.
- Tape and mud the water-resistant wall material.
- Install the finished wall to the water-resistant wall material.
- Seal the joints between the product rim and the finished wall material with silicone sealant.

13. Install the Faucet Trim

- Install the faucet trim according to the instructions packed with the trim.

14. Clean-Up After Installation

- When cleaning up after installation, **do not use abrasive cleansers**, as they may scratch and dull the bath surface. Use warm water and a liquid detergent to clean the surface.
- Remove stubborn stains, paint, or tar with turpentine or paint thinner. **Do not allow cleaners containing petroleum distillates to remain in contact with any bath surfaces for long periods of time.** Remove plaster by carefully scraping with a wood edge. Do not use metal scrapers, wire brushes, or other metal tools. Use a powder-type detergent on a damp cloth to provide mild abrasive action to any residual plaster.



15. Using Your Bath

Fill the Overflowing Bath

NOTE: Please read these steps carefully before you operate your bath.

- Make sure the metal suction screen is clean, and is correctly in place over the plastic suction cover.

NOTE: The water temperature in the bath should not exceed 104° F (40° C) or the heater will not operate.

IMPORTANT! Like any other bath, prevent flooding the area around the unit by entering the filled bathing well slowly. This will allow the system to properly drain excess water.

- Fill the unit with water so the bathing well overflows into the overflow channel to the drain. The channel sensors should be completely covered with water.
- The green light in the pump control switch will start to blink automatically within 1/2 minute after the sensors are submerged to let you know the unit is ready to start.

Operating Sequence

- Press the pump control switch to start the pump/motor and begin operation.
- As the pump/motor turns on and water begins to circulate, the light on the pump control switch will change to solid green, and will stay on as long as the overflowing bath is running.
- Verify that the indicator light for the heater is on when the overflowing bath is in operation. This indicator light is located on the underside of the heater box, and is near the subfloor at the pump end of overflowing bath. If the light is not on when the overflowing bath is running, try and reset the GFCI/ELCB.
- Press the pump control switch again to turn off the overflowing bath. The green light in the pump control switch will then start to blink automatically for approximately 1/2 minute until the overflowing bath is drained below the overflow channel sensors or restarted.

NOTE: A built-in timer automatically stops the bath after approximately 20 minutes of operation.

- Press the pump control switch again to start the pump/motor and begin operation.
- Press the "On/Off" control switch to start the pump/motor and begin operation.
- An orange light in the "On/Off" control switch will temporarily turn on to indicate the start of the operating mode.

Using Your Bath (cont.)

- As the pump/motor turns on and water begins to circulate, the light will change to solid green, and will stay on as long as the overflowing bath is running.
- Verify that the indicator light for the heater is on when the overflowing bath is in operation. This indicator light is located on the underside of the heater box, and is near the subfloor at the pump end of overflowing bath. If the light is not on when the overflowing bath is running, press the reset button located to the right of the indicator light on the heater box.
- Press the "On/Off" control switch again to turn off the overflowing bath. The orange light in the "On/Off" switch will temporarily turn on to indicate the end of the operating mode. The green light in the "On/Off" control switch will then start to blink automatically until the overflowing bath is drained below the overflow channel sensors or restarted.

NOTE: A built-in timer automatically stops the bath after approximately 20 minutes of operation.

16. Chromatherapy Light Operation (if equipped)

NOTE: These directions pertain to the use of the mounted control pad only. For more information, see the "Test the Remote Control" section.

If the chromatherapy lights are turned off, press the button on the control pad (located on the opposite side of the overflowing bath). The chromatherapy lights will begin to cycle through each of the colors (sweep mode).

When the chromatherapy lights are in sweep mode, you can lock in one color light by pressing the control button.

When an individual color is locked in, press the control button to turn the chromatherapy lights off.

Troubleshooting Procedures

Troubleshooting Table

This Troubleshooting Guide is for general aid only. Contact a Kohler Authorized Service Representative or a qualified electrician to correct all electrical problems. For warranty service, contact your dealer or wholesale distributor.

Symptoms	Probable Causes	Recommended Action
1. Green light in "On/Off" control switch flashes before the bathing well is full of water.	A. Spout fills directly into overflow channel. B. One or both butterfly valves do not work. C. Control does not work.	A. Adjust/reinstall the spout to fill directly into the bathing well. Refer to the installer/dealer. B. Check the butterfly valve wiring or replace the butterfly valves. Refer to the installer/dealer. C. Check the wiring or replace the control. Refer to the installer/dealer.
2. Product does not start.	A. No power to unit.	A. Turn on the power to the unit, or correct the source of the power loss. Refer to the installer/dealer.

Troubleshooting Procedures (cont.)

Symptoms	Probable Causes	Recommended Action
	<p>B. Water does not cover the overflow channel sensors.</p> <p>C. "On/Off" control switch does not light up or flash when the unit is running or filled as required.</p> <p>D. Pump/motor does not work.</p> <p>E. Control does not work.</p>	<p>B. Fill the bathing well until water flows over the bathing well rim, into the overflow channel, and covers the overflow channel sensors. Suggested fill level is to the drain overflow.</p> <p>C. Check the wiring or replace the "On/Off" control switch. Refer to the installer/dealer.</p> <p>D. Rebuild or replace the pump/motor. Refer to the installer/dealer.</p> <p>E. Check the wiring or replace the control. Refer to the installer/dealer.</p>
<p>3. Water does not cascade evenly over the entire bathing well rim.</p>	<p>A. Unit is not level.</p> <p>B. Bathing well ports are blocked.</p> <p>C. Metal suction screen is blocked.</p>	<p>A. Level the unit by using the wrench provided to turn the adjustable feet up or down as needed.</p> <p>B. Remove blockage.</p> <p>C. Clean the metal suction screen.</p>
<p>4. Unit stops automatically before 18 minutes.</p>	<p>A. GFCI/ELCB trips.</p> <p>B. Motor overheated and protection device activated.</p> <p>C. Water level drops below the overflow channel sensors during operation ("yellow" ring will be flashing on pump switch).</p>	<p>A. Identify the source of the fault and correct. Refer to the installer/dealer.</p> <p>B. Check for blockage of the motor vent. Allow the motor to cool, then remove the blockage. Check for a plugged metal suction screen, and allow the motor to cool before restarting. Check for blockage of the bathing well ports. Remove the blockage, and allow the motor to cool before restarting.</p> <p>C. Fill the bathing well until water flows over the bathing well rim, into the overflow channel, and covers the overflow channel sensors. Suggested fill level is to the drain overflow. Make sure the bath drain seals properly.</p>
<p>5. Noisy operation.</p>	<p>A. Metal suction screen is not in place over the plastic suction cover.</p>	<p>A. Position the metal suction screen over the plastic suction cover to prevent cavitation.</p>

Troubleshooting Procedures (cont.)


Symptoms	Probable Causes	Recommended Action
	<p>B. Insufficient water level in the overflow channel.</p> <p>C. Pump/motor rattles.</p>	<p>B. Fill the bathing well until water flows over the bathing well rim, into the overflow channel, and covers the overflow channel sensors. Suggested fill level is to the drain overflow. Make sure the bath drain seals properly.</p> <p>C. Make sure the pump/motor banding straps have been cut.</p>
6. Water temperature drops significantly over 20 minutes of operation.	<p>A. Heater limit switch tripped. Indicator light should be "On" during operation.</p> <p>B. Heater does not work.</p>	<p>A. Reset the GFCI/ELCB.</p> <p>B. Check the wiring or replace the heater. Refer to the installer/dealer.</p>
7. Chromatherapy lights do not work.	<p>A. Damaged wiring harness.</p> <p>B. Control does not work.</p>	<p>A. Check the wiring or replace the control. Refer to the installer/dealer.</p> <p>B. Replace wiring harness. Refer to the installer/dealer.</p>
8. Remote control does not work	<p>A. Batteries improperly installed or dead.</p> <p>B. Control does not work.</p> <p>C. Remote control is not programmed correctly.</p> <p>D. Faulty remote control.</p> <p>E. Faulty control.</p>	<p>A. Replace the batteries.</p> <p>B. Replace wiring harness. Refer to the installer/dealer.</p> <p>C. See homeowners guide or service manual.</p> <p>D. Replace the remote control.</p> <p>E. Replace the control.</p>
9. Water does not reach bath rim upon filling.	<p>A. No power to the unit.</p> <p>B. Level probe wires loose.</p> <p>C. Butterfly valves faulty.</p> <p>D. Faulty control.</p>	<p>A. Turn on the power.</p> <p>B. Check/reconnect wires.</p> <p>C. Check wiring; replace butterfly valves if necessary.</p> <p>D. Replace control.</p>

Guide d'installation

Baignoire à déversement


Renseignements importants

 **AVERTISSEMENT : Lors de l'utilisation des produits électriques, des précautions de base devraient toujours être observées, incluant ce qui suit:**

 **DANGER : Risque d'électrocution.** Raccorder uniquement à un circuit protégé par un Disjoncteur de fuite de terre (GFCI) ou à un Disjoncteur de mise à la terre (ELCB).

 **AVERTISSEMENT : Risque d'électrocution.** Tous les raccords électriques devraient être réalisés par un électricien agréé.

 **AVERTISSEMENT : Risque d'électrocution.** Débrancher l'alimentation avant de procéder à l'entretien.

 **AVERTISSEMENT : Risque de blessures ou d'endommagement du matériel.** Veuillez s'il vous plaît lire avec attention toutes les instructions avant de commencer l'installation, y compris les conditions suivantes:

AVIS : Respecter tous les codes de plomberie et électriques locaux.

Installer de façon à permettre l'accès pour l'entretien.

Un câble électrique vert avec une rainure jaune est fourni dans le compartiment du câblage. Afin de réduire les risques d'électrocution, raccorder le câble de sortie à la borne de terre du panneau de service électrique, avec un câble en cuivre ayant la même calibre que celui du fil conducteur qui alimente cet équipement.


Un connecteur à pression par câble est prévu à l'extérieur de la pompe ou de la commande de cet appareil afin de permettre la connexion entre l'appareil et toutes autres surfaces de métal avoisinantes, tel que requis par les normes locales.

Une mise à la terre est requise. L'appareil doit être installé et mis à la terre par un représentant qualifié.

Les matériaux de construction et le câblage devraient être acheminés loin du corps de la pompe et des autres composants qui dégagent de la chaleur de l'unité.

Renseignements importants sur le produit

Notices du produit

 **AVERTISSEMENT : Des modifications non autorisées pourraient engendrer une opération dangereuse et une faible performance de la baignoire.** Ne pas relocaliser la pompe ou effectuer d'autres modifications au système de circulation car cela pourrait affecter la performance la sécurité du fonctionnement. Kohler Co. décline toute responsabilité sous ses garanties quant à toutes blessures ou dommages causés par des modifications non autorisées.

Inspection du produit

Déballer avec précaution le produit et inspecter pour déceler tout dommage. Remettre l'unité dans le carton durant la construction pour éviter tout dommage.

AVIS : S'assurer que les raccords à la pompe, les vannes papillon et le chauffe-eau en ligne soient bien serrés. Ne pas trop serrer.

Renseignements importants sur le produit (cont.)

Pièces assemblées en usine

Les composants installés en usine comprennent la pompe, les capteurs de niveau d'eau, le chauffe-eau en ligne, les lumières de chromothérapie immergées (en option), contrôle et l'interrupteur. La pompe et la tuyauterie sont assemblées en usine.

Connexions et accès pour l'entretien

AVIS : Prévoir un accès non restreint de maintenance à la pompe et au chauffe-eau. Prévoir un accès de service non restreint à la pompe, chauffe-eau en ligne, pieds réglables, et boîtier de contrôle. Un panneau d'accès doit être construit pour suffisamment fournir un dégagement pour l'entretien de la pompe, du chauffe-eau en ligne et du boîtier de contrôle. Le panneau d'accès doit être placé tout près de la pompe et du chauffe-eau en ligne. Analyser les informations du plan de raccordement.

Branchements électriques requis

L'installation électrique doit être uniquement raccorder à un disjoncteur coupe-circuit (GFCI) ou à un coupe-circuit de fuite à la terre (ELCB). Le GCFI/ELCB protège contre une électrocution par la mise à la terre. Utiliser une alimentation dédiée de 240-240 V, 20 A, 50/60 Hz pour les contrôles de la pompe. Utiliser une alimentation séparée de 240-240 V, 20 A, 50/60 Hz dédiée au chauffe-eau.

Une borne de mise à la terre est incluse dans le boîtier du câblage. Afin de réduire le risque d'électrocution, raccorder la borne de mise à la terre du panneau du service électrique, avec un câble ayant le même calibre que celui du conducteur qui alimente cet équipement.

Installer l'unité conformément au code électrique Canadien, première partie.

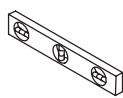
Merci d'avoir choisi la compagnie Kohler

Nous apprécions votre engagement envers la qualité Kohler. Veuillez prendre s'il vous plaît quelques minutes pour lire ce manuel avant de commencer l'installation. Ne pas hésiter à nous contacter en cas de problème d'installation ou de performance. Nos numéros de téléphone et notre adresse du site internet sont au verso. Merci encore d'avoir choisi la compagnie Kohler.

Outils et matériels



Mastic à la silicone



Nivelage 4' (1,2 m)



Mètre ruban



Lunettes de protection



Crayon à papier

- Outils conventionnels de menuiserie et matériels
- Bâche de protection
- 2 x 4 ou 2 x 6

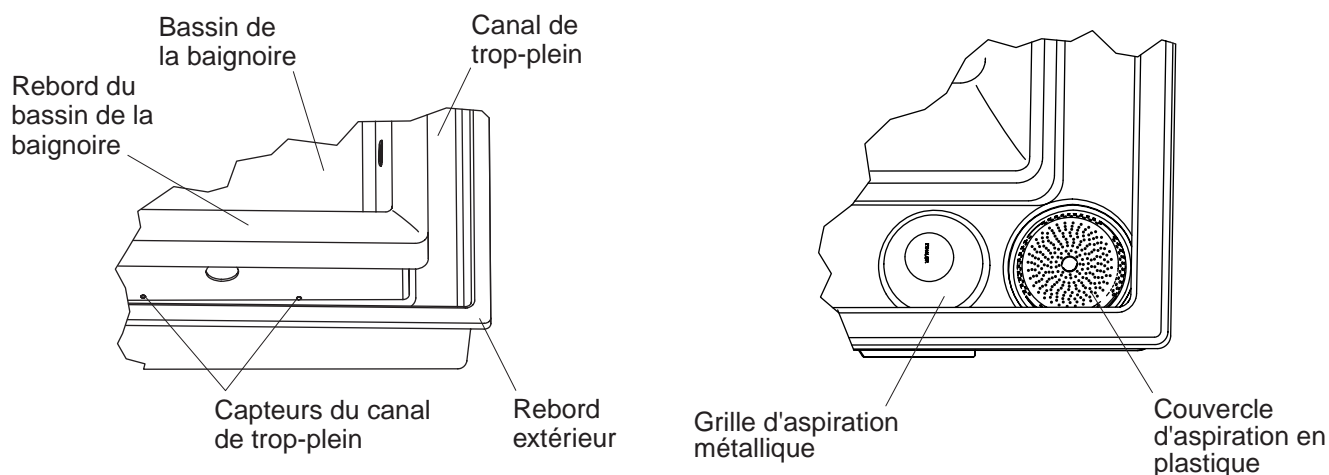
Introduction

Veuillez lire avec attention ces instructions pour se familiariser avec les outils et matériels requis, ainsi que les étapes d'installation. Suivre les étapes qui s'appliquent particulièrement à votre installation. Ceci vous évitera des erreurs coûteuses. Outre les conseils d'installation appropriée, lire toutes les instructions d'utilisation et de sécurité.

Toute l'information dans ce manuel est basée sur la dernière disponible au moment de la publication. Chez Kohler, nous tentons toujours d'améliorer la qualité de nos produits; ainsi nous nous réservons le droit d'apporter des modifications aux caractéristiques des produits, à l'emballage ou à la disponibilité à tout moment et sans préavis.

Avant de commencer

- La baignoire est conçue pour une installation sur podium encastré. Des installations par dessous ou en alcôve sont aussi possibles.
- Cette baignoire doit être installée sur un support adéquat, et sur un sous-sol nivelé.
- Prévoir un cadrage aux dimensions appropriées.
- Choisir un bec verseur de remplissage d'une longueur adéquate et d'espace d'air d'un minimum de 2" (5,1 cm) au-dessus du rebord du bassin de la baignoire déversante. Il est possible qu'il soit nécessaire d'augmenter la hauteur du plan afin d'obtenir un espace d'air adéquat car le rebord extérieur pourrait être plus bas que celui du bassin de la baignoire selon la l'emplacement de celle-ci
- Suivre les codes locaux de plomberie.
- La baignoire doit être remplie par la bassin et non par le canal de trop-plein.
- Si une installation de douche à main sur comptoir est planifiée, l'inverseur reniflard doit conserver un écart anti-retour d'un minimum de 1" (2,5 cm) au-dessus du rebord extérieur.
- Si l'on utilise le bec de baignoire à débit laminaire K-922 ou K-923 avec le récipient d'égouttement K-924, la distance du mur fini à la paroi extérieure du canal de trop-plein ne doit pas excéder 2" (5,1 cm).



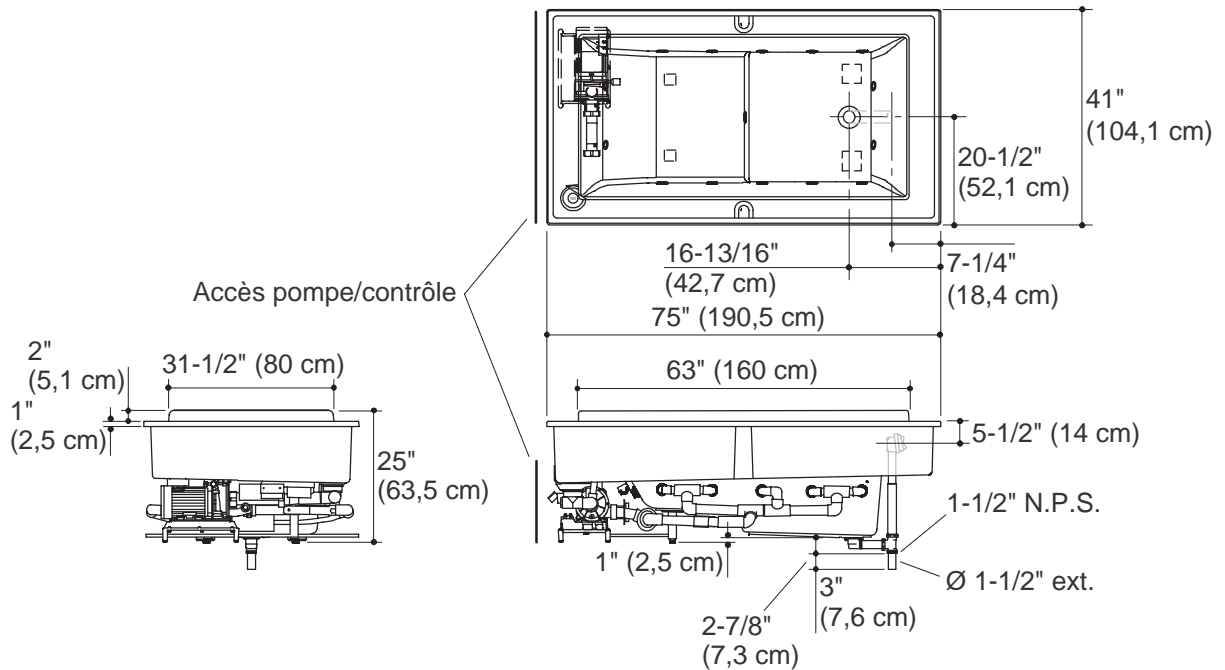
Liste de Mots Nouveaux

- **Cuve de baignoire** -La partie profonde de la baignoire déversante utilisée par la personne.
- **Rebord du bassin de baignoire** -Rebord élevé entre le bassin de la baignoire et le canal de trop plein. L'eau tombera en cascade sur le rebord du bassin de la baignoire et dans le canal de trop plein pendant le fonctionnement.
- **Cavitation** -Lorsque de l'air est conduit dans la pompe au lieu de l'eau au point d'endommager ou stopper la fonction de circulation de la pompe.
- **Clavier de contrôle de la chromothérapie** -Allume et éteint les lumières de chromothérapie (si équipé).
- **Lumières de chromothérapie** -Lumières situées dans le bassin de la baignoire (si équipée) pour améliorer l'expérience de bain.
- **Chauffeau** -Conçu pour aider à maintenir automatiquement la température de l'eau jusqu'à 104° F (40° C) et pour améliorer votre expérience de bain à hydromassage. Le chauffeau s'active automatiquement lorsque la baignoire à hydromassage est en service, et s'éteint lorsque le moteur de la pompe est arrêté.
- **Commande principale** -Cette unité est localisée sous la pompe. Elle fournit, le "cerveau" du système, interprétant tous les signaux émis et reçus.
- **Crépine métallique d'aspiration** -La crépine métallique amovible située sur le couvercle d'aspiration dans le canal de trop plein. La crépine d'aspiration doit toujours être propre et à sa place pendant le fonctionnement de la baignoire pour éviter que les débris ne rentrent dans la prise d'eau et provoquer la cavitation et le mauvais fonctionnement.
- **Rebord extérieur** -Rebord le long de l'extérieur de la baignoire.
- **Canal de trop-plein** -Canal de trop plein qui collecte l'eau autour du bassin de la baignoire. Le canal du trop plein collecte l'eau du trop plein durant l'opération normale, et l'eau est ensuite dirigée vers le système et remise en circulation.
- **Capteurs du canal de trop plein** - Les deux capteurs sont situés dans la paroi du canal de trop plein au-dessous du rebord du trop-plein. Ces capteurs protègent le fonctionnement de la pompe lorsque le niveau d'eau est insuffisant, et éteindra automatiquement la pompe si le niveau d'eau descend au-dessous des capteurs. La pompe fonctionnera uniquement lorsque les deux capteurs sont complètement submergés.
- **Interrupteur du contrôle de la pompe** -Met la pompe en marche/arrêt.
- **Couvercle d'aspiration en plastique** -La protection plastique attachée au port d'entrée d'eau situé dans le canal de trop plein. Le couvercle d'aspiration doit toujours être installé durant l'utilisation du produit pour assurer la sécurité.

Liste de Mots Nouveaux (cont.)

- **Pompe** -La pompe circule l'eau.
- **Harnais de câblage** -Le harnais du câblage connecte tout les composants périphérique alimentés (valves, pompe, chauffe-eau, interrupteurs, lumières) à la commande principale.

Aucun changement de mesures nécessaires si connecté au drain illustré. (K-7193 or K-7193M)
 Découpe 73-1/2" (186,7 cm) W x 39-1/2" (100,3 cm) H

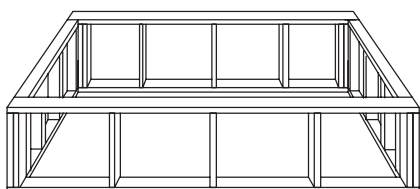


1. Information du raccordement

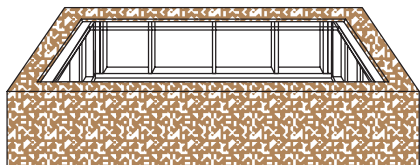
AVIS : Le support de plancher sous la baignoire doit pouvoir soutenir un poids minimal de 2000 lbs. (907,2 kg).

- Deux lignes séparées de 240 V sont nécessaires: une pour la pompe/contrôle, et une pour le chauffe-eau.
- Consulter les codes locaux et nationaux pour les exigences d'espace d'air minimum lors de l'installation d'un bec sur le comptoir du robinet.
- La baignoire à déversement doit être remplie par le bassin.
- Le tuyau fournissant l'eau chaude doit être d'une capacité de 70% ou plus.
- L'unité est conforme à la norme standard ANSI Z124.1. Toutes dimensions sont nominales.
- Il n'y a pas de changement de mesures si connecté au drain illustré (K-193, K-7193M).
- Découpe = 73-1/2" (186,7 cm) x 39-1/2" (100,3 cm)
- Un panneau d'accès est requis. Les dimensions recommandées pour le panneau d'accès sont de 40" (101,6 cm) Largeur x 15" (38,1 cm) Hauteur. Se reporter au plan de raccordement pour repérer les emplacements recommandés.
- S'assurer que le sol soit en bonne condition et offre un support adéquat pour la baignoire.

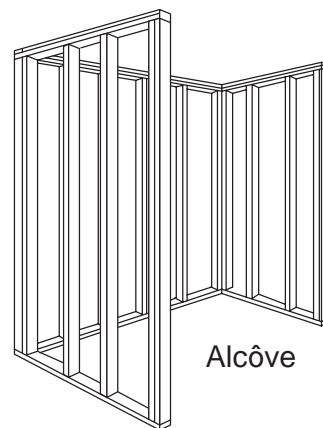
IMPORTANT ! S'assurer que le sol soit plat et nivelé. Ceci minimisera les réglages nécessaires de mise à niveau pour une bonne performance de l'unité.



Comptoir



Sous comptoir

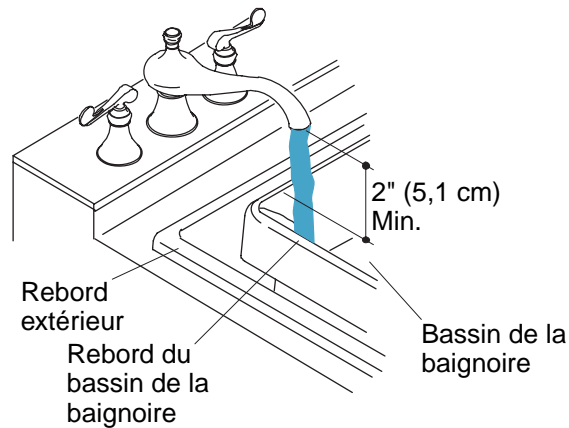


Alcôve

2. Construire le montant du cadre

AVIS : Prévoir un accès de service non restreint à la pompe, chauffe-eau en ligne, pieds réglables, et boîtier de contrôle. Un panneau d'accès doit être construit pour suffisamment fournir un dégagement pour l'entretien de la pompe, du chauffe-eau en ligne et du boîtier de contrôle.

- Construire un cadre sur mesure pour votre installation. La baignoire à déversement peut être installée sur un plancher, podium, encastrée ou dans une alcôve.
- Cadrer le sol, ou construire un cadre pour une installation sur podium, selon le plan de raccordement.
- Lors de la construction du cadre, prévoir l'épaisseur du plancher et des matériaux du plan.
- Le cadre devrait être de 2x4.
- Pour une installation par dessous, prévoir l'épaisseur du plancher et des matériaux du plan, et prévoir un support en conséquence.
- Ne pas soulever la baignoire par le rebord.
- Lors de la planification du cadrage, prendre en compte les 2" (5,1 cm) d'espace d'air entre l'extrémité du bec de remplissage et le rebord supérieur de la baignoire. Prendre en compte l'épaisseur du matériau du plancher, et construire le cadre et le plancher en gardant en tête l'espace d'air minimum.



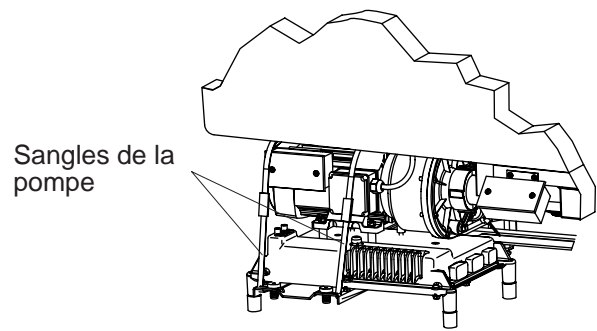
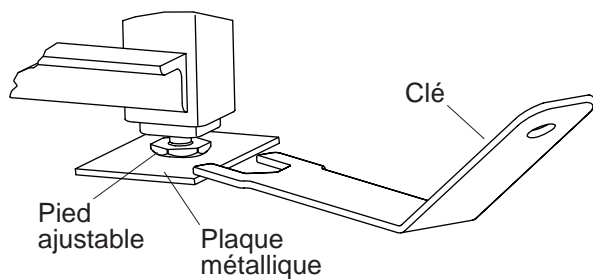
3. Installer la plomberie de raccordement

IMPORTANT ! Choisir un bec de remplissage avec 2" (5,1 cm) d'espace d'air au-dessus du rebord du bassin de la baignoire déversante. Si une installation de douchette est envisagée, le reniflard inverseur doit maintenir un écart minimum de 1" (2,5 cm) au-dessus du rebord extérieur de la baignoire.

- Positionner la plomberie. Positionner le bec de remplissage de façon à ce qu'il dépasse du rebord extérieur et du rebord du bassin de la baignoire. **L'eau provenant du bec de remplissage doit s'écouler directement dans le bassin de la baignoire pour remplir celle-ci.** La baignoire à déversement devrait jamais être remplie en dirigeant l'eau vers le canal de trop-plein.
- Boucher les alimentations et vérifier s'il y a des fuites.

4. Préparer l'unité

- Déballer avec précaution la baignoire à déversement.
- Identifier la boîte située dans le canal du trop plein. Cette boîte contient la crépine d'aspiration métallique et doit être gardée pour être utilisée avec ce produit.
- Installer le drain conformément aux instructions du fabricant. Ne pas connecter le siphon à ce moment.
- Positionner un linge propre ou matière similaire à la base de la baignoire. Faire attention de ne pas rayer la surface de la baignoire déversante.



5. Positionner l'unité

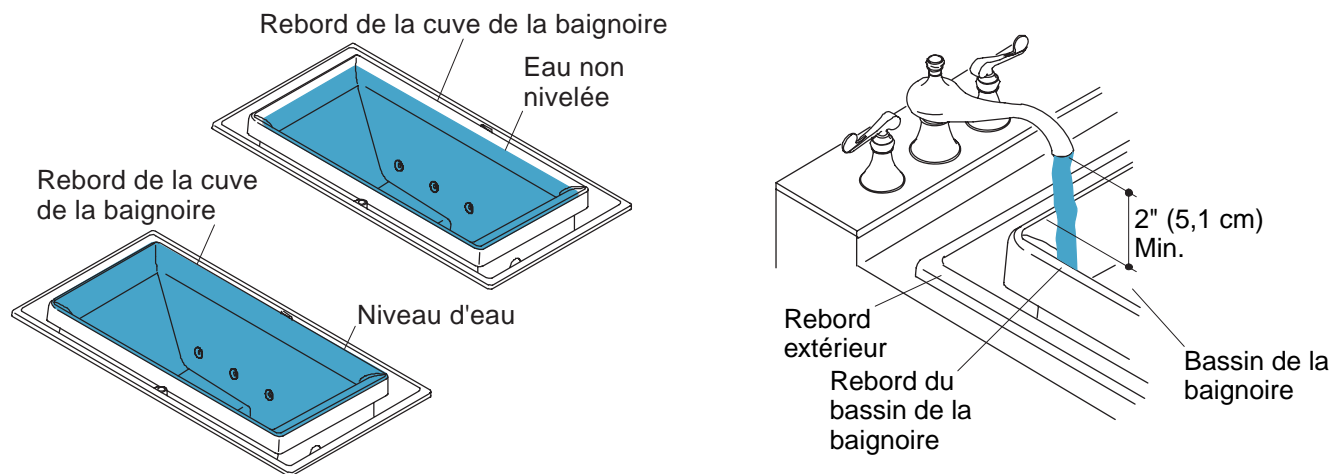
⚠ ATTENTION : Risque d'endommagement du produit. Ne pas soulever ou supporter l'unité par la pompe ou la tuyauterie.

REMARQUE : Ne pas utiliser d'adhésifs, ciment ou mortier pour sécuriser le produit au sol.

- Avec de l'aide, positionner la baignoire déversante à sa place. L'utilisation de plaques métalliques sous les pieds ajustables est recommandée et facilitera le nivelage de la baignoire.

REMARQUE : Si vous n'avez pas un niveau de 4' (1,2 m), se reporter à la section suivante.

- Nivelier en pivotant les pieds ajustables vers le haut et le bas avec la clé de 7/8" attachée au harnais près de la pompe. S'assurer que les quatre pieds ajustables reposent directement sur le plancher et que le rebord du bassin de la baignoire soit de nivelé.
- Quand la baignoire à déversement est nivelée, ajuster le pied de levage situé sous la pompe. Pivoter le pied jusqu'à ce qu'il touche le plancher. Utiliser un niveau précis de 4' (1,2 m), si possible. Prendre le temps nécessaire pour niveler la baignoire à déversement à ce stade réduit le besoin de réglages plus tard en cours d'installation.
- Couper et jeter les sangles de retenue de la pompe.
- S'assurer que les pieds d'isolation en caoutchouc soient en place.
- Insérer la pièce de raccordement du drain dans le siphon.



6. Nivellement de la baignoire à déversement (sans niveau)

AVIS : L'alimentation électrique n'est pas nécessaire pour les procédures de nivelage suivantes.

- Introduire la pièce de raccordement dans le siphon et y raccorder le drain selon les instructions du fabricant.
- Fermer le drain et boucher ou couvrir le couvercle d'aspiration pour créer une étanchéité temporaire.
- Remplir d'eau fraîche le bassin de la baignoire à l'aide d'un flexible jusqu'au rebord.
- Observer le niveau d'eau par rapport au rebord du bassin de la baignoire, puis pivoter les pieds réglables vers le haut ou le bas avec la clé fournie, jusqu'à obtenir un niveau d'eau uniforme sur chacun des quatre coins.
- Ouvrir le drain et retirer le couvercle d'aspiration pour évacuer l'eau du bassin de la baignoire.

IMPORTANT ! Prévoir suffisamment d'accès aux quatre pieds réglables jusqu'à effectuer un essai de fonctionnement de la baignoire.

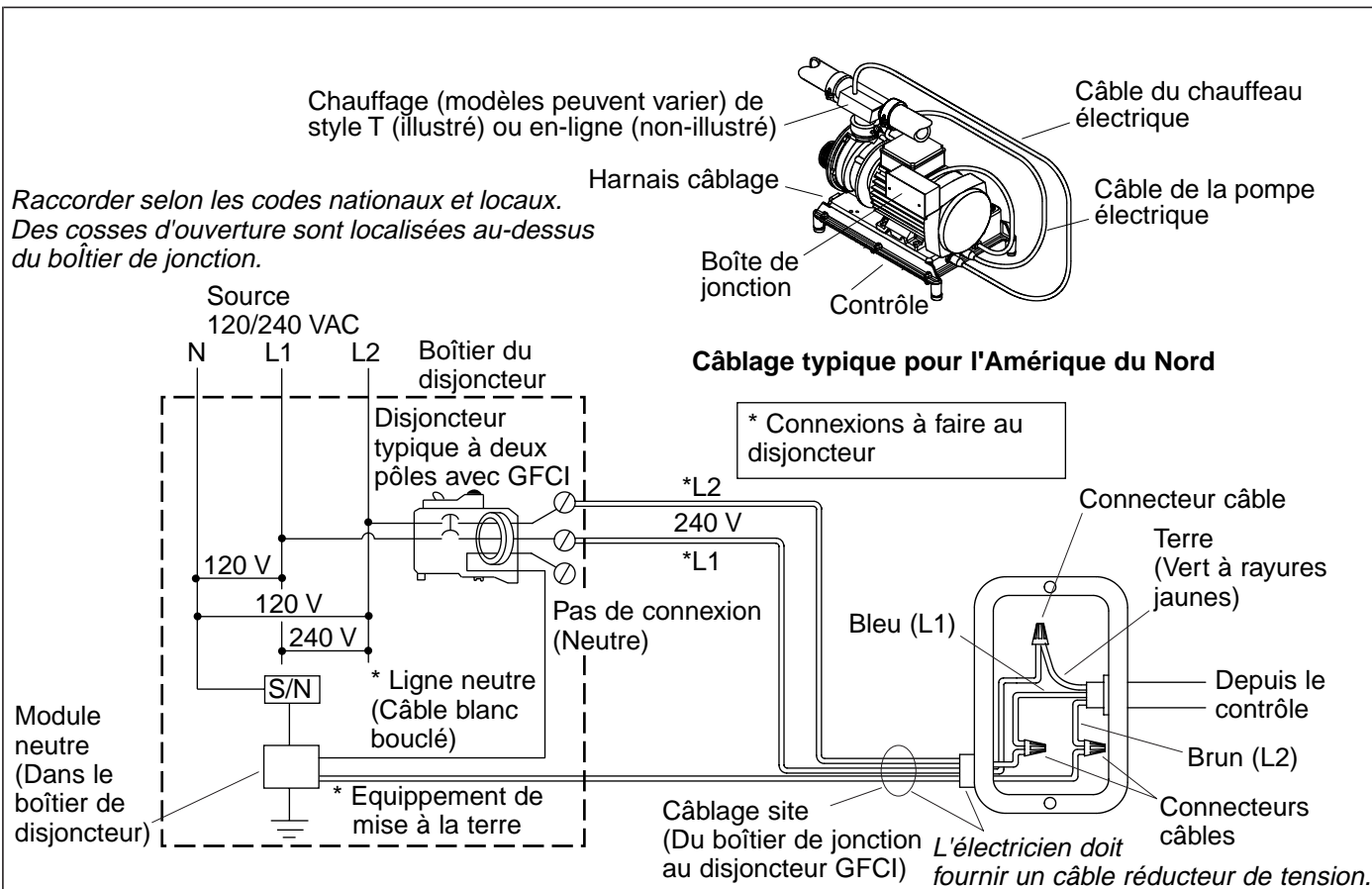
7. Installer la plomberie

ATTENTION : Risque d'endommagement du matériel. Assurer un joint étanche sur les connexions de drain.

IMPORTANT ! Choisir un bec de remplissage qui permettra suffisamment de dégagement au-dessus du rebord du bassin de la baignoire. Il sera peut-être nécessaire de hausser la construction du comptoir afin d'obtenir un espacement adéquat d'air parce que le rebord extérieur pourrait être plus bas que celui du bassin de la baignoire. En plus, si un montage mural de douchette est envisagé, le reniflard inverseur doit maintenir un espacement d'air d'un minimum de 1" (2,5 cm) au-dessus du rebord extérieur.

REMARQUE : Un panneau d'accès facilitera une maintenance future.

- Si cela n'a pas déjà été fait, raccorder le drain au siphon selon les instructions du fabricant.
- Installer les valves du robinet conformément aux instructions du fabricant. Ne pas installer la garniture du robinet avant l'instruction de le faire.
- S'assurer que toutes les vannes papillon et les connexions d'alimentation soient bien serrées.
- Ouvrir les alimentations d'eau chaude et froide et vérifier qu'il n'y ait pas de fuites.
- Laisser couler l'eau dans la baignoire et vérifier s'il y a des fuites dans les connexions du drain.



8. Faire les connexions électriques

REMARQUE : Le numéro de modèle du produit est imprimé sur une étiquette placée du côté de la pompe de la baignoire à déversement. Cette étiquette identifie aussi les caractéristiques électriques du produit. Toutes les baignoires à hydromassage sont équipées d'une boîte de jonction et sont conçues pour opérer entre 208 VAC et 240 VAC soit à 50 HZ ou 60 Hz.

AVERTISSEMENT : Risque d'électrocution. S'assurer que l'alimentation ait été débranchée avant d'effectuer les procédures suivantes. Se référer à la section "Information Importante".

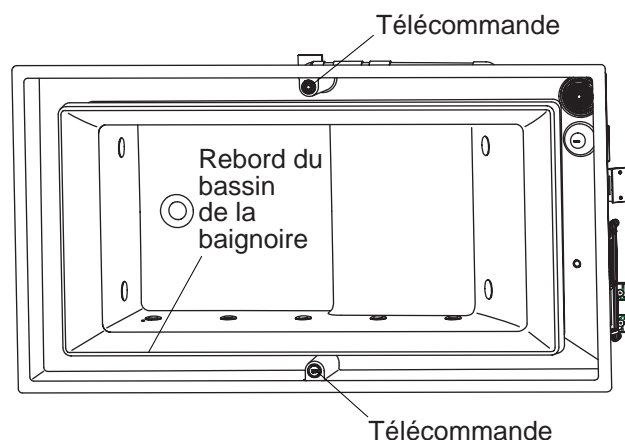
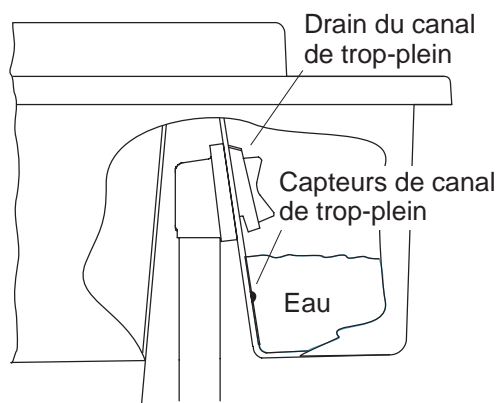
AVERTISSEMENT : Risque d'électrocution. Pour réduire les risques d'électrocution, connecter proprement la pompe à un disjoncteur coupe-circuit (GFCI) ou à un coupe-circuit de fuite à la terre (ELCB). Ceci fournira une mesure de protection additionnelle contre le risque d'électrocution. Un circuit dédié de 208-240 V, 20 A, 50/60Hz. est nécessaire.

IMPORTANT ! Le neutre n'est pas utilisé. Il ne devrait pas y avoir de connexion au neutre du disjoncteur coupe-circuit (GFCI). Le câble vert à rayure jaune est le **conducteur de terre** et doit être connecté au neutre de la boîte du disjoncteur.

- Le contrôle et le système de la baignoire à débordement ont été pré-câblés en usine. Un électricien agréé devrait faire la connexion de routine à la boîte de jonction.
- Connecter le service au boîtier de jonction. La boîte de jonction contient des câbles bleus, marrons et verts à rayures.
- Suivre tous les codes électriques locaux. Raccorder selon les codes nationaux et locaux.
- Un harnais a été pré-câblé en usine, permettant la communication entre le clavier, toutes les caractéristiques, et le contrôle. Aucun câblage supplémentaire n'est nécessaire, mais s'assurer que tous les câbles soient bien sécurisés.

Faire les connexions électriques (cont.)

REMARQUE : Votre harnais de câblage comprend une antenne pour la télécommande optionnelle. Ne pas modifier ni endommager cette antenne pendant l'installation.



9. Tester le fonctionnement de la baignoire à déversement

- Contrôler toutes les connexions électriques, et s'assurer que l'alimentation électrique soit en marche.
- S'assurer que toutes les connexions à la pompe, les vannes papillon et le chauffe-eau en ligne soient bien serrés à la main. S'assurer que le bassin de la baignoire et le canal de trop-plein soient propres et exempts de débris.
- Positionner la grille d'aspiration métallique sur le couvercle d'aspiration en plastique (voir l'illustration, à la page précédente). La pompe pourrait caviter si la crépine métallique n'est pas mise en place.
- Remplir le bassin de la baignoire à déversement de manière à ce que l'eau déborde par le bord et s'écoule dans le canal de trop-plein. Remplir le bassin de la baignoire jusqu'à ce que les capteurs du canal de déversement soient complètement sous l'eau et que le niveau d'eau ait atteint le trop-plein de drain.
- S'assurer que la lumière verte de l'interrupteur de commande clignote automatiquement environ 30 secondes après que les capteurs du canal de débordement soient complètement submergés.

10. Tester l'interrupteur de contrôle

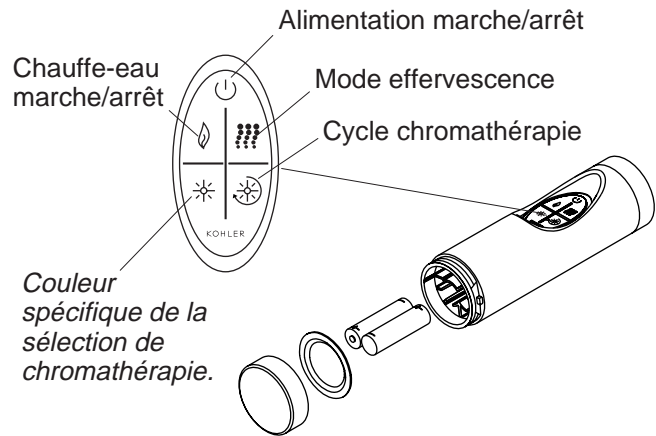
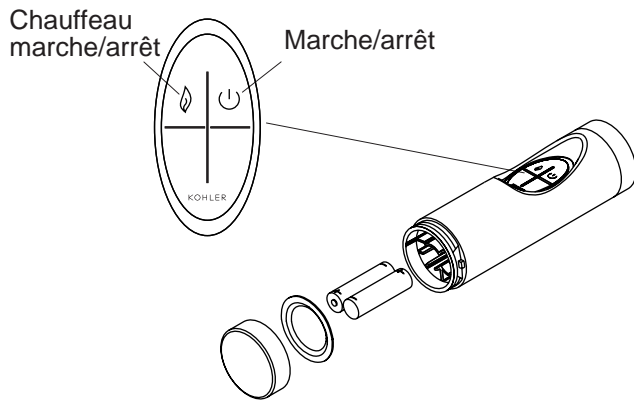
- Appuyer sur l'interrupteur de commande de la pompe pour activer la pompe/moteur et commencer le cycle d'hydrothérapie. Quand le moteur de pompe s'active et l'eau commence à circuler, la lumière deviendra verte, et le restera pendant tout le fonctionnement de la baignoire à déversement.
- Pendant que l'unité soit en marche, vérifier s'il y a des fuites dans les raccords de la tuyauterie. S'assurer que la cascade sur le rebord du bassin s'écoule de façon égale aux quatre côtés.
- Des mises à niveau ultérieures ne seront pas nécessaires si la cascade s'écoule pas de façon uniforme.
- Si une mise à niveau supplémentaire est nécessaire, maintenir la baignoire à déversement en marche et pivoter les pieds réglables vers le haut ou le bas avec la clé de 7/8" fournie. S'assurer que l'unité repose sur les quatre pieds réglables.
- Vérifier que les lumières chromatiques fonctionnent. Appuyer sur l'interrupteur des lumières chromatiques (situé directement du côté opposé à la baignoire) pour allumer les lumières. Au démarrage, les lumières devraient se mettre en cycle de couleurs. Appuyer sur l'interrupteur de contrôle des lumières une deuxième fois. Le cycle de lumières devrait s'arrêter et rester à la même couleur. Presser l'interrupteur des lumières une deuxième fois pour éteindre les lumières.
- Vérifier encore une fois s'il y a des fuites dans les raccords de tuyauterie.

Tester l'interrupteur de contrôle (cont.)

- Appuyer sur l'interrupteur de la pompe encore une fois pour arrêter la baignoire. La lumière verte de l'interrupteur de la pompe clignotera alors automatiquement (après environ 30 secondes) jusqu'à ce que la baignoire à déversement soit vidée ou remise en marche.

REMARQUE : Pour plus d'information concernant le fonctionnement de la baignoire, consulter la section "Utilisation de la baignoire à déversement".

IMPORTANT ! Prévoir suffisamment d'accès aux quatre pieds réglables jusqu'à la finition des tests.



11. Tester l'interrupteur de contrôle

REMARQUE : Il y a deux types de télécommandes disponibles: une basique et une avec contrôle de lumières chromatiques et d'effervescence. Déterminer quel type de télécommande vous avez et suivre les étapes d'installation correspondantes.

REMARQUE : Votre télécommande nécessite deux piles AAA. Pour les installer ou les remplacer, retirer simplement la base de la télécommande.

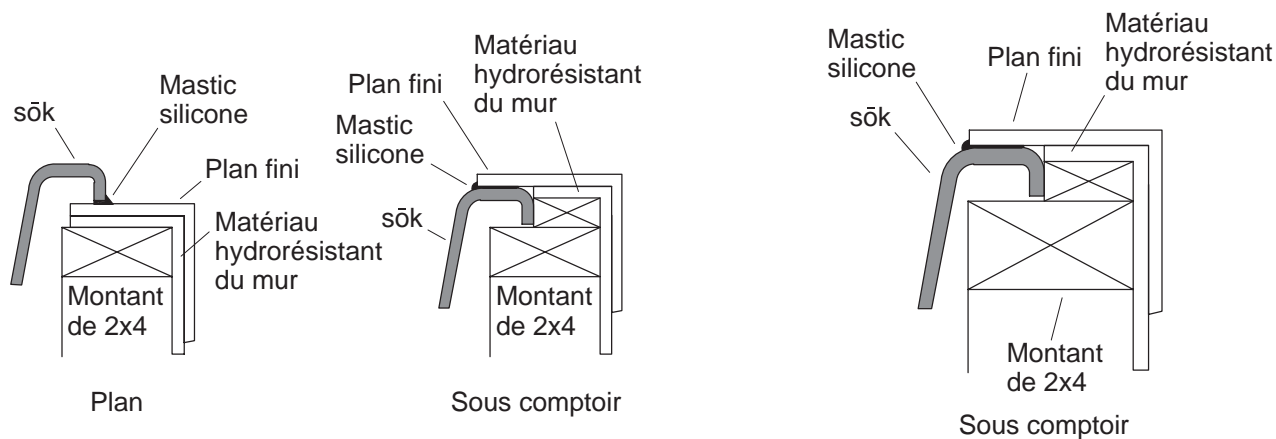
La baignoire à déversement est équipée d'une télécommande étanche.

Pour mettre la pompe et les lumières chromatiques en marche et arrêt, appuyer sur le bouton d'alimentation.

Pour réchauffer l'eau dans la baignoire à déversement, mettre le chauffe-eau en marche en pressant sur l'icône chauffage (par défaut le chauffage est en position "On" quand la pompe est en marche). Appuyer sur l'icône de chauffage une deuxième fois pour l'arrêter. Le chauffe-eau ne fonctionnera pas si la pompe est arrêtée. Si le chauffe-eau est en marche, l'interrupteur deviendra vert foncé. Si le chauffe-eau est en arrêt, l'interrupteur deviendra jaune-vert.

Pour cycler les lumières de chromathérapie à travers le spectre de couleurs, presser sur l'icône du cycle de chromathérapie.

Pour verrouiller une couleur de chromathérapie individuelle, appuyer sur l'icône de couleur de chromathérapie correspondante.



12. Compléter le mur fini ou le comptoir.

AVIS : Prévoir un accès de service non restreint à la pompe, chauffe-eau en ligne, pieds réglables, et boîtier de contrôle. Un panneau d'accès doit être construit pour suffisamment fournir un dégagement pour l'entretien de la pompe, du chauffe-eau en ligne et du boîtier de contrôle.

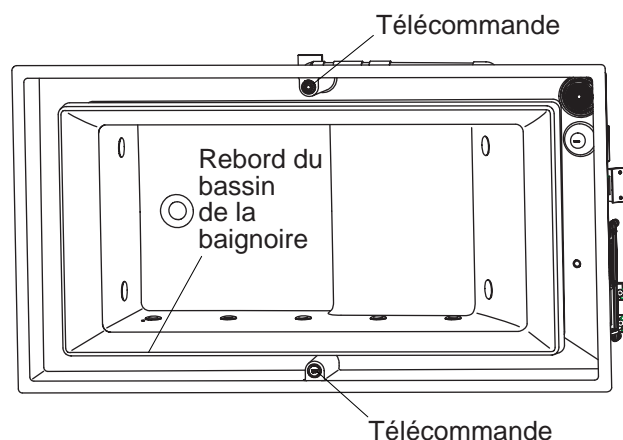
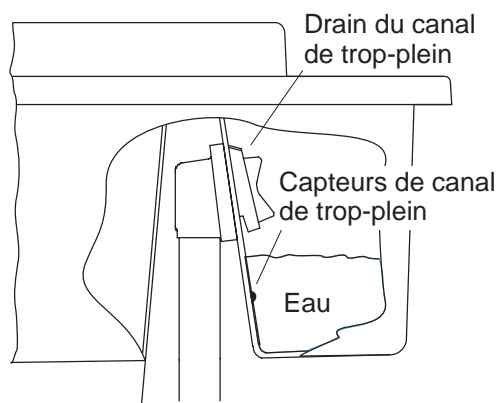
- Protéger la surface du produit. Recouvrir le cadrage avec du matériau hydro-résistant.
- Laisser le canal de trop-plein exposé pour permettre l'accès au trop-plein du drain et le nettoyage des surfaces du canal.
- Sceller les joints entre le rebord de la baignoire et le matériau hydro-résistant du mur ou du comptoir à l'aide d'un mastic à la silicone.
- Poser et appliquer le matériau hydro-résistant du mur.
- Installer le mur fini sur le matériau hydro-résistant.
- Fixer les joints entre le rebord du produit et le mur fini à l'aide de mastic à la silicone.

13. Installer la garniture du robinet

- Installer la garniture du robinet suivant les instructions emballées avec celle-ci.

14. Nettoyage après installation

- Lors du nettoyage après l'installation, **ne pas utiliser de nettoyeur abrasif**, car ils pourraient rayer et abîmer la surface de la baignoire. Utiliser de l'eau tiède et un savon doux pour nettoyer la surface.
- Retirer les taches résistantes, peinture, ou goudron avec de l'essence de térébenthine ou un diluant pour peinture. **Ne pas laisser de liquide à base de pétrole en contact avec les surfaces de la baignoire pour de longues périodes.** Retirer les résidus de plâtre en raclant au moyen d'un bord en bois. Ne pas utiliser de grattoirs en métal, une brosse en fer ou d'autres outils en métal. Utiliser des nettoyeurs en poudre sur un chiffon humide pour une action abrasive douce sur les résidus de plâtre.



15. Utilisation de la baignoire

Remplir la baignoire à débordement

REMARQUE : Veuillez lire avec attention cette section avant de faire fonctionner la baignoire.

- S'assurer que la grille d'aspiration métallique soit propre et correctement placée sur le couvercle d'aspiration en plastique.

REMARQUE : La température de la baignoire ne devrait pas excéder 104° F (40° C), sinon le chauffeau ne fonctionnera pas.

IMPORTANT ! Comme pour toute autre baignoire, éviter de déborder l'eau de l'unité en entrant dans le bassin lentement. Cela permettra au système d'évacuer correctement tout excès d'eau.

- Remplir l'unité avec de l'eau de façon à ce que le bassin déborde dans le canal de trop-plein vers le drain. Les capteurs du canal devraient être complètement submergés d'eau.
- La lumière verte de l'interrupteur de la pompe clignotera automatiquement 30 secondes après que les capteurs soient submergés pour préciser que la baignoire est prête à l'utilisation.

Séquence d'opération

- Appuyer sur l'interrupteur de contrôle pour activer la pompe/moteur et commencer l'opération.
- Quand le moteur de la pompe s'active et l'eau commence à couler, la lumière du voyant de la pompe deviendra verte foncée, et le restera pendant tout le fonctionnement de la baignoire à déversement.
- S'assurer que la lampe témoin du chauffeau soit allumée pendant le fonctionnement de la baignoire à déversement. La lampe témoin est située en-dessous du boîtier du chauffeau, près du plancher à l'extrémité côté pompe de la baignoire à déversement. Si la lampe est éteinte pendant le fonctionnement de la baignoire à déversement, essayer et réinitialiser le bouton de la remise en circuit GFCI/ELCB.
- Appuyer sur l'interrupteur de la pompe une deuxième fois pour arrêter la baignoire. La lumière verte de l'interrupteur de la pompe clignotera automatiquement pendant approximativement 30 secondes jusqu'à ce que la baignoire soit vidée sous les capteurs ou redémarrée.

REMARQUE : Une minuterie intégrée arrêtera automatiquement la baignoire après environ 20 minutes de fonctionnement.

- Appuyer sur l'interrupteur de la pompe/moteur une deuxième fois pour activer et commencer l'opération.

Utilisation de la baignoire (cont.)

- Presser l'interrupteur de commande "On/Off" pour activer la pompe/moteur et commencer l'opération.
- Une lumière orange dans l'interrupteur de contrôle "marche/arrêt" s'allumera temporairement pour indiquer le début du mode de fonctionnement.
- Quand le moteur de la pompe s'active et l'eau commence à couler, la lumière deviendra verte et ne changera pas pendant toute la durée de fonctionnement.
- S'assurer que la lampe témoin du chauffeau soit allumée pendant le fonctionnement de la baignoire à déversement. La lampe témoin est située en-dessous du boîtier du chauffeau, près du plancher à l'extrémité côté pompe de la baignoire à déversement. Si la lampe est éteinte pendant le fonctionnement de la baignoire à déversement, presser le bouton de remise en circuit, à droite de la lampe témoin sur le boîtier du chauffeau.
- Appuyer sur l'interrupteur de contrôle "Marche/Arrêt" une deuxième fois pour arrêter la baignoire à déversement. La lumière orange dans l'interrupteur de contrôle "Marche/Arrêt" s'allumera temporairement pour indiquer la fin du mode de fonctionnement. La lumière verte de l'interrupteur de commande "Marche/Arrêt" clignotera jusqu'à ce que l'eau de l'unité soit évacuée ou bien redémarrée.

REMARQUE : Une minuterie intégrée arrêtera automatiquement la baignoire après environ 20 minutes de fonctionnement.

16. Fonctionnement de la lumière de chromathérapie

REMARQUE : Ces directions sont uniquement relatives à l'utilisation du clavier de contrôle monté. Pour plus d'information, voir la section "Tester la télécommande".

Si les lumières de chromathérapie sont éteintes, appuyer sur le bouton du tableau de commande (situé à l'opposé de la baignoire à déversement) Les lumières de chromathérapie commenceront le cycle de chaque couleur (mode balayage).

Quand les lumières de chromathérapie sont en mode balayage, il est possible de sélectionner et verrouiller une couleur en pressant le bouton de contrôle.

Quand une couleur est choisie, presser le bouton pour éteindre les lumières de chromathérapie.

Procédures de dépannage

Tableau de dépannage

Pour une réparation sous garantie, contacter le vendeur ou distributeur. Ce guide de dépannage est destiné à une aide générale uniquement. Contacter un technicien agréé Kohler ou un électricien qualifié pour réparer tout problème électrique. Pour une réparation sous garantie, contacter le vendeur ou distributeur.

Symptômes	Causes probables	Action recommandée
1. La lumière verte de l'interrupteur de contrôle "Marche/Arrêt" s'active avant que le bassin de la baignoire ne soit plein d'eau.	A. Le bec verse l'eau directement dans le canal de trop-plein. B. Une ou les deux valves papillon ne fonctionnent pas.	A. Régler/réinstaller le bec pour écouler l'eau directement dans le bassin de la baignoire. Contacter l'installateur/vendeur. B. Vérifier le câblage de valves papillon ou remplacer celles-ci. Contacter l'installateur/vendeur.

Procédures de dépannage (cont.)

Symptômes	Causes probables	Action recommandée
	C. Le contrôle ne fonctionne pas.	C. Vérifier le câblage ou remplacer le contrôle. Contacter l'installateur/vendeur.
2. Le produit ne démarre pas.	<p>A. Pas d'alimentation à l'unité.</p> <p>B. L'eau ne couvre pas les capteurs de canal de trop-plein.</p> <p>C. L'interrupteur "Marche/Arrêt" ne s'allume pas quand l'unité est activée ou remplie tel que requis.</p> <p>D. La pompe/moteur ne fonctionne pas.</p> <p>E. Le contrôle ne fonctionne pas.</p>	<p>A. Alimenter l'unité ou corriger la perte de courant. Contacter l'installateur/vendeur.</p> <p>B. Remplir le bassin de manière à ce que l'eau circule par dessus le rebord du bassin dans le canal de trop-plein, et submerge les capteurs. Le niveau de remplissage conseillé est jusqu'au trop-plein du drain.</p> <p>C. Vérifier le câblage ou remplacer l'interrupteur de contrôle "Marche/Arrêt". Contacter l'installateur/vendeur.</p> <p>D. Reconstruire ou remplacer la pompe/moteur. Contacter l'installateur/vendeur.</p> <p>E. Vérifier le câblage ou remplacer le contrôle. Contacter l'installateur/vendeur.</p>
3. L'eau ne tombe pas en cascade de façon égale sur le rebord du bassin de la baignoire.	<p>A. L'unité n'est pas nivelée.</p> <p>B. Les orifices du bassin sont bloqués.</p> <p>C. La crépine d'aspiration métallique est bloquée.</p>	<p>A. Nivelier l'unité avec la clé fournie en pivotant les pieds réglables vers le haut ou le bas selon le besoin.</p> <p>B. Retirer le blocage.</p> <p>C. Nettoyer la crépine d'aspiration métallique.</p>
4. L'unité s'arrête automatiquement avant 18 minutes.	<p>A. Le GFCI se déclenche.</p> <p>B. Moteur surchauffé et système de protection activé.</p>	<p>A. Identifier la source du problème puis y remédier. Contacter l'installateur/vendeur.</p> <p>B. Vérifier s'il y a blocage du ventilateur du moteur. Laisser refroidir le moteur, puis retirer l'obstruction. S'assurer que la crépine d'aspiration métallique ne soit pas bloquée, puis laisser refroidir avant de relancer le moteur. Vérifier qu'il n'y ait pas d'obstruction dans les orifices du bassin. Retirer le blocage, puis laisser refroidir le moteur avant de le relancer.</p>

Procédures de dépannage (cont.)

Symptômes	Causes probables	Action recommandée
	<p>C. Le niveau d'eau descend en-dessous des capteurs du canal de trop-plein pendant le fonctionnement (Le voyant "jaune" de la pompe clignote)</p>	<p>C. Remplir le bassin de manière à ce que l'eau circule par dessus le rebord du bassin dans le canal de trop-plein, et submerge les capteurs. Le niveau de remplissage conseillé est jusqu'au trop-plein du drain. S'assurer que le drain de la baignoire soit bien étanche.</p>
<p>5. Fonctionnement bruyant.</p>	<p>A. La crépine d'aspiration métallique n'est pas à sa place sur le couvercle d'aspiration en plastique.</p> <p>B. Le niveau d'eau est insuffisant dans le canal de trop-plein.</p> <p>C. La pompe/moteur est bruyante.</p>	<p>A. Positionner la crépine d'aspiration métallique sur le couvercle d'aspiration en plastique pour éviter la cavitation.</p> <p>B. Remplir le bassin de manière à ce que l'eau circule par dessus le rebord du bassin dans le canal de trop-plein, et submerge les capteurs. Le niveau de remplissage conseillé est jusqu'au trop-plein du drain. S'assurer que le drain de la baignoire soit bien étanche.</p> <p>C. S'assurer que les sangles qui retiennent la pompe/moteur ont été sectionnés.</p>
<p>6. La température de l'eau baisse considérablement dans les 20 minutes de fonctionnement.</p>	<p>A. L'interrupteur de la chaleur maximum est déclenché. La lumière indicatrice devrait être allumée pendant le fonctionnement.</p> <p>B. Le chauffe ne fonctionne pas.</p>	<p>A. Réinitialiser le disjoncteur différentiel GFCI/ELCB.</p> <p>B. Vérifier le câblage ou remplacer le chauffe. Contacter l'installateur/vendeur.</p>
<p>7. Les lumières de chromothérapie ne fonctionnent pas.</p>	<p>A. Harnais de câblage électrique endommagé.</p> <p>B. Le contrôle ne fonctionne pas.</p>	<p>A. Vérifier le câblage ou remplacer le contrôle. Contacter l'installateur/vendeur.</p> <p>B. Remplacer le harnais de câblage électrique. Contacter l'installateur/vendeur.</p>
<p>8. La télécommande ne fonctionne pas</p>	<p>A. Les piles sont mal installées ou épuisées.</p> <p>B. Le contrôle ne fonctionne pas.</p>	<p>A. Remplacer les piles.</p> <p>B. Remplacer le harnais de câblage électrique. Contacter l'installateur/vendeur.</p>

Procédures de dépannage (cont.)

Symptômes	Causes probables	Action recommandée
9. L'eau n'atteint pas le rebord de la baignoire pendant le remplissage.	<p>C. La télécommande n'est pas correctement programmée.</p> <p>D. Télécommande défectueuse.</p> <p>E. Contrôle défectueux.</p> <p>A. Pas d'alimentation à l'unité.</p> <p>B. Câbles de la sonde de niveau desserrés.</p> <p>C. Valves papillon défectueuses.</p> <p>D. Contrôle défectueux.</p>	<p>C. Consulter le guide du propriétaire ou le manuel de service.</p> <p>D. Remplacer la télécommande.</p> <p>E. Remplacer le contrôle.</p> <p>A. Brancher l'alimentation électrique.</p> <p>B. Vérifier/reconnecter les câbles.</p> <p>C. Vérifier le câblage ou remplacer les valves papillons si nécessaire.</p> <p>D. Remplacer le contrôle.</p>

Guía de instalación

Bañera rebosante

Información importante



ADVERTENCIA: Al usar aparatos eléctricos, siga siempre las precauciones básicas, incluyendo las siguientes:



PELIGRO: Riesgo de descarga eléctrica. Conecte la unidad solamente a un circuito protegido por un interruptor de circuito con pérdida a tierra (GFCI) o un disyuntor de fuga a tierra (ELCB).



ADVERTENCIA: Riesgo de descarga eléctrica. Un electricista calificado debe realizar todas las conexiones eléctricas.



ADVERTENCIA: Riesgo de descarga eléctrica. Desconecte el suministro eléctrico antes de dar mantenimiento.



ADVERTENCIA: Riesgo de lesiones personales o daños a la propiedad. Lea atentamente todas las instrucciones antes de comenzar la instalación, incluyendo los requisitos detallados a continuación.

AVISO: Cumpla con todos los códigos locales de electricidad y de plomería.

Instale la unidad de manera que se permita el acceso para el mantenimiento.

Se ha incluido un cable conductor verde con raya amarilla en el compartimento de cables. Para reducir el riesgo de descarga eléctrica, conecte el cable al terminal de tierra de su servicio eléctrico o panel de suministro con un cable de cobre del mismo tamaño que los conductores del circuito que alimentan este equipo.

En el exterior de la bomba o control de esta unidad se incluye un conector de presión para permitir la conexión de un conductor de puesta a tierra entre esta unidad y el metal expuesto en las proximidades, tal como lo requieran las normas locales.

La conexión a tierra es un requisito. Un representante de servicio autorizado debe instalar esta unidad y conectarla a tierra.

El material de construcción y el cableado se deben colocar lejos del cuerpo de la bomba y de otros componentes que produzcan calor.

Información importante sobre el producto

Avisos sobre el producto



ADVERTENCIA: Las modificaciones no autorizadas pueden causar el funcionamiento peligroso y el bajo rendimiento de la bañera. No cambie la ubicación de la bomba, ni haga otras modificaciones al sistema, pues esto podría tener un efecto adverso en el rendimiento y en el funcionamiento seguro de su bañera. Kohler Co. no se hace responsable bajo esta garantía o de ninguna otra forma, de las lesiones personales o los daños provocados por modificaciones no autorizadas.

Inspección del producto

Con cuidado saque el producto del embalaje y revise que no tenga daños. Para evitar daños durante la construcción, vuelva a colocar la unidad en el cartón de embalaje.

AVISO: Verifique que las conexiones de unión a la bomba, el calentador en línea y las válvulas de mariposa estén bien apretadas. No apriete demasiado.

Información importante sobre el producto (cont.)

Componentes ensamblados en fábrica

Los componentes instalados en fábrica incluyen la bomba, los sensores de nivel, el calentador en línea, las luces sumergidas de cromoterapia (opcional), el control y el interruptor. La bomba y las tuberías están ensambladas en fábrica.

Acceso a las conexiones y mantenimiento

AVISO: Provea acceso sin restricciones para el mantenimiento de la bomba y el calentador. Provea acceso sin restricciones para el mantenimiento de la bomba, el calentador en línea, las patas ajustables y la caja de control. Se debe construir un panel de acceso que provea suficiente espacio para el mantenimiento de la bomba, del calentador en línea y de la caja de control. El panel de acceso debe colocarse junto a la bomba y el calentador en línea. Revise la información de instalación.

Requisitos eléctricos

La instalación debe incluir dos interruptores de circuito con pérdida a tierra (GFCI) de Clase A o disyuntores de fuga a tierra (ELCB). El GFCI/ELCB protege contra el peligro de descarga eléctrica de línea a tierra. Utilice un circuito dedicado de 240 V, 20 A y 50/60 Hz para los controles de la bomba. Utilice un circuito separado de 240 V, 20 A y 50/60 Hz dedicado para el calentador.

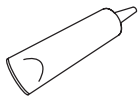
El compartimiento de cables tiene un terminal de conexión a tierra para el equipo. Para reducir el riesgo de descarga eléctrica, se debe conectar el terminal a tierra en el panel de suministro eléctrico, con un conductor del mismo tamaño que los conductores del circuito que alimentan este equipo.

Instale esta unidad conforme al Código Eléctrico Canadiense, Parte I.

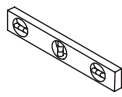
Gracias por elegir los productos de Kohler

Le agradecemos que haya elegido la calidad de Kohler. Dedique unos minutos para leer este manual antes de comenzar la instalación. En caso de problemas de instalación o de funcionamiento, no dude en contactarnos. Nuestros números de teléfono y nuestro sitio web se encuentran en la cubierta posterior de esta guía. Gracias nuevamente por escoger a Kohler.

Herramientas y materiales



Sellador de silicona



Nivel de 4'
(1,2 M)



Cinta para medir



Lentes de seguridad



Lápiz

- Herramientas y materiales convencionales de carpintería
- Lona
- Listones de 2x4 ó 2x6

Introducción

Lea estas instrucciones atentamente para familiarizarse con la secuencia de instalación, las herramientas y los materiales necesarios. Siga las secciones correspondientes a su instalación en particular. Esto le ayudará a evitar errores costosos. Además de una instalación correcta, lea todas las instrucciones de funcionamiento y seguridad.

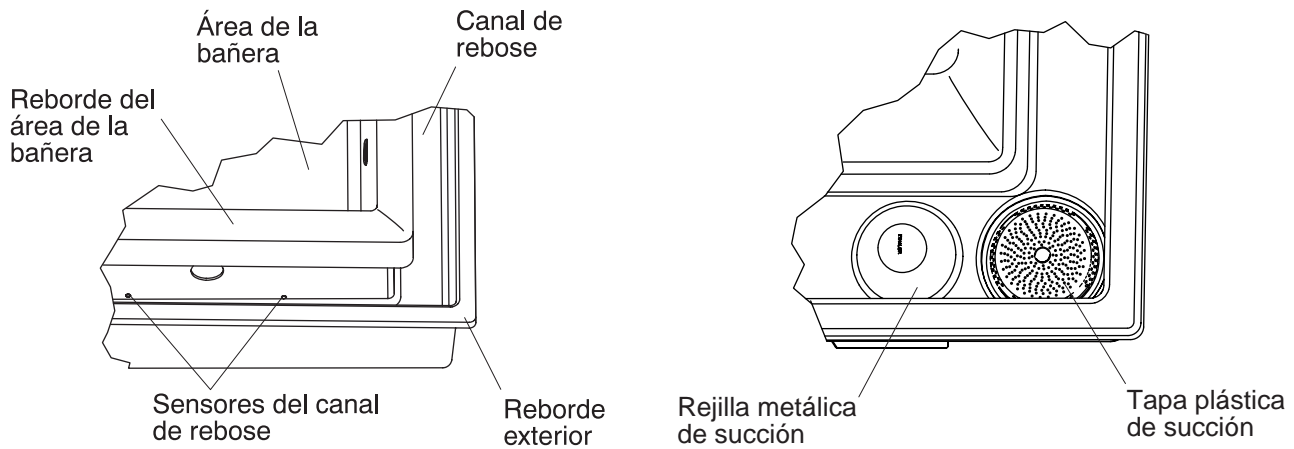
Toda la información contenida en este manual está basada en la información más reciente disponible al momento de su publicación. En Kohler, nos esforzamos constantemente por mejorar nuestros productos. Por ello, Kohler se reserva el derecho de modificar las características del producto, embalaje o disponibilidad en cualquier momento, sin previo aviso.

Antes de comenzar

- Su bañera está diseñada para instalaciones de sobreponer en isla. También es posible instalarla bajo cubierta o encajonada entre tres paredes.
- Es necesario instalar la bañera en un subpiso nivelado y con suficiente soporte.
- Provea una estructura de postes de madera que tenga las dimensiones correctas.
- Elija un surtidor de suficiente alcance que provea un espacio de al menos 2" (5,1 cm) encima del borde de la bañera rebosante. Quizás sea necesario elevar el material de la cubierta para obtener suficiente espacio, pues el borde exterior es en ocasiones más bajo que el borde del área de la bañera, dependiendo del área específica de la bañera.
- Cumpla con todos los códigos locales de plomería.
- La bañera rebosante debe llenarse con agua procedente del área de la bañera, y no del canal de rebose.
- Si desea instalar una ducha de mano de montaje en la cubierta, debe haber un espacio de 1" (2,5 cm) como mínimo entre la válvula rompevacío de desviación y el borde exterior.

Antes de comenzar (cont.)

- Al emplear el surtidor de flujo laminar de bañera K-922 o K-923 con la bandeja de goteo K-924, la distancia desde la pared acabada hasta la pared exterior del canal de rebose no debe exceder los 2" (5,1 cm).



Lista de términos nuevos

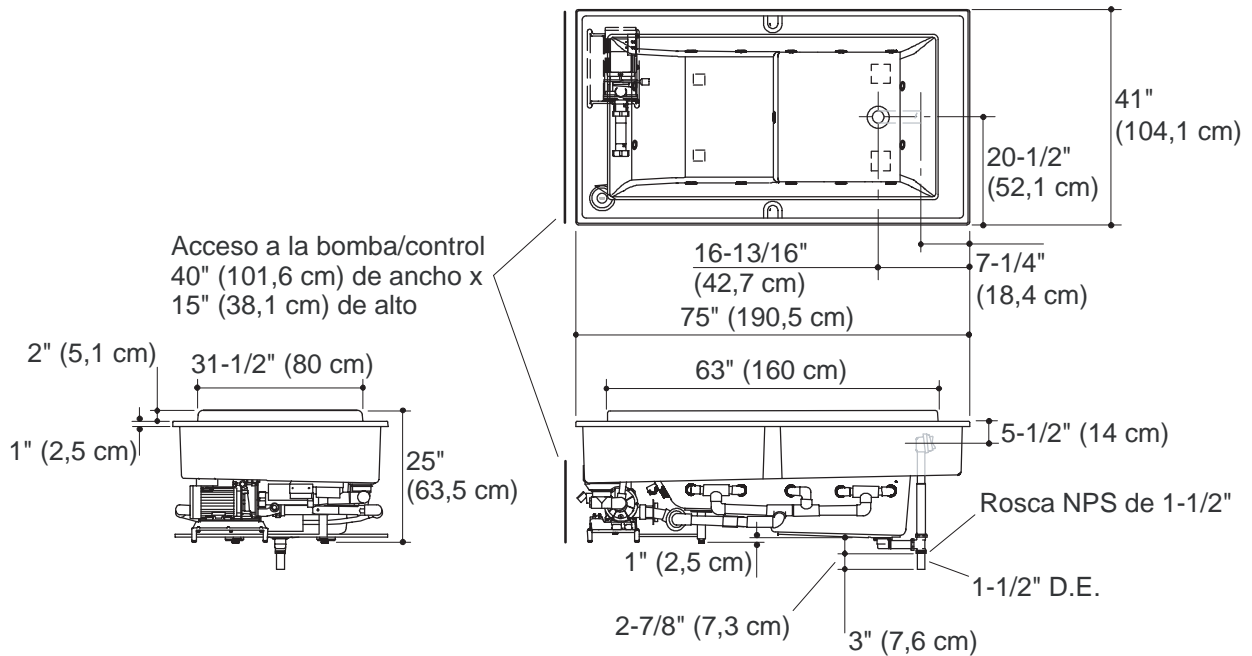
- **Área de la bañera** - La parte profunda de la bañera rebosante empleada por el usuario.
- **Borde del área de la bañera** - El borde alto entre el área de la bañera y el canal de rebose. Durante el funcionamiento, el agua cascadeará uniformemente del borde del área de la bañera y al canal de rebose.
- **Cavitación** - Cuando entra aire a la bomba en vez de agua al grado que incapacita o impide que la bomba circule el agua.
- **Panel de control de cromoterapia** - Enciende y apaga las luces de cromoterapia (en los modelos así equipados).
- **Luces de cromoterapia** - Luces provistas en el interior de la bañera (en los modelos así equipados) para una experiencia más placentera.
- **Calentador** - Diseñado para ayudar a mantener automáticamente la temperatura del agua en hasta 104° F (40° C) y así aumentar el placer de la experiencia del hidromasaje. El calentador se enciende automáticamente cuando la bañera de hidromasaje está en funcionamiento y se apaga cuando el motor bomba se apaga.
- **Control maestro** - Esta unidad se encuentra debajo de la bomba. Es el "cerebro" del sistema, interpreta todas las señales que entran y salen.
- **Rejilla metálica de succión** - La rejilla metálica desmontable está situada sobre la tapa de succión en el canal de rebose. La rejilla de succión debe estar siempre limpia y colocada en su lugar durante el funcionamiento de la bañera rebosante para evitar que las partículas entren en el puerto de entrada y evitar así la cavitación y el mal funcionamiento.
- **Borde exterior** - El borde a lo largo del exterior de la bañera.
- **Canal de rebose** - El canal de recogida del agua que se desborda alrededor del área de la bañera. Durante el funcionamiento normal, el canal de rebose recoge el agua que se desborda del área de la bañera y la canaliza de vuelta al sistema de tuberías para su recirculación.
- **Sensores del canal de rebose** - Las dos sondas metálicas situadas en la pared del canal de rebose, debajo de la tapa del rebosadero de desagüe. Estos sensores evitan la activación de la bomba cuando no hay suficiente agua disponible, y detienen la bomba automáticamente si el nivel de agua descende por debajo de ellos. La bomba funcionará únicamente cuando estos dos sensores estén completamente sumergidos.
- **Interruptor de control de la bomba** - Enciende y apaga la bomba.
- **Tapa plástica de succión** - La protección de plástico montada en el puerto de entrada de agua en el canal de rebose. La tapa de succión debe estar siempre instalada cuando se utilice el producto para asegurar la seguridad del usuario.

Lista de términos nuevos (cont.)

- **Bomba** - La bomba hace circular el agua.
- **Arnés de cables** - El arnés de cables conecta todos los componentes periféricos (las válvulas, la bomba, el calentador, los interruptores, las luces) al control maestro.

No es necesario cambiar las medidas si se conecta con el desagüe ilustrado. (K-7193 or K-7193M)

Plantilla 73-1/2" (186,7 cm) x 39-1/2" (100,3 cm)

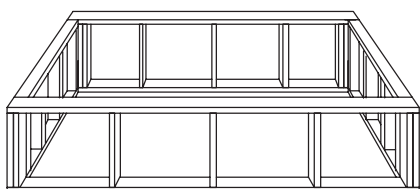


1. Diagrama de instalación

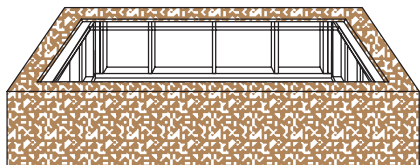
AVISO: El soporte del piso debajo de la bañera de hidromasaje debe poder sostener como mínimo 2000 lbs. (907,2 kg).

- Se requieren dos circuitos eléctricos separados de 240 V: uno para el control/bomba, y otro para el calentador.
- Consulte los códigos locales y nacionales para obtener los requisitos mínimos de espacio libre en caso de instalar un surtidor en la superficie plana para la grifería.
- La bañera rebosante debe llenarse con agua procedente del área de la bañera.
- El suministro de agua caliente debe llegar al 70% de la capacidad o más.
- La unidad cumple con la norma Z124.1 del ANSI. Todas las dimensiones son nominales.
- No es necesario cambiar las medidas si se conecta con el desagüe ilustrado (K-7193, K-7193M).
- Abertura = 73-1/2" (186,7 cm) x 39-1/2" (100,3 cm)
- Es necesario un panel de acceso. Las dimensiones recomendadas para el panel de acceso son 40" (101,6 cm) de ancho x 15" (38,1 cm) de alto. Consulte el diagrama de instalación para ver el lugar recomendado para el panel de acceso.
- Verifique que el piso esté en buenas condiciones y que ofrezca el soporte adecuado para la bañera.

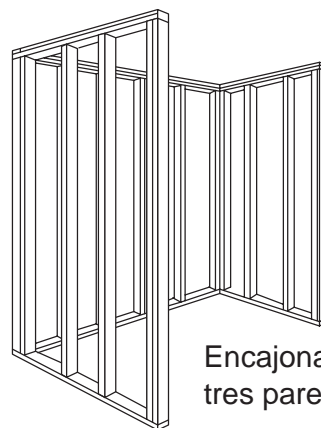
¡IMPORTANTE! Verifique que el subpiso esté plano y nivelado. Esto le ayudará a minimizar los ajustes de nivelación necesarios para el buen funcionamiento del producto.



Cubierta



Montaje bajo cubierta

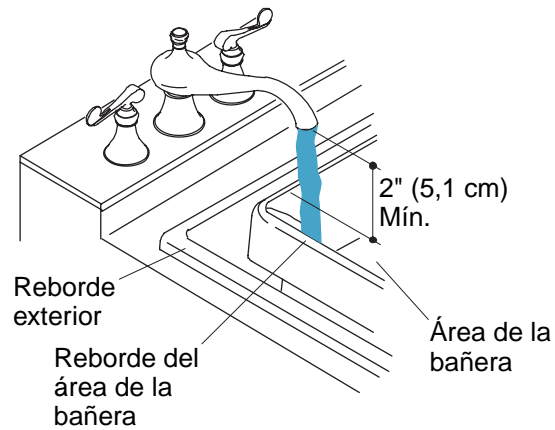


Encajonado entre tres paredes

2. Construya la estructura de postes

AVISO: Provea acceso sin restricciones para el mantenimiento de la bomba, el calentador en línea, las patas ajustables y la caja de control. Se debe construir un panel de acceso que provea suficiente espacio para el mantenimiento de la bomba, del calentador en línea y de la caja de control.

- Construya una estructura de postes para su instalación en particular. La bañera rebosante puede instalarse en una cubierta, bajo cubierta o encajonada entre tres paredes.
- Construya la estructura del piso o construya una estructura para una instalación elevada, conforme a la información contenida en el diagrama de instalación.
- Al construir la estructura, tome en cuenta el espesor de los materiales de la cubierta y del acabado de la cubierta.
- La estructura debe ser de postes de 2x4.
- Para instalaciones bajo cubierta, tome en cuenta el espesor del material planeado para la cubierta y provea el soporte adecuado.
- No apoye la bañera por los bordes.
- Al planificar la estructura de postes, considere el espacio libre requerido de 2" (5,1 cm) entre el extremo del surtidor de llenado y la parte superior del borde de la bañera. Tome en cuenta el grosor del material planeado para el acabado de la cubierta, y construya la estructura y la cubierta tomando en consideración este espacio libre mínimo.



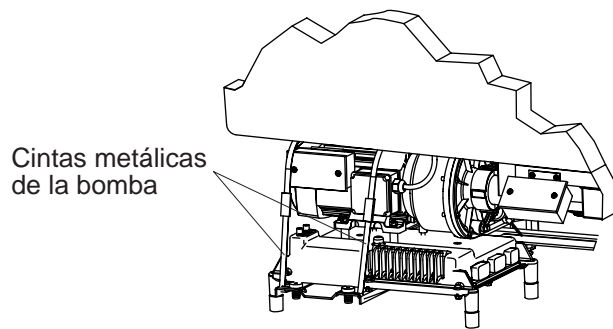
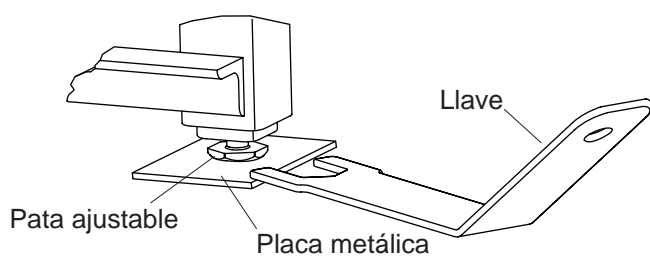
3. Instale el tendido de tuberías

¡**IMPORTANTE!** Elija un surtidor que provea un espacio de al menos 2" (5,1 cm) encima del borde de la bañera rebosante. Si desea instalar una ducha de mano sobre la cubierta, la válvula rompedora de desviación debe tener como mínimo 1" (2,5 cm) de espacio libre por encima del borde exterior de la bañera rebosante.

- Realice el tendido de plomería. Coloque el suministro del surtidor de manera que el surtidor alcance más allá del borde exterior y del borde del área de la bañera. **El agua del surtidor debe caer directamente en el área de la bañera para así llenar la bañera rebosante.** La bañera rebosante nunca se debe llenar dirigiendo el agua al canal de rebose.
- Cierre los suministros y verifique que no haya fugas.

4. Prepare de la unidad

- Con cuidado saque la bañera rebosante de la caja de embalaje.
- Identifique la caja ubicada dentro del canal de rebose. Esta caja tiene la rejilla metálica de succión y debe guardarse para utilizarla con este producto.
- Instale el desagüe según las instrucciones del fabricante del desagüe. Aún no conecte la trampa.
- Coloque una lona gruesa y limpia o un material similar en el fondo de la bañera. Tenga cuidado de no rayar la superficie de la bañera rebosante.



5. Coloque la unidad



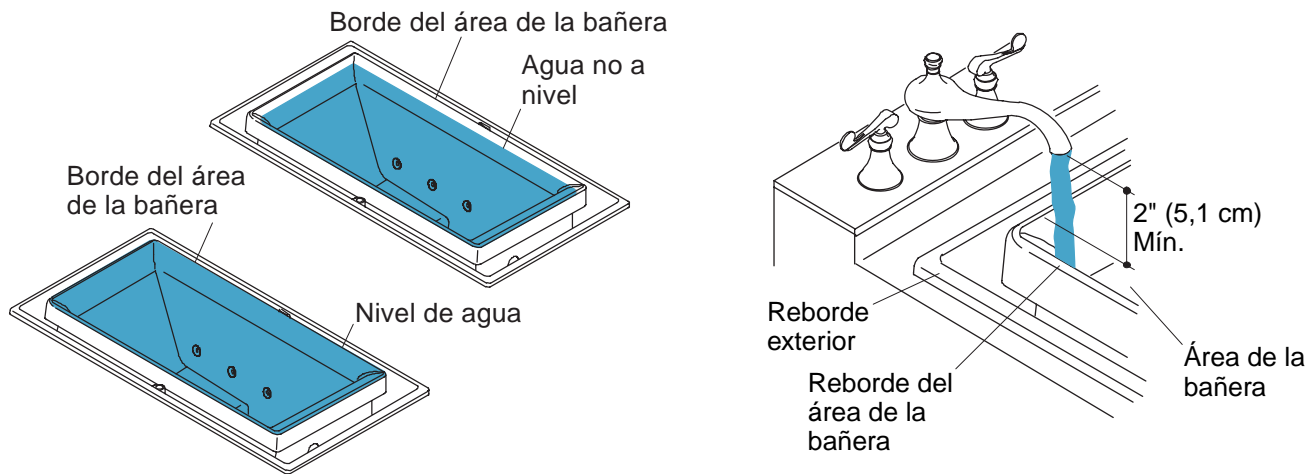
PRECAUCIÓN: Riesgo de daños al producto. No levante ni apoye la bañera rebosante por la bomba o la tubería.

NOTA: No utilice adhesivo ni cemento o mortero para fijar este producto al subpiso.

- Obtenga ayuda para colocar con cuidado la bañera rebosante en su lugar. Se recomienda utilizar placas metálicas debajo de las patas ajustables ya que facilitará la nivelación de la bañera.

NOTA: Si no tiene un nivel de 4' (1,2 m), prosiga a la siguiente sección.

- Nivele la unidad girando las patas ajustables hacia arriba o hacia abajo con la llave (7/8") asegurada al arnés cerca de la bomba. Verifique que las cuatro patas ajustables descansen directamente en el subpiso, y asegúrese de que el borde del área de la bañera esté a nivel dentro de 1/8" (3 mm) en todas las direcciones.
- Una vez nivelada la bañera rebosante, ajuste la pata niveladora ubicada debajo de la bomba. Gire la pata hasta que se apoye directamente en el subpiso. De ser posible, utilice un nivel de 4' (1,2 m). Si toma el tiempo necesario para nivelar la bañera rebosante en este momento, evitará tener que realizar mayores ajustes posteriormente.
- Corte y deseche las cintas metálicas de la bomba.
- Asegúrese de que las patas aislantes de goma estén en su lugar.
- Inserte el tubo de desagüe en la trampa.



6. Nivele la bañera rebosante (sin nivel)

AVISO: Para realizar el siguiente procedimiento de nivelación no es necesario tener suministro eléctrico.

- Inserte el tubo de desagüe en la trampa y conecte el desagüe a la trampa, según las instrucciones del fabricante del desagüe.
- Cierre el desagüe y tapone o cubra la tapa de succión para hacerlos impermeables temporalmente.
- Con una manguera y el suministro de agua fresca, llene el área de la bañera hasta el borde.
- Observe el nivel de agua en relación al borde del área de la bañera, y con la llave gire las patas ajustables hacia arriba o hacia abajo según sea necesario para obtener un nivel de agua uniforme en cada una de las cuatro esquinas.
- Abra el desagüe y descubra la tapa de succión para vaciar la bañera.

¡IMPORTANTE! Provea un acceso adecuado a cada una de las cuatro patas ajustables hasta después de haber probado la bañera.

7. Instale la plomería

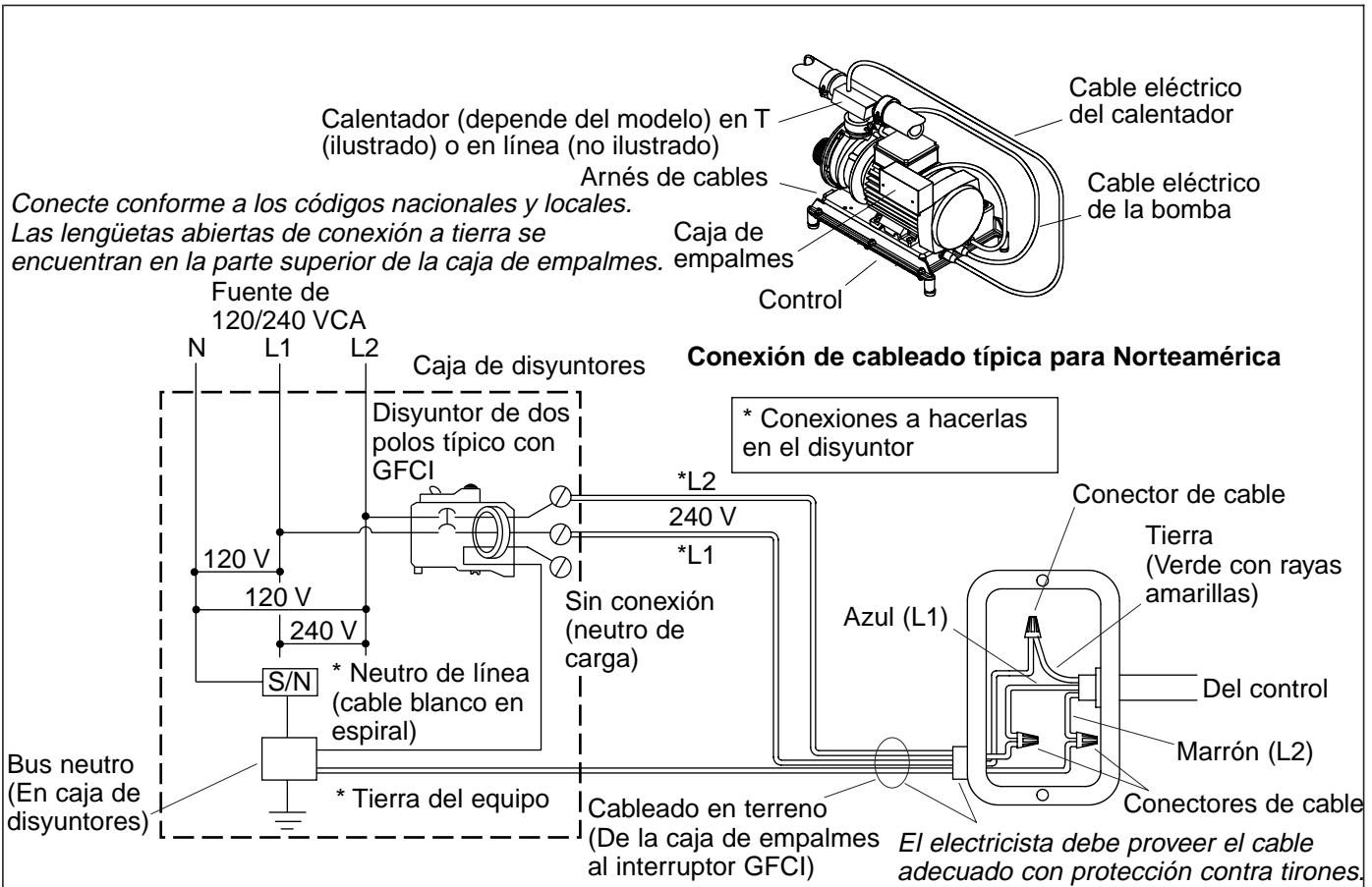


PRECAUCIÓN: Riesgo de daños a la propiedad. Verifique que las conexiones de desagüe tengan un sello impermeable.

¡IMPORTANTE! Elija un surtidor que provea suficiente espacio encima del borde del área de la bañera. Puede que se deba elevar el material de la cubierta para obtener suficiente espacio, pues el borde exterior es en ocasiones más bajo que el borde de la bañera. Si desea instalar una ducha de mano sobre la cubierta, la válvula rompedor de desviación debe tener como mínimo 1" (2,5 cm) de espacio libre por encima del borde exterior.

NOTA: Un panel de acceso facilitará el mantenimiento futuro.

- Si aún no lo ha hecho, conecte el desagüe a la trampa siguiendo las instrucciones del fabricante del desagüe.
- Instale las válvulas de la grifería según las instrucciones del fabricante de la grifería. No instale la guarnición de la grifería hasta que se le indique.
- Verifique que las válvulas de mariposa y las conexiones del suministro estén bien apretadas.
- Abra los suministros del agua caliente y fría, y compruebe que no haya fugas en las conexiones de suministro.
- Deje correr el agua en el área de la bañera, y verifique que no haya fugas en las conexiones del desagüe.



8. Realice las conexiones eléctricas

NOTA: El número de modelo está impreso en una etiqueta ubicada del lado de la bomba de la bañera rebosante. Esta etiqueta identifica la capacidad nominal eléctrica del producto. Todas las bañeras de hidromasaje están equipadas con una caja de empalmes y están diseñadas para funcionar entre 208 VCA y 240 VCA a 50 Hz o 60 Hz.

⚠ ADVERTENCIA: Riesgo de descarga eléctrica. Asegúrese de desconectar la corriente eléctrica antes de realizar el siguiente procedimiento. Consulte la sección "Información importante".

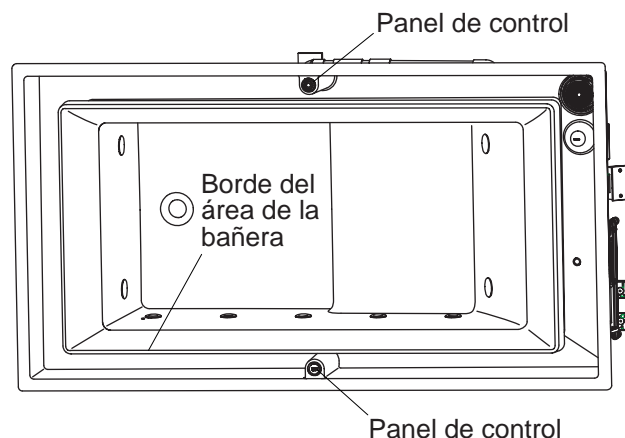
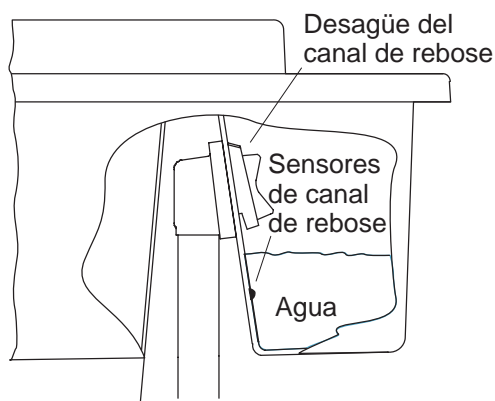
⚠ ADVERTENCIA: Riesgo de descarga eléctrica. Para reducir el riesgo de descarga eléctrica, conecte la bomba a un interruptor de circuito con pérdida a tierra (GFCI) o disyuntor de fuga a tierra (ELCB), correctamente conectado a tierra. Esto servirá de protección adicional contra el peligro de descarga eléctrica de línea a tierra. Es necesario un circuito dedicado de 208-240 V, 20 A, 50/60 Hz.

¡IMPORTANTE! El **neutro de carga** no se usa. No debe haber conexión al terminal **neutro de carga** del interruptor de circuito con pérdida a tierra (GFCI) de Clase A. El cable verde con raya amarilla es la **tierra del equipo** y es necesario conectarlo al bus neutro de la caja principal de circuitos eléctricos.

- El cableado del sistema y del control de la bañera de rebosante se ha realizado en la fábrica. Un electricista calificado debe realizar las conexiones eléctricas de la caja de empalmes.
- Conecte el cable de servicio eléctrico a la caja de empalmes. La caja de empalmes tiene cables de color azul, marrón y verde con una raya amarilla.
- Cumpla con todos los códigos eléctricos locales. Conecte conforme a los códigos nacionales y locales.
- El cableado del arnés de cables se ha realizado en la fábrica, permitiendo la comunicación entre el teclado, todas las funciones y el control. No es necesario realizar ningún cableado adicional, pero asegúrese de que todos los cables se hayan afianzado bien.

Realice las conexiones eléctricas (cont.)

NOTA: El arnés de cables incluye una antena para el control remoto opcional. No modifique ni dañe la antena durante la instalación.



9. Pruebe el funcionamiento de la bañera rebotante

- Revise todas las conexiones eléctricas y verifique que haya alimentación eléctrica a la unidad.
- Verifique que las conexiones de unión a la bomba, a las válvulas de mariposa y al calentador en línea estén bien apretadas a mano. Verifique que el área de la bañera y el canal de rebose estén limpios y libres de partículas.
- Coloque la rejilla metálica de succión sobre la tapa plástica de succión (vea la ilustración en la página anterior). Es posible que la bomba cavite si la rejilla metálica no está en su lugar.
- Llene el área de la bañera rebotante de manera que el agua desborde por el borde y fluya hacia el canal de rebose. Siga llenando el área de la bañera hasta que los sensores del canal de rebose estén totalmente cubiertos de agua, y que el nivel de agua alcance el rebosadero de desagüe.
- Verifique que la luz verde del interruptor de control de la bomba parpadee automáticamente 1/2 minuto después de que los sensores del canal de rebose estén completamente sumergidos.

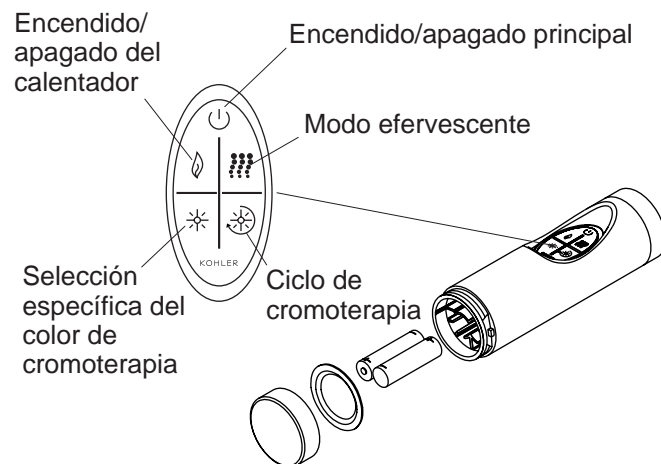
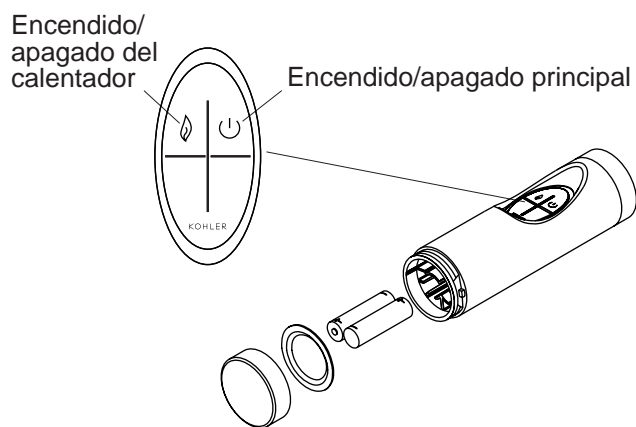
10. Pruebe el interruptor de control

- Oprima el interruptor de control de la bomba para encender el motor/bomba e iniciar el ciclo de hidrotterapia. Una vez que la bomba/motor se encienda y el agua comience a circular, la luz se iluminará en verde, permaneciendo encendida mientras la bañera rebotante esté en funcionamiento.
- Con la unidad en funcionamiento, verifique que no haya fugas en las conexiones de la tubería. Observe visualmente que el flujo de agua cascadee sobre el borde del área de la bañera verificando que el flujo sea suave y uniforme en los cuatro lados y las esquinas.
- Si el agua cascadea uniformemente por los cuatro lados del borde de la bañera, no será necesario realizar más ajustes de nivelación.
- Si es necesario realizar más ajustes, mantenga la bañera rebotante en funcionamiento y gire las patas ajustables hacia arriba o hacia abajo con la llave incluida de 7/8". Verifique que la unidad esté apoyada sobre las cuatro patas ajustables.
- Verifique que las luces de cromoterapia funcionen (si corresponde). Para encender las luces, oprima el interruptor de cromoterapia (ubicado en el extremo opuesto del interruptor principal). Al encenderse, las luces recorrerán la secuencia de colores. Oprima el interruptor de control de las luces por segunda vez. La secuencia de luces debe detenerse y las luces deben permanecer en un color. Vuelva a oprimir el interruptor de las luces y las luces se apagarán.
- Verifique una vez más que no haya fugas en las conexiones de las tuberías.
- Vuelva a oprimir el interruptor del control de la bomba para apagar la bañera. La luz verde del interruptor de control de la bomba empezará a parpadear automáticamente (tras aproximadamente 1/2 minuto) hasta que la bañera rebotante se vacíe o se vuelva a activar.

Pruebe el interruptor de control (cont.)

NOTA: Para más información acerca del funcionamiento de su bañera, consulte la sección "Uso de la bañera rebosante".

¡IMPORTANTE! Provea el acceso adecuado a cada una de las cuatro patas ajustables hasta después de haber realizado la prueba.



11. Pruebe el interruptor de control

NOTA: Hay dos tipos de control remoto disponibles: uno básico y otro con controles para la cromoterapia y el hidromasaje efervescente. Determine el tipo de unidad que tiene y siga las instrucciones correspondientes.

NOTA: El control remoto requiere dos pilas AAA. Para instalarlas o cambiarlas sólo tiene que destornillar la base del control remoto.

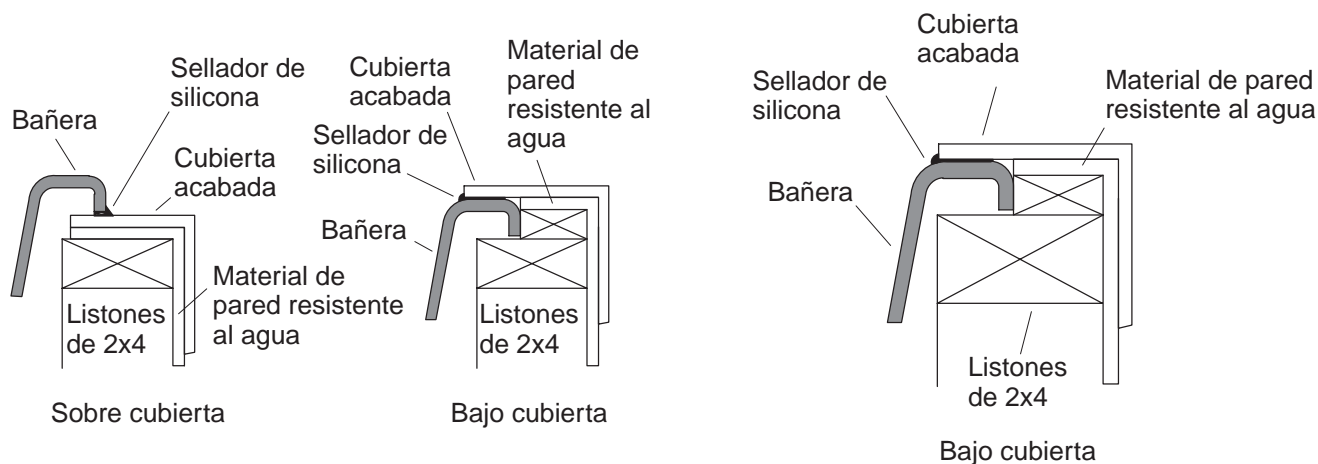
La bañera rebosante viene equipada con un control remoto impermeable.

Oprima el botón de encendido y apagado principal para encender y apagar la bomba y las luces de cromoterapia.

Para calentar el agua de la bañera rebosante mientras circula, oprima el icono del calentador para encenderlo (de manera predeterminada, el calentador se enciende cuando la bomba se enciende). Vuelva a oprimir el icono del calentador para apagarlo. El calentador no funcionará si la bomba está apagada. Si el calentador está encendido el interruptor de la bomba se iluminará en verde oscuro. Si el calentador está apagado, se iluminará en verde-amarillo.

Para hacer que las luces de cromoterapia cambien de color, oprima el icono de ciclo de cromoterapia.

Para seleccionar un color de cromoterapia en particular, oprima el icono del color específico de cromoterapia.



12. Termine la cubierta o pared acabada

AVISO: Provea acceso sin restricciones para el mantenimiento de la bomba, el calentador en línea, las patas ajustables y la caja de control. Se debe construir un panel de acceso que provea suficiente espacio para el mantenimiento de la bomba, del calentador en línea y de la caja de control.

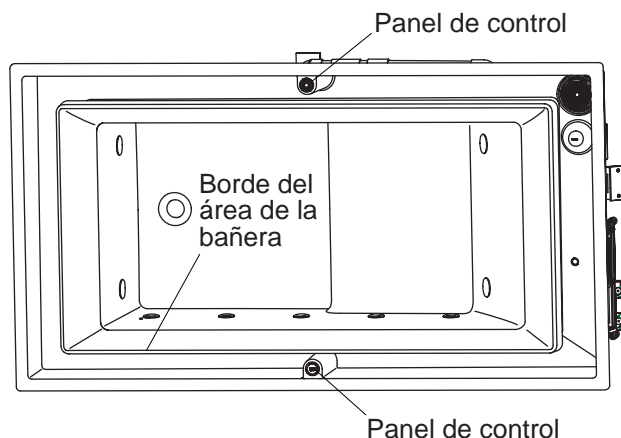
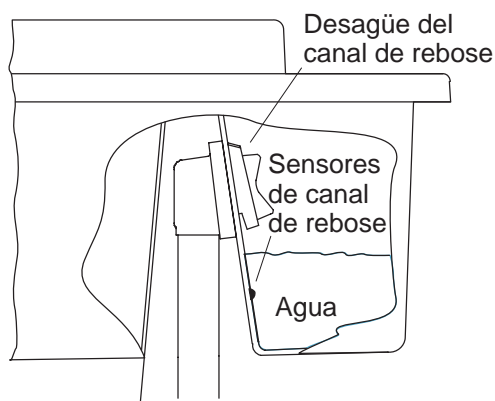
- Proteja la superficie del producto. Cubra la estructura con material de pared resistente al agua.
- Mantenga el área del canal de rebose expuesta para permitir el acceso al rebosadero de desagüe y facilitar la limpieza de dicha superficie.
- Selle las uniones entre el borde de la bañera y el material impermeable de la pared o cubierta con sellador de silicona.
- Adhiera el material de pared resistente al agua con cinta y yeso.
- Instale la pared acabada con el material resistente al agua.
- Selle las uniones entre el borde del producto y el material de la pared acabada con sellador de silicona.

13. Instale la guarnición de la grifería

- Instale la guarnición de la grifería conforme a las instrucciones incluidas con la guarnición.

14. Limpieza después de la instalación

- Al limpiar después de la instalación, **no utilice productos de limpieza abrasivos**, pues pueden rayar y opacar la superficie de la bañera. Utilice agua tibia y detergente líquido para limpiar la superficie.
- Limpie las manchas difíciles de quitar, la pintura y el alquitrán con aguarrás o diluyente de pintura. **No permita que los productos de limpieza que contengan destilados de petróleo permanezcan en contacto con ninguna superficie de la bañera por un largo período de tiempo.** El yeso se puede eliminar raspando con un canto de madera. No utilice raspadores de metal, cepillos de alambre ni otras herramientas metálicas. Se puede utilizar un detergente en polvo con un trapo húmedo para proporcionar una acción abrasiva suave en los residuos de yeso.



15. Uso de su bañera

Llene la bañera rebotante

NOTA: Por favor, lea atentamente estos pasos antes de activar la bañera.

- Verifique que la rejilla metálica de succión esté limpia y colocada correctamente sobre la tapa plástica de succión.

NOTA: La temperatura del agua en la bañera no debe exceder 104° F (40° C), o de lo contrario, el calentador no funcionará.

¡IMPORTANTE! Al igual que con cualquier otra bañera, entre en la bañera lentamente para evitar derramar agua. Esto permitirá que el sistema desagüe correctamente el exceso de agua.

- Llene la unidad de manera que el agua de la bañera se desborde al canal de rebose y al desagüe. Los sensores del canal deben estar totalmente sumergidos en el agua.
- La luz verde en el control de la bomba empezará a parpadear automáticamente 1/2 minuto después de que los sensores se hayan cubierto de agua, indicando así que la unidad está lista para funcionar.

Secuencia de funcionamiento

- Oprima el interruptor de control del motor/bomba para encenderlo e iniciar el funcionamiento.
- Una vez que la bomba/motor se encienda y el agua comience a circular, la luz del interruptor de la bomba cambiará a verde y permanecerá encendida mientras la bañera rebotante esté en funcionamiento.
- Verifique que la luz indicadora del calentador esté encendida durante el funcionamiento de la bañera rebotante. Esta luz indicadora está situada debajo de la caja del calentador y cerca del subpiso del lado de la bomba. Si la luz no se enciende cuando la bañera rebotante está en marcha, intente restablecer la alimentación eléctrica (reset) del GFCI/ELCB.
- Vuelva a oprimir el interruptor del control de la bomba para apagar la bañera rebotante. La luz verde del interruptor de control de la bomba comenzará a parpadear automáticamente (tras aproximadamente 1/2 minuto) hasta que la bañera rebotante se vacíe por debajo de los sensores del canal de rebose o se vuelva a activar.

NOTA: Un temporizador integrado apaga la bañera automáticamente después de 20 minutos de funcionamiento.

- Oprima de nuevo el interruptor de control de la bomba para encender el motor/bomba e iniciar el funcionamiento.

Uso de su bañera (cont.)

- Presione el interruptor de control "On/Off" para encender el motor/bomba e iniciar el funcionamiento.
- Una luz anaranjada en el interruptor de control "On/Off" se encenderá temporalmente, para indicar el inicio del modo de funcionamiento.
- Una vez que el motor/bomba se encienda y el agua comience a circular, la luz cambiará a verde, permanecerá encendida mientras la bañera rebosante esté en funcionamiento.
- Verifique que la luz indicadora del calentador esté encendida durante el funcionamiento de la bañera rebosante. Esta luz indicadora está situada debajo de la caja del calentador y cerca del subpiso del lado de la bomba. Si la luz no está encendida durante el funcionamiento de la bañera rebosante, oprima el botón de restablecer (reset) ubicado a la derecha de la luz indicadora, en la caja del calentador.
- Oprima nuevamente el interruptor "On/Off" para apagar la bañera rebosante. La luz anaranjada en el interruptor de "On/Off" se encenderá temporalmente, para indicar el final del modo de funcionamiento. La luz verde en el interruptor de control "On/Off" comenzará a parpadear hasta que la bañera rebosante se vacíe por debajo de los sensores del canal o se vuelva a activar.

NOTA: Un temporizador integrado apaga la bañera automáticamente después de 20 minutos de funcionamiento.

16. Funcionamiento de las luces de cromoterapia

NOTA: Estas instrucciones se refieren solamente al uso del panel de control montado. Para más información, consulte la sección "Pruebe el control remoto".

Si las luces de cromoterapia están apagadas, oprima el botón del panel de control (situado en el extremo opuesto de la bañera rebosante). Las luces de cromoterapia empezarán a cambiar de color (modo de barrido).

Cuando las luces de cromoterapia estén en modo de barrido, puede seleccionar un color con sólo oprimir el botón de control.

Una vez seleccionado un color, oprima el botón de control para apagar las luces de cromoterapia.

Procedimientos para resolver problemas

Tabla para resolver problemas

Esta guía para resolver problemas está diseñada únicamente para proporcionar ayuda general. Todos los problemas eléctricos deben ser resueltos por un representante de servicio autorizado de Kohler o un electricista calificado. Para obtener servicio cubierto por la garantía, póngase en contacto con el vendedor o el distribuidor mayorista.

Síntomas	Causas probables	Acción recomendada
1. La luz verde del interruptor de control "On/Off" se enciende de forma intermitente antes de que la bañera esté llena de agua.	A. El surtidor vierte el agua directamente en el canal de rebose. B. Una o ambas válvulas de mariposa no funcionan.	A. Ajuste o reinstale el surtidor para que llene directamente dentro de la bañera. Consulte al vendedor/instalador. B. Verifique el cableado de la válvula de mariposa o reemplace las válvulas de mariposa. Consulte al vendedor/instalador.

Procedimientos para resolver problemas (cont.)

Síntomas	Causas probables	Acción recomendada
	C. El control no funciona.	C. Verifique el cableado o reemplace el control. Consulte al vendedor/instalador.
2. La unidad no se enciende.	<p>A. La unidad no tiene alimentación eléctrica.</p> <p>B. El agua no cubre los sensores del canal de rebose.</p> <p>C. El interruptor de control "On/Off" no se enciende ni parpadea cuando la bañera está en funcionamiento o llena según se indica.</p> <p>D. El motor/bomba no funciona.</p> <p>E. El control no funciona.</p>	<p>A. Restablezca la alimentación eléctrica a la unidad, o solucione el problema que ha causado el corte de alimentación eléctrica. Consulte al vendedor/instalador.</p> <p>B. Llene la bañera hasta que el agua se desborde por el borde de la bañera, al canal de rebose, y cubra los sensores del canal de rebose. Se recomienda llenar hasta el rebosadero de desagüe.</p> <p>C. Verifique el cableado o reemplace el interruptor de control "On/Off". Consulte al vendedor/instalador.</p> <p>D. Repare o reemplace el motor/bomba. Consulte al vendedor/instalador.</p> <p>E. Verifique el cableado o reemplace el control. Consulte al vendedor/instalador.</p>
3. El agua no cascadea uniformemente del borde de la bañera.	<p>A. La unidad no está nivelada.</p> <p>B. Los puertos de la bañera están obstruidos.</p> <p>C. La rejilla metálica de succión está obstruida.</p>	<p>A. Nivele la unidad usando la llave provista para girar las patas ajustables hacia arriba o hacia abajo según sea necesario.</p> <p>B. Elimine la obstrucción.</p> <p>C. Limpie la rejilla metálica de succión.</p>
4. La unidad se detiene automáticamente antes de 18 minutos.	A. El interruptor de circuito GFCI o ELCB se ha disparado.	A. Identifique la causa de la pérdida a tierra y solucione el problema. Consulte al vendedor/instalador.

Procedimientos para resolver problemas (cont.)

Síntomas	Causas probables	Acción recomendada
	<p>B. El motor se ha sobrecalentado, activando el dispositivo de protección.</p> <p>C. Durante el funcionamiento, el nivel del agua desciende por debajo de los sensores del canal de rebose (el anillo "amarillo" del interruptor de la bomba se ilumina intermitentemente).</p>	<p>B. Verifique que las ventilaciones del motor no estén obstruidas. Deje enfriar el motor y luego elimine la obstrucción. Verifique que la rejilla metálica de succión no esté tapada, y deje enfriar el motor antes de volver a encenderlo. Verifique que no haya obstrucciones en los puertos de la bañera. Retire la obstrucción y deje enfriar el motor antes de volver a encenderlo.</p> <p>C. Llene la bañera hasta que el agua se desborde por el borde de la bañera, al canal de rebose, y cubra los sensores del canal de rebose. Se recomienda llenar hasta el rebosadero de desagüe. Asegúrese de que el tapón de desagüe se cierre correctamente.</p>
<p>5. Funcionamiento ruidoso.</p>	<p>A. La rejilla metálica de succión no está colocada sobre la tapa plástica de succión.</p> <p>B. El nivel de agua en el canal de rebose es insuficiente.</p> <p>C. El motor/bomba hace ruido.</p>	<p>A. Coloque la rejilla metálica de succión sobre la tapa plástica de succión para evitar la cavitación.</p> <p>B. Llene la bañera hasta que el agua se desborde por el borde de la bañera, al canal de rebose, y cubra los sensores del canal de rebose. Se recomienda llenar hasta el rebosadero de desagüe. Asegúrese de que el tapón de desagüe se cierre correctamente.</p> <p>C. Asegúrese de que se hayan cortado las cintas metálicas del motor/bomba.</p>
<p>6. La temperatura del agua desciende notablemente durante los 20 minutos de funcionamiento.</p>	<p>A. El disyuntor de seguridad del calentador se ha disparado. La luz indicadora debe permanecer encendida durante el funcionamiento.</p> <p>B. El calentador no funciona.</p>	<p>A. Presione el botón de restablecer la corriente eléctrica (reset) del interruptor GFCI o ELCB.</p> <p>B. Verifique el cableado o reemplace el calentador. Consulte al vendedor/instalador.</p>
<p>7. Las luces de cromoterapia no funcionan.</p>	<p>A. El arnés de cableado está dañado.</p>	<p>A. Verifique el cableado o reemplace el control. Consulte al vendedor/instalador.</p>

Procedimientos para resolver problemas (cont.)

Síntomas	Causas probables	Acción recomendada
	B. El control no funciona.	B. Reemplace el arnés de cables. Consulte al vendedor/instalador.
8. El control remoto no funciona.	<p>A. Pilas mal instaladas o descargadas.</p> <p>B. El control no funciona.</p> <p>C. El control remoto no se ha programado correctamente.</p> <p>D. El control remoto está averiado.</p> <p>E. El control está averiado.</p>	<p>A. Reemplace las pilas.</p> <p>B. Reemplace el arnés de cables. Consulte al vendedor/instalador.</p> <p>C. Consulte la guía del usuario o el manual de mantenimiento.</p> <p>D. Reemplace el control remoto.</p> <p>E. Reemplace el control.</p>
9. El agua no llega al borde de la bañera una vez llena.	<p>A. La unidad no tiene alimentación eléctrica.</p> <p>B. Los cables de la sonda de nivel están sueltos.</p> <p>C. Las válvulas de mariposa están averiadas.</p> <p>D. El control está averiado.</p>	<p>A. Active la alimentación eléctrica.</p> <p>B. Revise/vuelva a conectar el cableado.</p> <p>C. Verifique los cables; cambie las válvulas de mariposa si es necesario.</p> <p>D. Reemplace el control.</p>

USA: 1-800-4-KOHLER
Canada: 1-800-964-5590
México: 001-877-680-1310

kohler.com

THE BOLD LOOK
OF **KOHLER**®

©2006 Kohler Co.

1019731-2-C