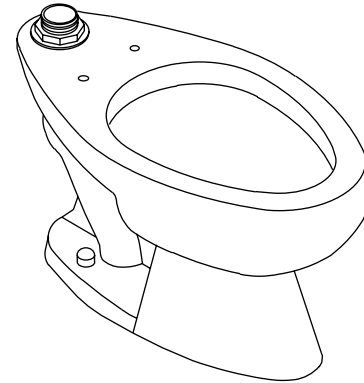


HIGH EFFICIENCY BOWL K-4406

Features

- Vitreous china
- Elongated bowl
- With bedpan lugs (-L)
- 10" (25.4 cm) or 12" (30.5 cm) rough-in
- 1-1/2" top spud
- 2-1/4" (5.7 cm) passageway
- 11" (27.9 cm) x 9" (22.9 cm) water area
- 1.28 gpf (4.85 lpf)
- 28-1/4" (71.8 cm) x 14-7/8" (37.8 cm) x 15" (38.1 cm)



Codes/Standards Applicable

Specified model meets or exceeds the following:

- ASME A112.19.2
- Energy Policy Act of 1992 (EPACT)
- CSA B45
- IAPMO/UPC

Colors/Finishes

- 0: White
- Other: Refer to Price Book for additional colors/finishes

Accessories:

- 0: White
- Other: Refer to Price Book for additional colors/finishes
- NA: None applicable

Specified Model

Model	Description	Colors/Finishes	
K-4406	Elongated bowl toilet	<input type="checkbox"/> 0	<input type="checkbox"/> Other_____
K-4406-L	Elongated bowl toilet with bedpan lugs	<input type="checkbox"/> 0	<input type="checkbox"/> Other_____

Recommended Accessories			
K-4731-C	EB open front seat with check hinge	<input type="checkbox"/> 0	<input type="checkbox"/> Other_____
K-4731-SC	EB open front seat with self-sustaining check hinge	<input type="checkbox"/> 0	<input type="checkbox"/> Other_____
K-4654	Lustra™ open front seat with support arms and cover	<input type="checkbox"/> 0	
K-4670-CA	Lustra™ open front seat (with anti-microbial agent)	<input type="checkbox"/> 0	
K-4654-A	Lustra™ open front seat with support arms and cover (with anti-microbial agent)	<input type="checkbox"/> 0	
K-10956	1.28 gpf (4.85 lpf) Touchless™ DC toilet flushometer with Tripoint™ technology	<input type="checkbox"/> CP	

Product Specification:

Bowl shall be 28-1/4" (71.8 cm) long x 14-7/8" (37.8 cm) wide x 15" (38.1 cm) high. The elongated bowl shall be 10" (25.4 cm) or 12" (30.5 cm) rough-in with 1-1/2" top spud. Bowl shall be made of vitreous china. Bowl shall be 1.28 gpf (4.85 lpf). Bowl shall have 11" (27.9 cm) x 9" (22.9 cm) water area. Bowl shall have 2-1/4" (5.7 cm) passageway. Bowl shall have bedpan lugs (-L). Bowl shall be Kohler Model K-4406-_____.

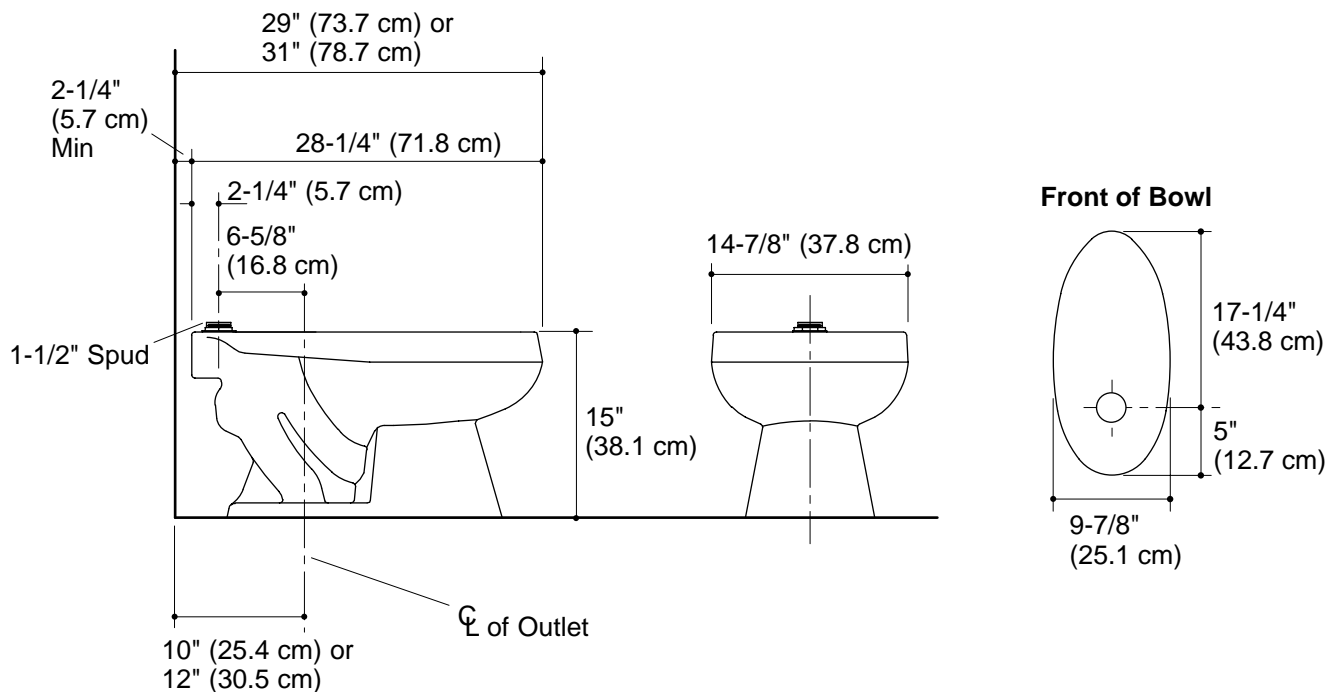
WELLWORTH®

Technical Information

Fixture:	
Configuration	Top spud, elongated
Water per flush	1.28 gallons (4.85 L)*
Spud size	1-1/2" (3.8 cm)
Passageway	2-1/4" (5.7 cm)
Water area	11" (27.9 cm) x 9" (22.9 cm)
Water depth from rim	6" (15.2 cm)
Seat post hole centers	5-1/2" (14 cm)
* Designed to flush with 1.28 gallons (4.85 L) of water when installed with a 1.28 gpf (4.85 lpf) valve.	
Included components:	
Spud	18357
Bolt cap accessory pack	1013092
Flush valve requirements: For 12" (30.5 cm) rough-in, sweat extension nipple is required. Refer to manufacturer and local codes.	

Installation Notes

Install this product according to the installation guide.



Product Diagram