

FEATURES

- 24" (61cm) x 23" (58.4cm) x 7-7/16" (18.9cm)
- Cast iron with exterior painted in a neutral color
- Integral and concealed wall-mount bracket
- 8" (20.3cm) centers, 4" (10.2cm) centers, or single-hole drilling

CODES/STANDARDS APPLICABLE

Specified model meets or exceeds the following:

- ASME/ANSI A112.19.1M
- CABO/ANSI A117.1
- IAPMO/UPC
- Canadian Standards Association (CSA)

COLORS/FINISHES

- 0 White
- 47 Almond
- 96 Biscuit
- Other Refer to Price Book for additional colors

Accessories:

- 0 White
- CP Polished Chrome
- F2 Black Forest
- Other Refer to Price Book for additional finishes

SPECIFIED MODEL:

Model	Center Set/Exterior Paint			Description	Colors/Finishes
K-2822-	<input type="checkbox"/> 8A	<input type="checkbox"/> 4A	<input type="checkbox"/> 1A	8" (20.3cm) centers, 4" (10.2cm) centers, or single-hole with Almond exterior	<input type="checkbox"/> 47 Almond
K-2822-	<input type="checkbox"/> 8B	<input type="checkbox"/> 4B	<input type="checkbox"/> 1B	8" (20.3cm) centers, 4" (10.2cm) centers, or single-hole with Biscuit exterior	<input type="checkbox"/> 96 Biscuit
K-2822-	<input type="checkbox"/> 8S	<input type="checkbox"/> 4S	<input type="checkbox"/> 1S	8" (20.3cm) centers, 4" (10.2cm) centers, or single-hole with Sandbar exterior	<input type="checkbox"/> 0 White <input type="checkbox"/> Other ____
K-2822-	<input type="checkbox"/> 8W	<input type="checkbox"/> 4W	<input type="checkbox"/> 1W	8" (20.3cm) centers, 4" (10.2cm) centers, or single-hole with White exterior	<input type="checkbox"/> 0 White <input type="checkbox"/> Other ____

Required Accessories				
K-7702	Drain (non ADA applications)			<input type="checkbox"/> CP <input type="checkbox"/> Other ____
K-9018	Trap (ADA application)			<input type="checkbox"/> CP <input type="checkbox"/> Other ____
K-13885	Offset drain (ADA application)			<input type="checkbox"/> CP <input type="checkbox"/> Other ____
1019171	Drain spacer gasket kit (ADA application)			<input type="checkbox"/> CP

Recommended Accessories			Colors/Finishes
K-2823-P	Iron Works Historic™ Pedestal		<input type="checkbox"/> NA
K-3116	Iron Works Tellieur™ Table		<input type="checkbox"/> F2

PRODUCT SPECIFICATION:

The lavatory shall be 24" (61cm) in length, 23" (58.4cm) in width, and 7-7/16" (18.9cm) in height. Lavatory shall be made of cast iron with exterior painted in a neutral color. Lavatory shall have integral and concealed wall-mount bracket, with 8" (20.3cm) centers, 4" (10.2cm) centers, or single-hole drilling. Lavatory shall be Kohler Model K-2822-_____-_____.

IRON WORKS™

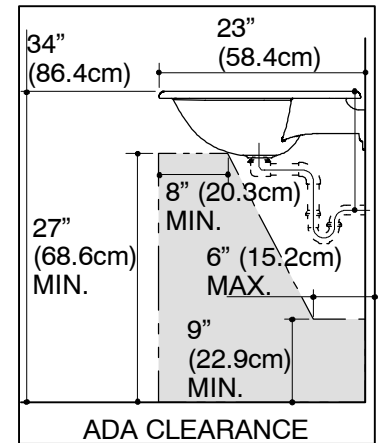
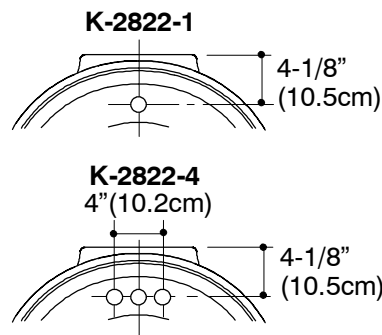
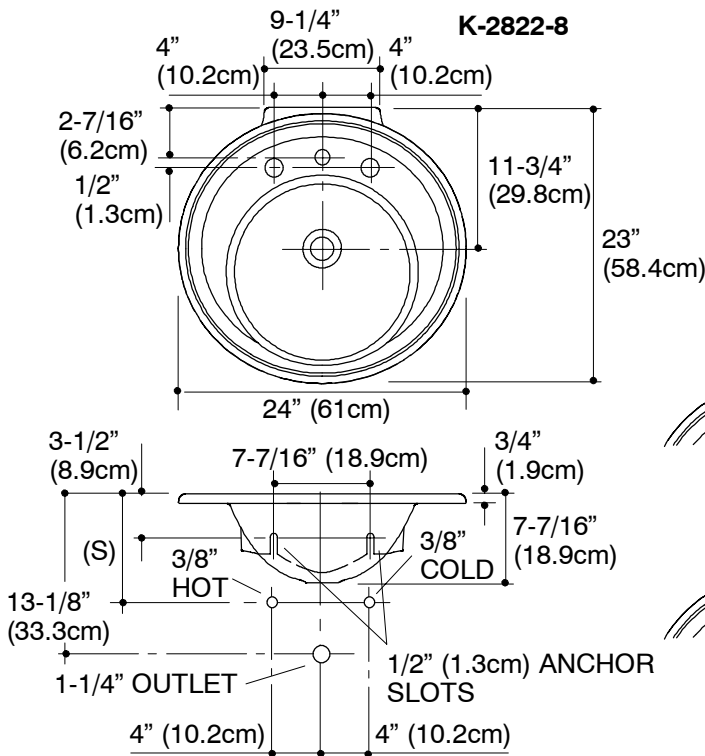
PRODUCT INFORMATION

ADA compliant:			
Fixture*:		basin area	water depth
Lavatory		15-3/8" (39.1cm) x 15-3/8" (39.1cm)	6" (15.2cm)
Outlet	1-3/4" D. (4.4cm)		
* Approximate measurements for comparison only.			
Included Components:			
Accessory pack		1003890	
Holes	K-2822-8	K-2822-4	K-2822-1
Spout	1-1/8" D. (2.9cm)	1-1/8" D. (2.9cm)	1-3/8" D. (3.5cm)
Faucet	1-3/8" D. (3.5cm)	1-3/16" D. (3cm)	
(S) Supply (Based on 12" (30.5cm) riser which may require cutting).	K-2822-1, K-2822-4		K-2822-8
	10" (25.4cm)		14" (35.6cm)

INSTALLATION NOTES

Install this product according to the installation guide.

⚠ WARNING: RISK OF INJURY OR PRODUCT DAMAGE. This cast iron lavatory is very heavy. Install only to a reinforced stud structure constructed according to the installation instructions.



PRODUCT DIAGRAM