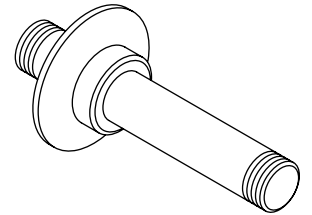


Features

- Brass construction
- 1/2" NPT connections
- Ceiling-mount
- Includes flange
- 3" (7.6 cm) straight length

**SHOWER ARM
K-7396**



Codes/Standards Applicable

Specified model meets or exceeds the following:

- ASME A112.18.1
- CSA B125

Colors/Finishes

- CP: Polished Chrome
- PB: Polished Brass

Specified Model

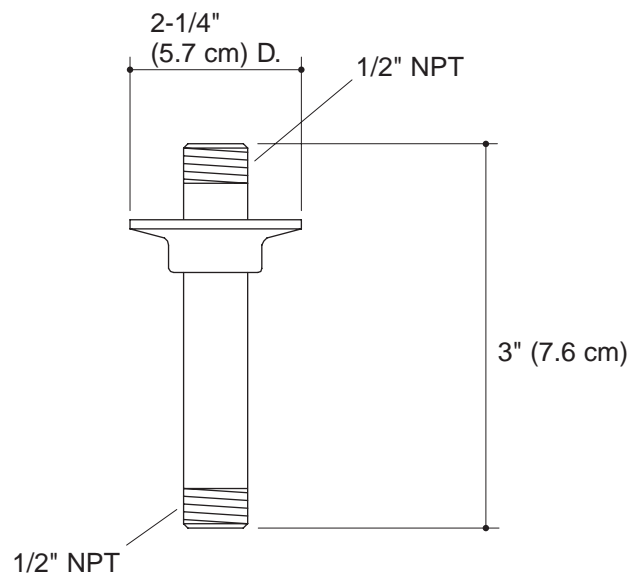
| Model | Description | Color/Finish | |
|--------|---------------------------------|-----------------------------|-----------------------------|
| K-7396 | 3" (7.6 cm) straight shower arm | <input type="checkbox"/> CP | <input type="checkbox"/> PB |

Product Specification

The ceiling-mount shower arm and flange shall be of brass construction. Shower arm shall have a 3" (7.6 cm) straight length. Shower arm shall have a 1/2" NPT connection at both ends. Shower arm shall be Kohler Model K-7396-_____.

Installation Notes

Install this product according to the installation guide.



K-7396

Product Diagram