

**MULTI-FUNCTION SHOWERHEAD
K-10240**

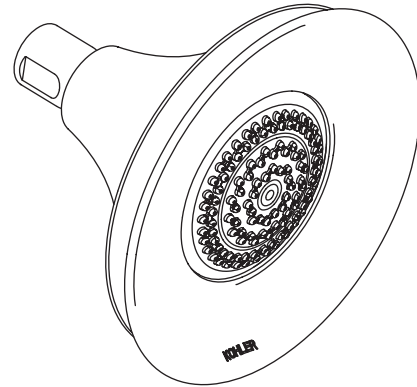
Features

- MasterClean™ spray nozzles prohibit mineral build-up
- Complements Forté® faucet line
- 1/2" - 14 NPT connection
- 1.75 gallons (6.6 L) per minute flow rate
- Wide-coverage, medium-coverage, and forceful utility spray options

Codes/Standards Applicable

Specified model meets or exceeds the following:

- ASME 112.18.1/CSA B125
- IAPMO/cUPC



Colors/Finishes

- CP: Polished Chrome
- Other: Refer to Price Book for additional colors/finishes

Accessories

- CP: Polished Chrome
- PB: Vibrant® Polished Brass
- Other: Refer to Price Book for additional colors/finishes

Specified Model

| Model | Description | Colors/Finishes | |
|---------|---------------------------|-----------------------------|-------------------------------------|
| K-10240 | Multi-function showerhead | <input type="checkbox"/> CP | <input type="checkbox"/> Other ____ |

| Recommended Accessories | | | | |
|-------------------------|---|-----------------------------|-----------------------------|-------------------------------------|
| K-7397 | Shower arm and flange – 7-1/2" (13.7 cm) length, 1/2" NPT | <input type="checkbox"/> CP | <input type="checkbox"/> PB | <input type="checkbox"/> Other ____ |
| K-16133 | Shower arm | <input type="checkbox"/> CP | <input type="checkbox"/> PB | <input type="checkbox"/> Other ____ |

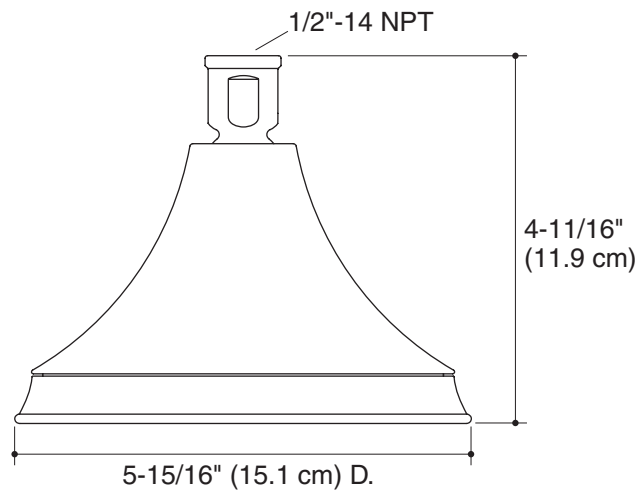
Product Specification

Showerhead shall feature a 1/2" - 14 NPT connection. Showerhead shall feature MasterClean spray nozzles to prohibit mineral build-up. Showerhead shall have a 1.75 gallon (6.6 L) per minute flow rate. Showerhead shall be available with a wide-coverage, medium-coverage, and forceful utility spray options. Showerhead complements the Forté faucet line. Showerhead shall be Kohler Model K-10240-____.

FORTÉ®

Installation Notes

Install this product according to the installation guide.



Product Diagram