

**CERAMIC LAVATORY FAUCET
K-11000**

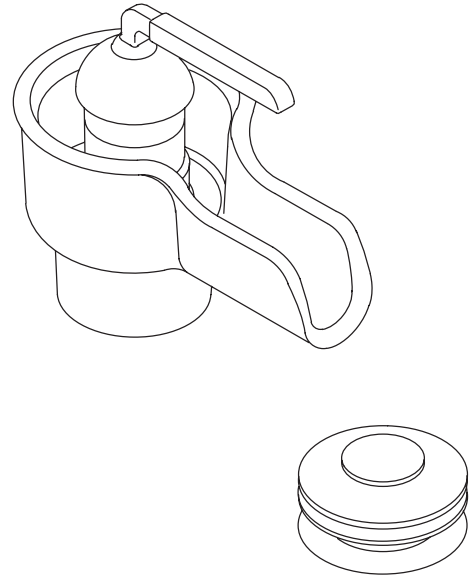
FEATURES

- Vitreous body with Brush nickel plated trim handle
- One-piece self-contained ceramic disc valve allows both volume and temperature control
- 2.2 gallons (8 L) per minute
- Lever handle
- Single-hole mounting
- Available with brass pop-up drain

CODES/STANDARDS APPLICABLE

Specified model meets or exceeds the following:

- ASME/ANSI A112.18.1M
- CSA International B125
- Energy Policy Act of 1992
- IAPMO/UPC listed
- NSF 61



COLORS/FINISHES

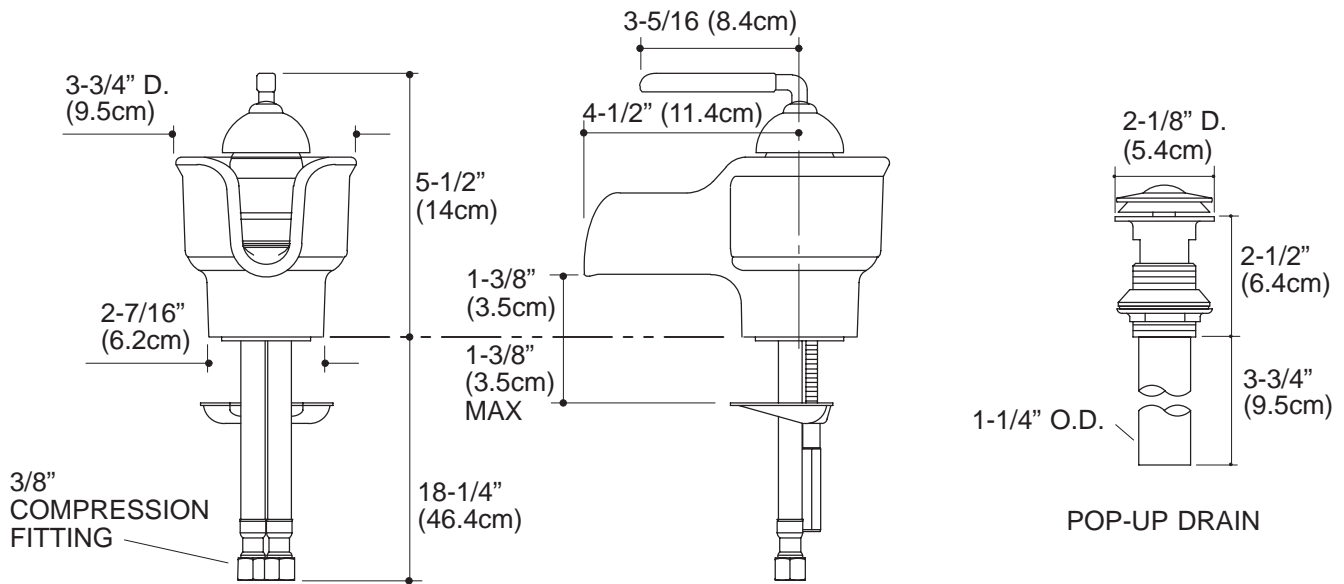
- 0 White
- 96 Biscuit
- 7 Black
- VT Silkweave™

SPECIFIED MODEL:

Model	Description	<input type="checkbox"/> 0	<input type="checkbox"/> 96	<input type="checkbox"/> 7	<input type="checkbox"/> VT
K-11000	Vitreous body with brushed nickel plated trim, and pop-up drain	<input type="checkbox"/>	<input type="checkbox"/>	<input type="checkbox"/>	<input type="checkbox"/>

PRODUCT SPECIFICATION:

Single-control lavatory faucet shall be of vitreous body with plated trim handle. The valve shall be a one-piece, self-contained ceramic disc valve, and allows both volume and temperature control. Product shall be 2.2 gallons (8 L) per minute and lever handle. Product shall include single hole mounting and brass pop-up drain. Faucet shall be Kohler Model K-11000_____.



PRODUCT DIAGRAM