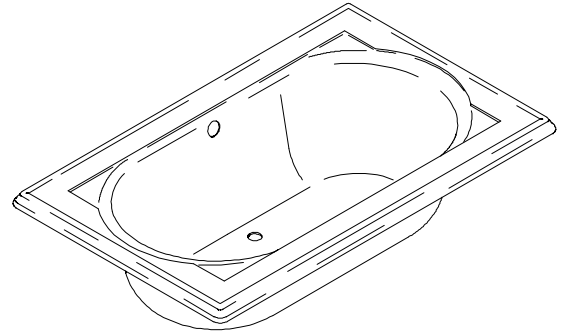


FEATURES

- 66" (167.6cm) x 42" (106.7cm) x 22" (55.9cm)
- Acrylic

K-1169



CODES/STANDARDS APPLICABLE

Specified model meets or exceeds the following:

- ANSI Z124.1
- IAPMO/UPC
- State of Massachusetts

COLORS/FINISHES

- 0 White
- Other Refer to Fixtures Price Book for additional colors

Accessories:

- CP Polished Chrome
- PB Polished Brass
- Other Refer to Price Book for additional finishes

SPECIFIED MODEL:

Model	Description	Colors/Finishes		
K-1169	Bath	<input type="checkbox"/> 0 White	<input type="checkbox"/> Other _____	
Recommended Accessories				
K-7161-AF	Drain	<input type="checkbox"/> CP	<input type="checkbox"/> PB	<input type="checkbox"/> Other _____
Optional Accessories				
K-1491	Pillow	<input type="checkbox"/> 0 White	<input type="checkbox"/> Other _____	
K-1601	Footstop	<input type="checkbox"/> 0 White	<input type="checkbox"/> Other _____	

PRODUCT SPECIFICATION:

The bath shall be 66" (167.6cm) in length, 42" (106.7cm) in width, and 22" (55.9cm) in height. Bath shall be made of acrylic. Bath shall be Kohler Model K-1169-_____.

PRODUCT INFORMATION

Fixture*:	basin area	top area	weight
Bathing well	42" (106.7cm) x 27" (68.6cm)	54" (137.2cm) x 30" (76.2cm)	80 lbs. (36.3kg)
	water depth	capacity	
To overflow	16" (40.6cm)	81 gal. (306.6L)	

* Approximate measurements for comparison only.

INSTALLATION NOTES

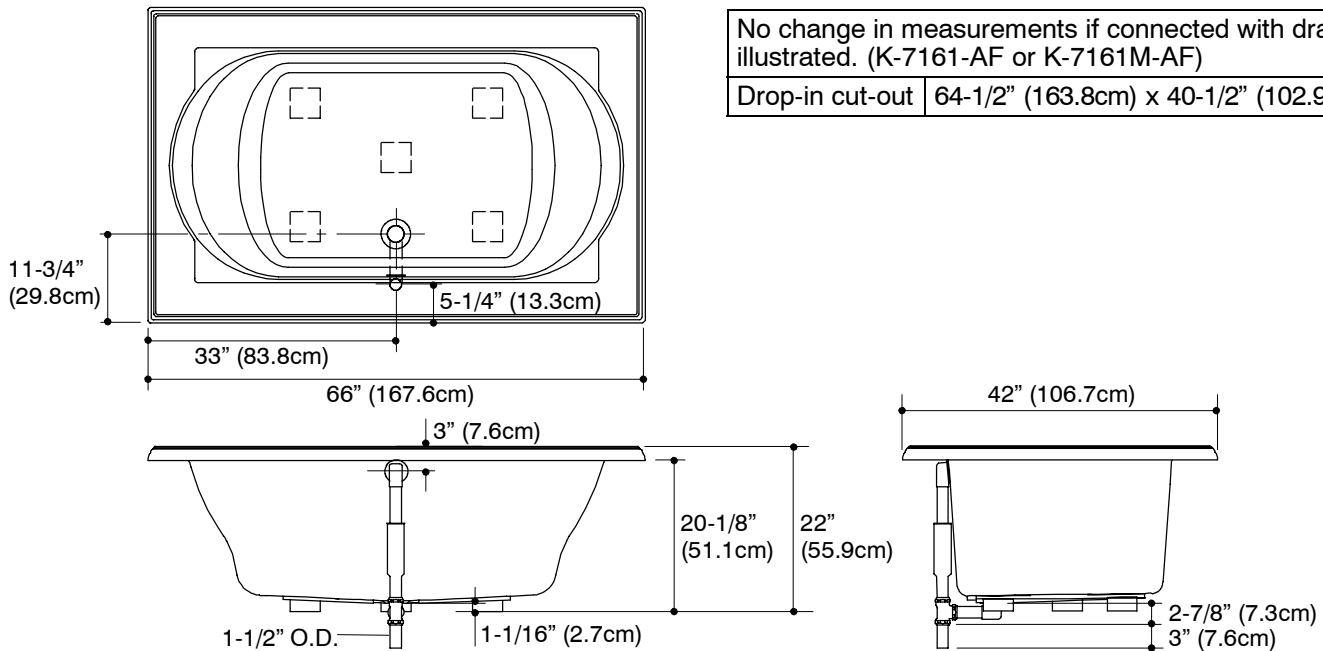
Install this product according to the installation guide.

Floor support under bath must provide for a minimum of 1350 lbs. (612.3kg)

Hot water supply should be 70% of capacity or greater. Installations will vary.

If installing a rim mount faucet, make sure there is no interference with drain overflow before drilling any holes. Consult local and national codes for minimum air gap requirements if installing a spout on the faucet deck.

This bath is designed for drop-in installation only. It is not suited for use in a three wall alcove with an overhead shower.



PRODUCT DIAGRAM