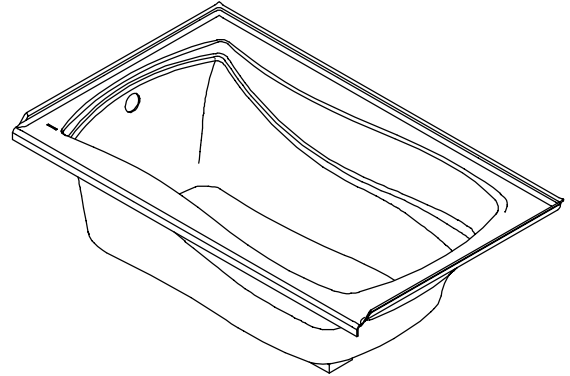


### FEATURES

- 60" x 36" x 20"
- Acrylic
- Left or right outlet
- Optional K-1278 front apron
- Optional K-1491 removable pillow



### CODES/STANDARDS APPLICABLE

Specified model meets or exceeds the following:

- ANSI Z124.1
- IAPMO/UPC
- Canadian Standards Association (CSA)
- State of Massachusetts

### COLORS/FINISHES

- 0 White
- Other Refer to Fixtures Price Book for additional colors

#### Accessories:

- CP Polished Chrome
- PB Polished Brass
- Other Refer to Price Book for additional finishes

### SPECIFIED MODEL:

Model	Description	Colors/Finishes	
K-1242-L	Bath with left outlet, integral flange	<input type="checkbox"/> 0 White	<input type="checkbox"/> Other_____
K-1242-R	Bath with right outlet, integral flange	<input type="checkbox"/> 0 White	<input type="checkbox"/> Other_____
K-1242	Bath, drop-in rim style	<input type="checkbox"/> 0 White	<input type="checkbox"/> Other_____

Recommended Accessories			
K-7161-AF	Drain	<input type="checkbox"/> CP	<input type="checkbox"/> PB <input type="checkbox"/> Other_____

Optional Accessories			
K-1278	Apron (removable)	<input type="checkbox"/> 0 White	<input type="checkbox"/> Other_____
K-1491	Pillow	<input type="checkbox"/> 0 White	<input type="checkbox"/> Other_____

### PRODUCT SPECIFICATION:

The bath shall be 60" in length, 36" in width, and 20" in height. Bath shall be made of acrylic. Bath shall have left or right outlet. Bath shall have optional K-1278 front apron. Bath shall have optional K-1491 removable pillow. Bath shall be Kohler Model K-1242-\_\_\_\_\_-\_\_\_\_\_.

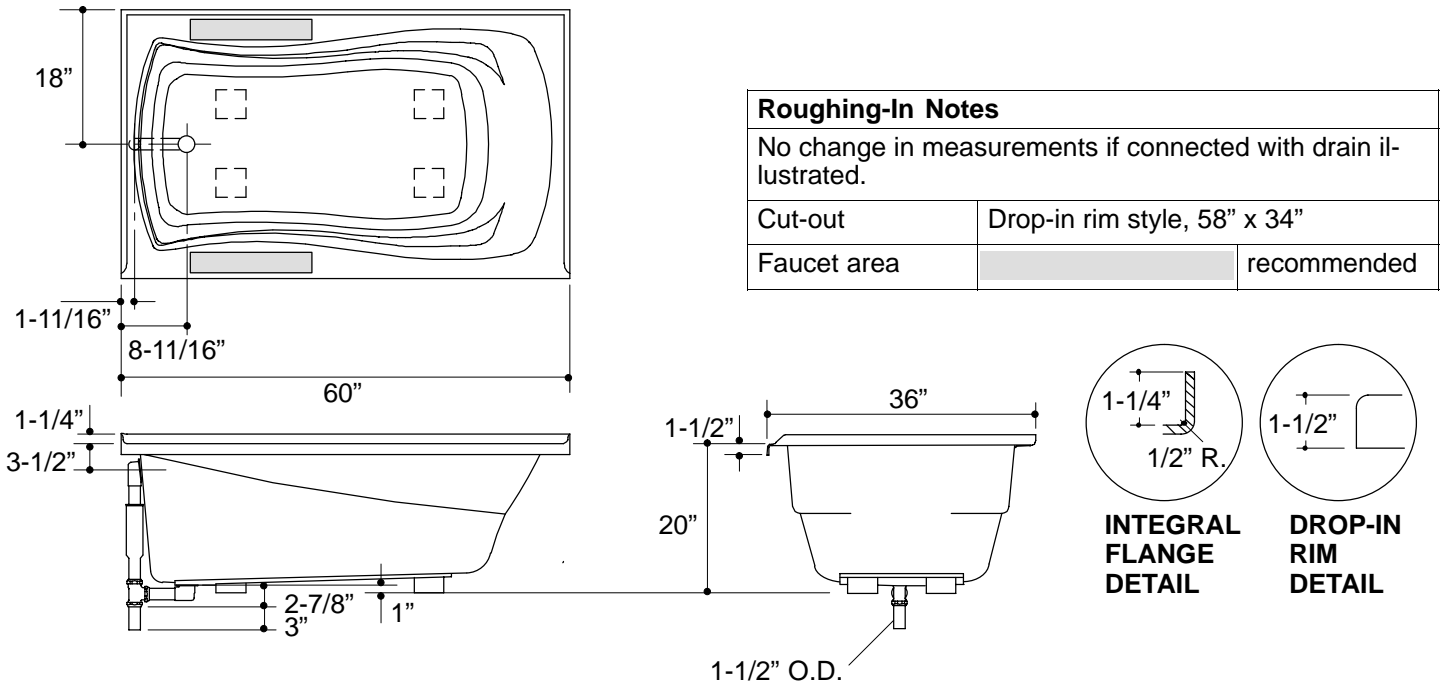
# MARIPOSA™

## PRODUCT INFORMATION

Fixture*:	basin area	top area	weight
Bathing well	46" x 24"	54" x 27"	62 lbs.
	water depth	capacity	
To overflow	14"	63 gal.	
* Approximate measurements for comparison only.			

## INSTALLATION NOTES

The apron must be installed before the finish floor and wall materials are installed.



1.25>132

## PRODUCT DIAGRAM