

Features

- Cast iron with Safeguard® finish
- Left or right drain
- Three tile-in flanges
- Alcove installation
- Available in two patterns
- Complements traditional and contemporary bathroom designs
- 60" (152.4 cm) x 30" (76.2 cm) x 3" (7.6 cm)

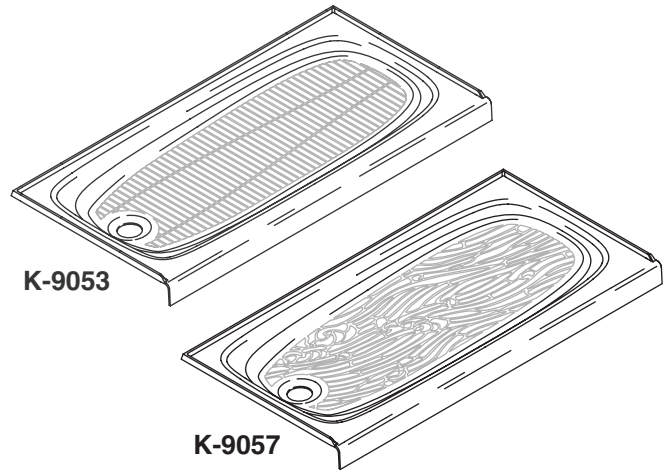
Codes/Standards Applicable

Specified model meets or exceeds the following:

- IAPMO/UPC
- ASME A112.19.1M
- CSA B45
- CSA International

SHOWER RECEPTOR K-9053

ALSO K-9054, K-9057, K-9058



Colors/Finishes

- 0: White
- Other: Refer to Price Book for additional colors/finishes

Accessories:

- CP: Polished Chrome
- PB: Polished Brass
- Other: Refer to Price Book for additional colors/finishes

Specified Model

Model	Description	Colors/Finishes	
K-9053	Receptor with left drain (shown)	<input type="checkbox"/> 0	<input type="checkbox"/> Other _____
K-9054	Receptor with right drain	<input type="checkbox"/> 0	<input type="checkbox"/> Other _____
K-9057	Receptor with left drain (shown)	<input type="checkbox"/> 0	<input type="checkbox"/> Other _____
K-9058	Receptor with right drain	<input type="checkbox"/> 0	<input type="checkbox"/> Other _____

Recommended Accessories				
K-9132	Grid drain	<input type="checkbox"/> CP	<input type="checkbox"/> PB	<input type="checkbox"/> Other _____

Product Specification

The cast iron shower receptor shall be 60" (152.4 cm) in length, 30" (76.2 cm) in width, and 3" (7.6 cm) in height. Product shall feature a Safeguard finish and three tile-in flanges. Product shall be for alcove installations. Product shall complement traditional and contemporary bathroom designs. Product shall be available with left or right drain. Product shall be available in two patterns. Product shall be Kohler Model K-_____-_____.

SALIENT™

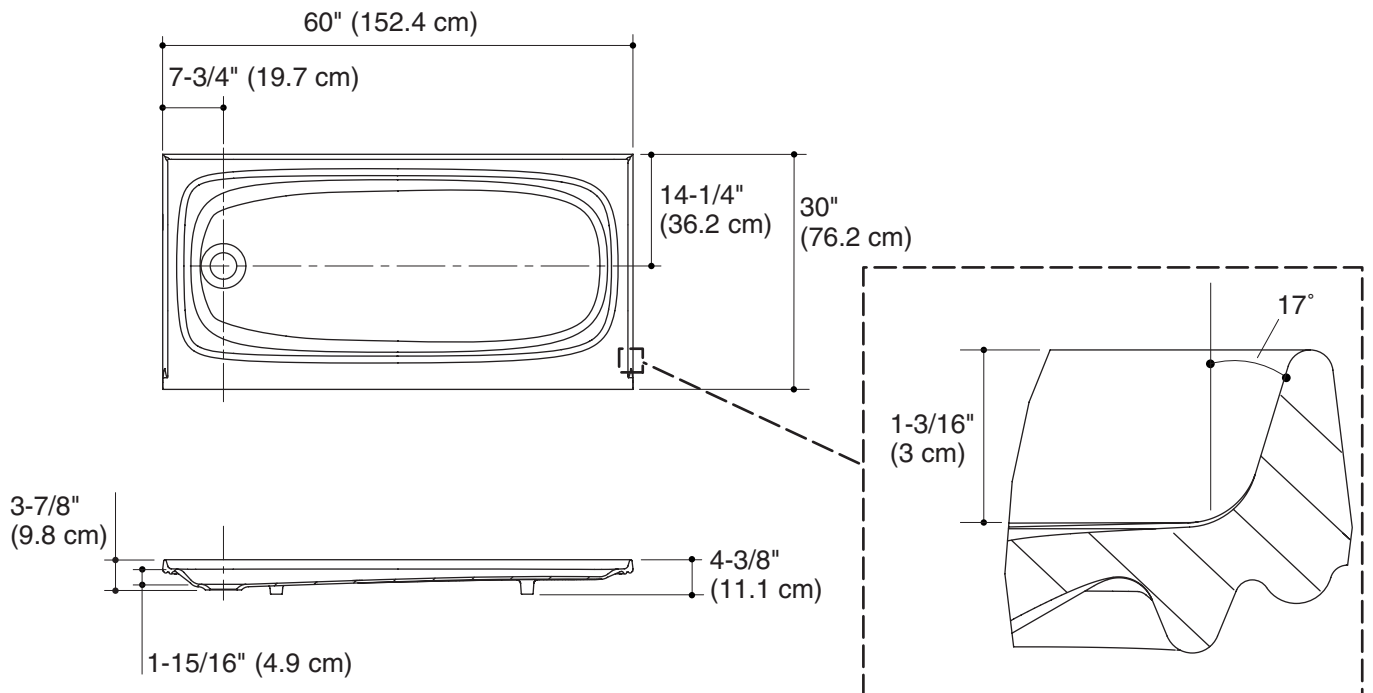
Technical Information

Fixture*:	
Configuration	one-piece
Weight	193 lbs (87.5 kg)
Drain hole	3-3/8" (8.6 cm) D.
* Approximate measurements for comparison only.	

Installation Notes

Install this product according to the installation guide.

The dimensions are applicable for this product only and should not be used to fabricate substitute bases for shower enclosures.



Product Diagram